



LESLIE'S PRO

THE NATIONWIDE LEADER FOR CLEAN, SAFE, AND BEAUTIFUL WATER.



2024 CATALOG



Commercial Service Centers

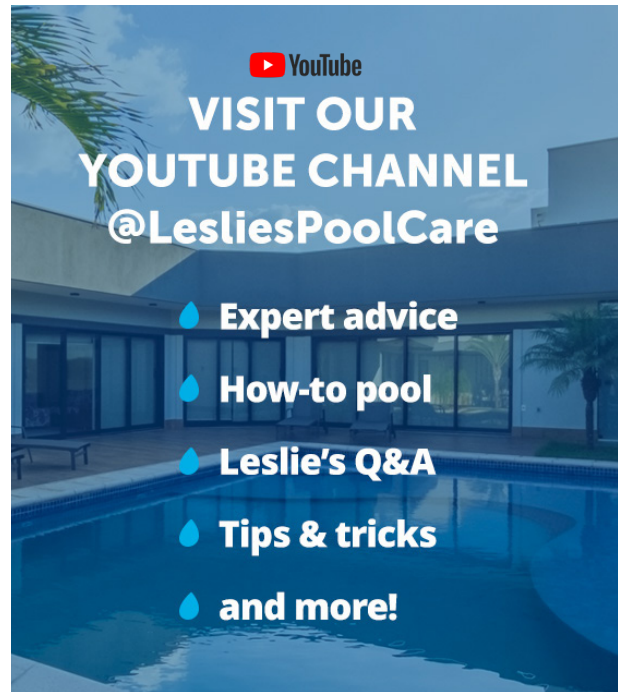
Find your nearest store at www.lesliespool.com/stores.htm LesliesPool.com/stores.htm

Leslie's offers a nationwide solution for maintaining clean, safe, and beautiful water. Our trusted certified technicians will partner with you to understand your business and provide consultative services to help care for your water needs.

We have local Commercial Service Center teams to provide water-treatment advice, an extensive product mix specific to installation and treatment of commercial water, and equipment services.

For help with answers ranging from water and education questions to local code and chemical supply or costs, and everything in between, Leslie's Commercial Service Centers can help.

Click here to **Connect with your Account Manager**



ARIZONA

Phoenix	store3000@lesl.com	602.438.2666
Tucson	store3017@lesl.com	520.887.5446

CALIFORNIA

Anaheim	store3009@lesl.com	714.578.0631
Ontario	store3016@lesl.com	909.390.7767
Palm Springs	store3020@lesl.com	760.325.2115
Sacramento	store3010@lesl.com	916.564.4277
San Diego	store3015@lesl.com	858.202.0257

NEVADA

Las Vegas	store3001@lesl.com	702.387.9333
-----------	--	--------------

TEXAS

Arlington	store3008@lesl.com	817.652.7406
Dallas	store3003@lesl.com	214.553.0384
N. Houston	store3014@lesl.com	281.821.9501
S. Houston	store3004@lesl.com	832.251.8503
San Antonio	store3012@lesl.com	210.651.1500

GEORGIA

Atlanta	store3007@lesl.com	770.409.2053
---------	--	--------------

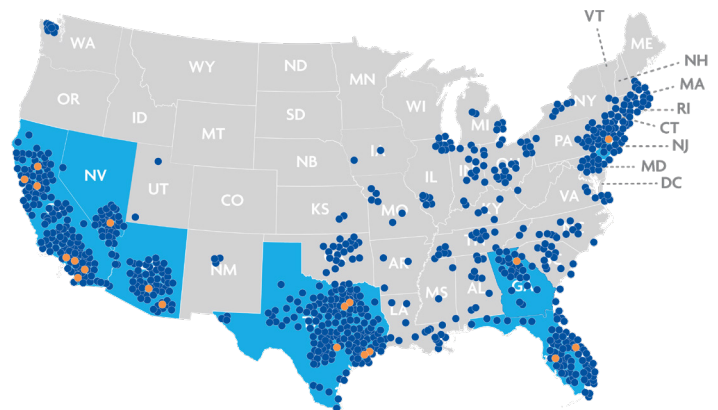
NEW JERSEY

Swedesboro	store3018@lesl.com	856.467.7922
------------	--	--------------

FLORIDA

Orlando	store3002@lesl.com	407.438.2051
Tampa	store3021@lesl.com	813.884.0500

We're the Nation's Largest
Service and Installation Team



Leslie's Pro – Commercial Map

Table of Contents

CSC & STORE LOCATIONS

CSC & Store Locations 2

EQUIPMENT

Automation 4-10

Peristaltic Pumps 11-13

Containment Tank Systems 14

Secondary Sanitizers 15-16

Chemical Feeders 17-18

Salt Solutions 19-20

Pumps & Pump Parts 21-30

Variable Frequency Drive 31

Filters & Filter Parts 32-38

Flowmeters 39

Valves 40-41

Heaters 42-44

Heat Pumps 45

CLEANING EQUIPMENT

Robotic Cleaners 46-49

Portable Pool Cleaners & Vacuums 50

Vacuum Hoses/Heads 51

Brushes/Skimmer/Rakes/Poles 52

Cleaning Accessories 53

FURNITURE

All Furniture 54-77

Chairs 54-75

Lounges 55-70

Collections 67-72

Benches 68, 72

Tables 75

Umbrellas 76-77

CHEMICALS

Sanitizers

TriChlor 78

Bromine 79

Calcium Hypochlorite 80

Sodium Hypochlorite 81

Water Balancing Chemicals

Soda Ash 81

Sodium Bicarbonate 81

Sodium Sulfate 81

Muriatic Acid 81

Calcium Chloride 81

Cyanuric Acid 81

Specialty Chemicals

Water Clarifier 82

Stain & Scale Preventer 82

SeaKlear 82

Natural Chemistry 83

Algae Removers 84

Maytronics Specialty Chemicals 85

TESTING KITS & REAGENTS

Taylor Test Kits 86

Lamotte Test Kits & Reagents 88-91

Leslie's Pool & Spa Strips 90

LIGHTING

LED Pool Lights 92-94

MISCELLANEOUS PARTS

Miscellaneous Parts 95-98

Skimmers 96

Pool & Deck Paint 97-98

Spa Maintenance 99-100

SAFETY

Lifeguard Chairs/Platforms 101

Signs & Depth Markers 102-103

Safety & Rescue Equipment 104

Depth Markers 105

Anti-Entrapment Drain Covers 106

Miscellaneous Safety 107

POOL ACCESS EQUIPMENT (ADA)

ADA Pool Lifts 108-111

ADA Pool Access Chairs 112

COVERS

Solar Products & Accessories 113

Safety Covers 114

Thermal Covers 115

LADDERS & RAILS

Handrails 116

Ladders 117

RECREATION

Lane Lines & Storage Reels 118-119

Diving Platforms & Boards 120

Starting Platforms 121

Pool Sports 122

Foam Floats 123

PARTS

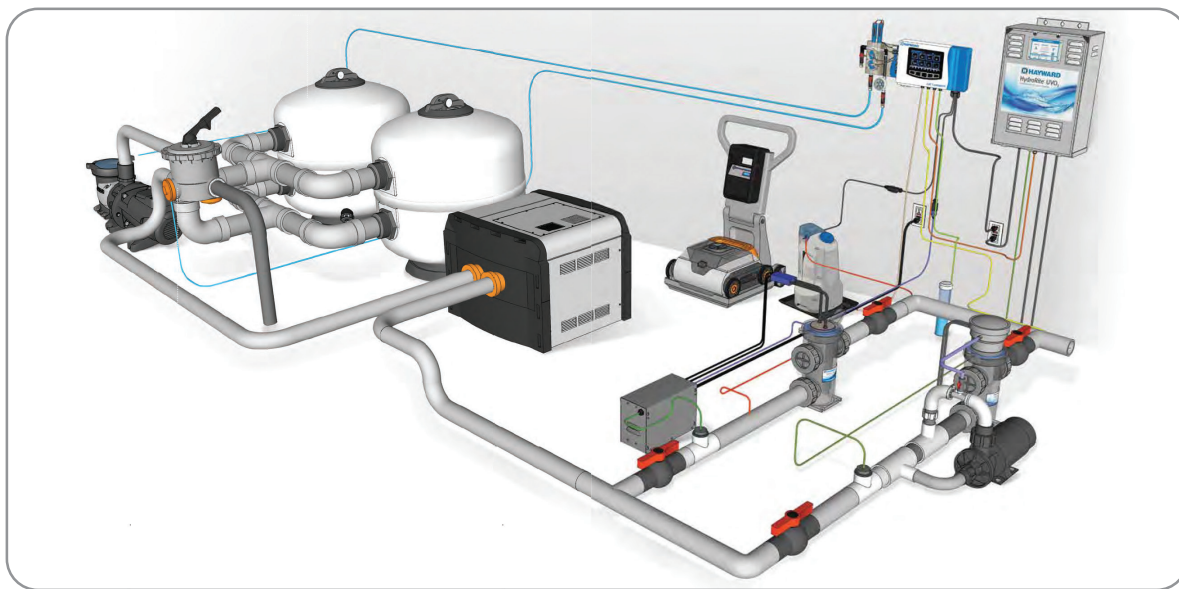
Parts Table of Contents 124

Parts 125-215



Small Mechanical Room

Complete System Solutions



CAT 6000 Wireless Water Chemistry Controller

WITH TRUE FREE CHLORINE MONITORING

Built with a low-maintenance true free chlorine sensor, solid-state sensing technology and Dynamic Sanitizer Control



HydroRite UVO₃ Advanced Water Treatment System

ELIMINATE 99.9% OF BACTERIA FOR 100% PEACE OF MIND

Utilizing UV, Ozone and Advanced Oxidants to drastically reduce the threat of deadly recreational waterborne illnesses



HCP 3000 Series Pumps

Engineered for heavy-duty durability, they set a new flow rate standard for the 3" union class. A variety of power options from 2 to 7 HP, including single- or 3-phase and single or variable speed



Filter Accessories

HCF Series Sand Filters can be installed individually or configured in multi-filter banks to suit the filtration requirements of any swimming pool or spa. Hayward Multiport Valves simplify installation and operation and are engineered for maximum flow and minimal pressure drop. The six-position valves facilitate selection of filter, backwash, waste, rinse, closed or recirculate modes at the turn of a single lever.



Saline C Series

The new Saline C 11.0 model is capable of generating 11 lbs of chlorine per day, complementing the current Saline C 6.0, which is capable of generating 6 lbs per day



HCF Series Sand Filters

Designed to improve filtration and lengthen filter cycles, they also include a UV-protected gel coat that shields the filter against the elements, as well as algae blooms



Universal H-Series Gas Heaters

The flagship of our H-Series line encompasses high-end features and construction materials as standard. They combine industry-leading hydraulics, exceptional performance, energy efficiency and reliability with NOx emissions.

BEST IN CLASS CHEMICAL AUTOMATION.

PACKAGE A - LIQUID



HCC 4000 PH & ORP CONTROLLER (WI-FI®)
SKU# 959665

- » Wireless transmits an infinite amount of chemical readings to the Hayward PoolComm® app - Bi-directional
- » Internally stores and displays daily average up to 10 days (Title 22 Compliant) NSF/ANSI Standard 50 Certified
- » Completely assembled, including sensors & an in-line filter
- » Calculates derived free chlorine (PPM)
- » Gold tips mean less electronic noise and less sensitivity to chemical bounce



**FIXED 50GPD PERISTALTIC PUMP (1)
LIQUID CHLORINE PUMP (1) LIQUID
MURIATIC ACID PUMP**
SKU# 955650



PACKAGE B - LIQUID & CAL HYPO FEEDER

**HCC 4000 PH & ORP CONTROLLER
(WI-FI®)**
SKU# 959665



**FIXED 50GPD PERISTALTIC PUMP (1)
LIQUID CHLORINE PUMP (1) LIQUID
MURIATIC ACID PUMP**
SKU# 955650



CAL HYPO TAB FEEDER
CCH® ENDURANCE (SKU# 540031) *OR*
CCH® ELITE (SKU# 952884)



UPGRADE SOLUTIONS

**HYDRORITE® UV, OZONE,
AND HYDROXYL RADICALS**
SKU# 404737

- » Reduces irritating chloramines significantly, improving indoor air quality and enhancing swimmer experience
- » Versatile vessel allows for vertical or horizontal in-line installation



**TRISTAR® 2500
ULTRA-HIGH
EFFICIENCY
2.7 HP PUMP**
SKU# 340138



- » Totally Enclosed Fan Cooled Motor (TEFC)
- » Digital control interface can be detached, & wall mounted
- » Dual-voltage capability (115V/230V) offers more versatility for installation

**SALINE C 6.0
CHLORINE
GENERATOR**
SKU# 81519



- » Produces 6lbs. of Chlorine per day
- » Plug N' Play compact design, single cell & power supply
- » Industrial-grade, clear vessel inspection, self-cleaning technology

**CRYSTALOGIC® WHITE LED
BULB, 120V, 300-500W
EQUIVALENT**
SKU# 958265



- » Saves 86% more energy than an incandescent bulb
- » Longer-lasting, 10X the life of a typical incandescent bulb
- » R40 LED bulb replaces any 500W incandescent bulb for an easy, energy-efficient upgrade

**CAT CONTROLLERS®
PH & ORP SENSORS,
24 IN CABLE**
PH (SKU# 369786) *OR*
ORP (SKU# 81580)



- » Compatible with virtually all chemical controllers as a system upgrade
- » Superior protection against infusion & diffusion
- » Low maintenance Porous Teflon® fluid junction
- » Poly-Pro solid polymer technology

**ACID & LIQUID CHLORINE
FEED SYSTEMS**
ACID (SKU# 368615) *OR*
CHLORINE (SKU# 368365)



- » Large Capacity 15-gallon tank and 31 gallons per day peristaltic pump capable of automatically dispensing acid (for pH control) or liquid chlorine (for sanitization) can be used with Hayward Commercial HCC Controllers

WANT TO LEARN MORE? Email commercial@lesl.com to be connected with your local resource or contact one of our representatives for more information.

Hayward, Hayward & Design, the H logo, CAT Controllers, CrystaLogic, HydroRite, PoolComm and TriStar are registered trademarks of Hayward Industries, Inc. ENERGY STAR is a registered mark owned by the U.S. government. CCH® and CCH® Logos are trademarks of Innovative Water Care, LLC or its affiliates. All other trademarks not owned by Hayward are the property of their respective owners. Hayward is not in any way affiliated with or endorsed by those third parties.
© 2023 Hayward Industries, Inc.

[Click here to Connect with your Account Manager](#)



Total System Access From Absolutely Anywhere

Take the power of CAT 6000 wherever you go with the innovative PoolComm® app. Whether you're managing a single spa or multiple commercial pools, PoolComm lets you view water quality data, print charts, analyze graphs—even receive alarms via email or text from any iPhone,® Android™ or other web-enabled smart device.



CAT Controller Model Guide

	CAT 2000®	CAT 2000® (PP2000)	CAT 3500®	CAT 4000®	CAT 5000®	CAT 5500®	CAT 6000®	
Monitoring and Controls	pH	•	•	•	•	•	•	
	ORP	•	•	•	•	•	•	
	Temp			•	•	•	•	
	Water Level			•	•	•	•	
	Tank Level			•	•	•	•	
	Digital Flow			•	•	•	•	
	Total Dissolved Solids			•	•	•	•	
	NaCl (Salt)			•	•	•	•	
Features and Capabilities	Backup Sanitization			•	•	•	•	
	Auxiliary Relays			1	1	2	2	
	PVC Backboard		•	•	•	•	•	
	Flow Cell/Flow Sensor		•	•	•	•	•	
	Installation Kit ¹		•	•	•	•	•	
	Wireless, Web-based Communications ²				Wi-Fi and Cellular	Wi-Fi Cellular and Satellite	Wi-Fi Cellular and Satellite	Wi-Fi and Cellular
	Gold ORP Sensor (for Salt Chlorination) ³	Optional	Optional	•	Optional	Optional	•	•
	Machined Flow Cell & Rotary Flow Sensor ⁴	Optional	•	Optional	Optional	Optional	Optional	•

¹ Installation kit includes two quick connect fittings and 30' of 3/8" OD poly tubing.

² Specify transceiver type when ordering.

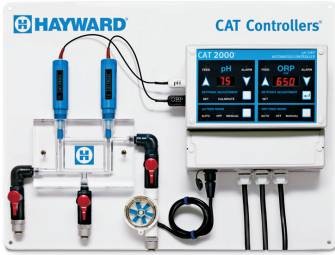
³ Specify -AU option for Gold ORP Sensor.

⁴ Specify -075 option for Machined Acrylic Flow Cell with Rotary Flow Sensor.

Part Numbers	Description	Part Numbers	Description
CAT2000 - 360540	CAT 2000® Standard Package*	CATPP5000WIFI	CAT 5000 Professional Package** with Temp. – Wi-Fi
CATPP2000 - 81504	CAT 2000 Professional Package***	CATPP5000CELL	CAT 5000 Professional Package** with Temp. – Cell
CATPP35000	CAT 3500® Professional Package** with Temp/Cond/NaCl Display	CATPP5000SAT	CAT 5000 Professional Package** with Temp. – Satellite
CATPP5500WIFI - 379244	CAT 5500® Professional Package** with Temp/TDS/NaCl Display - Wi-Fi	CATPP5000WIFIUL - 958527	CAT 5000 Standard Package* with Temp. – Wi-Fi and UL Listed – No Power Cords
CATPP55000CELL	CAT 5500 Professional Package** with Temp/TDS/NaCl Display - Cell	CAT-5000-CELLUL	CAT 5000 Standard Package* with Temp. – Cell and UL Listed – No Power Cords
CAT4000-WIFI - 81480	CAT 4000® Standard Package* with Wi-Fi	CAT5000SATUL	CAT 5000 Standard Package* with Temp. – Satellite and UL Listed – No Power Cords
CAT4000-CELL - 81481	CAT 4000 Standard Package* with Cell	CATPP5000WIFIUL	CAT 5000 Professional Package** with Temp. – Wi-Fi and UL Listed – No Power Cords
CATPP4000WIFI - 956051	CAT 4000 Professional Package** with Wi-Fi	CATPP5000CELLUL	CAT 5000 Professional Package** with Temp. – Wi-Fi and UL Listed – No Power Cords
CATPP40000CELL	CAT 4000 Professional Package** with Cell	CATPP5000SATUL	CAT 5000 Professional Package** with Temp. – Wi-Fi and UL Listed – No Power Cords
CAT-5000-WIFI - 903448	CAT 5000® Standard Package* with Temp. – Wi-Fi	CATPP5500WIFI - 379244	CAT 5500® Professional Package** with Temp/TDS/NaCl Display - Wi-Fi
CAT-5000-CELL	CAT 5000 Standard Package* with Temp. – Cell	CATPP55000CELL	CAT 5500 Professional Package** with Temp/TDS/NaCl Display - Cell
CAT5000SAT	CAT 5000 Standard Package* with Temp. – Satellite	CATPP6000WIFICF - 958413	CAT 6000™ with Free Chlorine Sensor, Temp, Cond, NaCl, Wi-Fi, Machined Flow Cell & RFS

*Standard Package includes Molded Flow Cell and float-Style Flow Sensor **Professional Package includes Machined Acrylic flow Cell and Rotary Flow Sensor SKU 98189 Air Time (Optional) Per Month

Best Seller



CAT Controller – 2000

Constantly monitors pH and sanitizer activity (chlorine, bromine, even salt systems) and automatically implements chemical feeding in proportion to demand for picture-perfect water quality at all times.

- Digital, microprocessor-based design with flash technology
- Advanced Control Features including proportional feed
- Weatherproof membrane switch front panel interface
- All factory settings are permanently stored in memory
- Simple installation, setup & operation
- Compatible with all types of chemical feed equipment
- Dry-contact outputs provided for salt-chlorine systems
- 5-year limited warranty on controller; 2-year limited warranty on sensors



CAT Controller – 3500

TDS and Salt monitoring. The controller is equipped with state-of-the-art sensing and control capabilities tailored specifically for salt chlorine applications. Powerful and intuitive, these new models offer the utmost in convenience in pH, ORP, conductivity/NaCl, backup sanitization & temperature. Features wireless Wi-Fi communications.

- Dual sanitizer set points for back-up ORP control; temperature sensor for heater control
- Auxiliary relay for control versatility
- Comes with professional Series pH, ORP and Conductivity sensors for unsurpassed performance
- Perfect complement to Saline C Series Salt Chlorine Generators
- 5-year limited warranty on controller; 2-year warranty on sensors



CAT Controller – 4000

Wireless commercial remote water quality controller. The controller provides picture-perfect water quality on-site & remote monitoring via the Internet or web-enabled mobile device. You can easily log onto PoolComm to activate your wireless account and begin monitoring your water quality. You can view water quality data, print charts, analyze graphs, customize your settings and receive notifications via email or SMS.

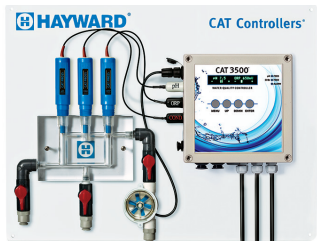
- Wireless Wi-Fi communications
- Automatic data logging, remote adjustments & alarms via web interface
- Includes microprocessor based pH/ORP controller, heavy duty 2 year sensors, flow cell with fail safe Rotary flow sensor pre mounted on PVC



CAT Controller – 5000

The CAT 5000 is the world's first wireless, internet based water quality controller employing both satellite and terrestrial communications to provide worldwide coverage.

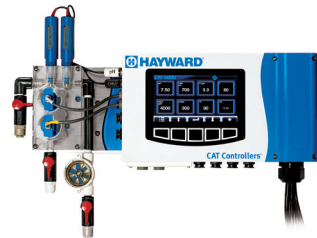
- State-of-the-art micro-processor based technology with integrated Wi-Fi communications. (Additional fee required—Air time fee per month)
- Eliminates the cost of installing and maintaining dedicated analog telephone lines
- 4 different wireless communication protocols ranging from Wi-Fi®, Reflex, Cellular to Satellite
- You can monitor & maintain via web from any internet-enabled computer, mobile device, or PoolComm App for iPhone® & Android®



CAT Controller – 5500

Discover the latest in powerful water chemistry controllers complete with TDS and Salt monitoring. Wireless, communicating controller are equipped with state-of-the-art sensing and control capabilities tailored specifically for salt chlorine applications. Powerful and intuitive, these new models offer the utmost in convenience in pH, ORP, conductivity/NaCl, backup sanitization and internet-based monitoring.

- pH and ORP controller with conductivity/NaCl monitoring
- Dual sanitizer set points for back-up ORP control; temperature sensor for heater control
- Perfect complement to Saline C® 6.0 Salt Chlorine Generator
- 5-year limited warranty on controller; 2-year warranty on sensors



Cat Controller - 6000

Built with a low-maintenance true free chlorine sensor, solid-state sensing technology and Dynamic Sanitizer Control, CAT 6000 is designed to provide effortlessly precise water chemistry readouts you can trust.

- Dynamic Sanitizer Control fine tunes water chemistry like never before
- Solid-state sensing technology* offers unmatched reliability and accuracy (PPM, TEMP, and COND sensors only)
- Low-maintenance true free chlorine sensor provides an added level of confidence
- Intuitive full-color touchscreen interface makes operation simple & straightforward
- Audit and monitor energy consumption data to maximize efficiency
- Built-in Wi-Fi and cellular connectivity** provide remote system access from anywhere
- ANSI Standard 50 Certified

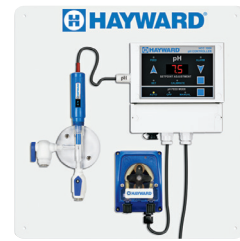


HCC 2000 Controller

Perfect for swimming pools, spas, and water features, the HCC 2000 is a powerful yet affordable microprocessor-based pH and ORP water chemistry controller. The controller features proportional feed to ensure precise water chemistry maintenance, and operates using the Oxidation-Reduction Potential (ORP) method of water analysis to ensure rapid deactivation of such waterborne pathogens as E. coli in swimming pool water.

- Comes with chemical feed equipment compatible with all existing chemical feed systems; chlorine, bromine, electronic chlorine (salt) generators, acid and CO2
- Complete package offers a total chemical automation system for easy installation and ultimate convenience
- 1-year limited warranty on controller and factory labor

HCC 2000 Water Chemistry Controller
HCC 200-CP Complete Water Chemistry Controller Package



HCC 1000 pH Controller

The HCC 1000 is a single channel pH water chemistry controller that provides powerful technology in a simple, affordable package.

- Perfect for new and existing applications, especially saltwater pools
 - Automation eliminates time and risks of making manual pH measurements and adjustments
 - Proper pH maintenance enhances chlorine effectiveness, bather comfort and safety
 - 1-year limited warranty on controller and factory labor
- S/O HCC 1000 pH Controller With Pre-Mounted Chemical Feed Pumps*
HCC1000 Automated pHController
HCC100-CP HaCC 100 Water Chemistry Controller Package

CAT Controller – Probes

81580 ORP Probe 24" Cable
81576 pH Probe 24" Cable
81578 ORP Probe Gold 24" Cable



Automated pH with Dual ORP Controller Free Web-based Monitoring Logs & Displays FAC (PPM)
 920CA - 386323, 920CA WiFi - 954072
 920LCA -386325, 920L CA WiFi - 954073



Automated pH with Dual ORP Controller
 M820 - 386327
 M820L - 957202



Automated pH with Dual ORP Controller Free Web-based Monitoring
 M920 - 905721, M920 WiFi - 953022
 M920L - 386324, M920L WiFi - 954073



Automated pH with ORP Controller
 M790 - 95163
 M790L - 954748



Automated pH Controller
 M770 - 952247
 M770L - 952248

An IPS Controller is made of the following four key components and is delivered along with an in-line filter, 25 feet of tubing and all items needed for installation:

- The flow cell captures a water sample for analysis
- Sensors analyze the pH and ORP in the flow cell
- The Controller receives information from the sensors and compares it to the programmed settings. If chemical adjustments are needed, the controller will signal the chemical pump, salt chlorine generator, or other feeding devices
- Our digital, LED display allows you to adjust values for dosing times, pH and ORP target levels, high/low alerts, and overfeed settings. It also displays the status of chemical control functions. Some models display temperature and emit external visual and audible alarms

Remote Monitoring

Remote Monitoring Website allows you to access from your smart phone or tablet

One or more users at the same time can make changes to programming parameters and other settings like timing for ORP and temperature readings

Remote Monitoring requires internet access and is a standard feature for the IPS-M920 and M920CA controllers. Optional upgrade available for the IPS-M820

Reliability, Guaranteed

All IPS controllers are backed by a 5-year limited warranty and any technical support or training you need

Product Specifications	M920 ^{CA}	M920	M820	M7901	M770
Attribute					
pH set level 7.0- 8.0	•	•	•	•	•
Default high/low alert settings	•		•	•	•
Readout – LED with digital display	•	•	•	•	•
Alarm – LED alert display	•	•	•	•	•
Push button high/low alert adjustment	•	•	•	•	•
Dose Rate – timed or continuous		•	•	•	•
Electrical Input/Output 110 VAC	•			•	•
System Pre mounted for easy install	•	•	•	•	•
Compatible with all sanitizing methods	•	•			•
Can be used with Muriatic Acid or CO ₂	•	•	•	•	•
ORP set level 400-900	•	•	•	•	
Gold-tipped ORP probe for salt pools	•	•	•	•	
Push button overfeed adjustment	•	•	•		
Electrical Input/Output 230 VAC	•	•	•		
Electrical Output 110V, 230V, & Dry Contact	•	•	•		
Delay time – 1-99 minutes	•	•	•		
Tank level inputs – 2	•	•	•		
Dual ORP, for secondary sanitizer	•	•	•		
Lock-out feature	•	•	•		
Web-based remote monitoring & programming	•	•	•		
Built-in WiFi (M920w)	•	•	Avail. Opt.		
Temperature monitoring and display	•	•	•		
FAC (PPM) storage & display (requires internet connection)	•				
Stores & displays Cyanuric Acid level	•				
External visual and audible alarm	Avail. Opt.	Avail. Opt.	Avail. Opt.		
Outdoor Weather Shield	Avail. Opt.	Avail. Opt.	Avail. Opt.	Avail. Opt.	Avail. Opt.

Temp Sensor - 380438
 pH Probe - 380437

ORP Probe - 959730



Digital pH/ORP Controller

Includes: Controller, flow cell with flow switch, probes, 3/8" tubing and fittings
MODEL RC554XP
324502



Digital pH/Dual ORP Controller

Includes: Controller, flow cell with flow switch, probes, 3/8" tubing and fittings
MODEL RC554XXP
381540

Model/Features	pHControl	ORP	Feed Cycle
Factory Setting	7.4	650 mV	.6 sec.
Display Range	6.8-8.2	0-995 mV	
Setpoint Range	7.0-8.0	400-900 mV	
Feed Cycles	.6 to 900 seconds w/5-min analyzation periods		
Power	120V corded		
Feed	Timed or Continuous		
Maximum Output	5 amps		

Model/Features	pH Control	ORP	ORP2	Feed Cycle
Factory Setting	7.4	650 mV	640 mV	.6 sec
Display Range	6.8-8.2	0-995 mV	0-995 mV	
Setpoint Range	7.0-8.0	400-900 mV		
Feed Cycles	.6 to 900 seconds w/5-min analyzation periods			
Power	120V corded			
Feed	Timed or Continuous			
Maximum Output	3.15 Amps			

INCLUDES: Controller, flow cell with flow switch, probes, 3/8" tubing and fittings.



Model RC554M Controller Remote Monitor P/N 554400

- Monitor is compatible with Rola-Chem Generation II Digital pH/ORP Controllers: RC554XP (manufactured after October 2015) and RC554XXP (manufactured after May 2016)
- Monitor will upload controller data at specific intervals that are set by operator
- Secure website with operator set password
- Serial connection cable from monitor to data port of controller is included

- A hardwired ethernet connection with unrestricted internet access must be available
 - LED lights verify connection to local network (Green) and activity (Amber)
 - Internal reset button—used to reconnect monitor to server
 - Power down will automatically reconnect monitor to server
 - No subscription required
- MODEL RC554M**
902927

READY-TO-MOUNT CONTROLLER SYSTEMS



MODEL SHOWN: 554500

pH Liquid Acid/ORP Liquid Chlorine System

Includes: Programmable Digital pH/ORP Controller complete with Flow Cell, Flow Switch, Sample Valves, ORP and pH Probes, 40' of Black 3/8" Tubing, 100' Clear 7/16" Tubing and Fittings, two Pro Series 300 Peristaltic Pumps 38 GPD, In-line Flow Cell Strainer.

ALSO AVAILABLE:

- S/O UPC 7-57706 00117-5
Includes one 38 GPD & one 12 GPD Peristaltic Pump
- S/O UPC 7-57706 00118-2
Includes two 1 GPD Peristaltic Pumps
- S/O UPC 7-57706 00119-9
Includes two 12 GPD Peristaltic Pumps
- S/O UPC 7-57706 00120-5
Includes one 1 GPD & one 12 GPD Peristaltic Pump
- S/O UPC 7-57706 00123-6
Includes two 77 GPD Peristaltic Pumps
- S/O UPC 7 57706 00126-7
includes one 77 GPD & one 38 GPD Peristaltic Pump



MODEL SHOWN: 554518

Control Two Sanitizer Sources with Digital pH/Dual ORP System

Includes: Programmable Digital pH/Dual ORP Controller complete with Flow Cell, Flow Switch, Sample Valves, ORP and pH Probes, 40' of Black 3/8" Tubing, 100' Clear 7/16" Tubing and Fittings, two Peristaltic Pumps. (38 GPD), In-line Flow Cell Strainer.

ALSO AVAILABLE:

- S/O UPC 7-57706 00132-8
Includes one 38 GPD Peristaltic Pump and one Solenoid Kit
- S/O UPC 7-57706 00133-5
Includes one 38 GPD Peristaltic Pump & one 12 GPD Peristaltic Pump
- S/O UPC 7-57706 00134-2
Includes one 12 GPD and one Solenoid Kit
- S/O UPC 7-57706 00135-9
Includes two 12 GPD Peristaltic Pumps



MODEL SHOWN: 554511

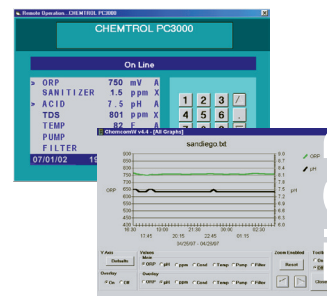
pH/ORP Salt Generator System

Includes: Programmable Digital pH/ORP Controller complete with Flow Cell, Flow Switch, Sample Valves, ORP and pH Probes, 40' of Black 3/8" Tubing, 100' Clear 7/16" Tubing and Fittings, one Peristaltic Pump (38 GPD), In-line Flow Cell Strainer.

ALSO AVAILABLE:

- S/O UPC 7-57706 00122-9
Includes one 12 GPD Peristaltic Pump

DIGITAL CONTROLLERS



Chemtrol™ 250 Controller

- Microprocessor-based digital controller maintains both sanitizer ORP (oxidation-reduction potential or Redox) and water pH in small commercial pools and spas
- Simple to install, long-term reliability
- Adjustable; set points, high & low alarms, overfeed safety timers & proportional feed control
- Housed in waterproof cabinet with clear cover

81299 C 250 Controller

Chemtrol™ 255 Controller

- New solid-state PPM Sensor with selective membrane for Free Chlorine
- Easy to install, simple to use
- Not affected by cyanurates or oxidizers
- No expendable reagents required; no pressure cell
- All set points and alarms are adjustable
- Probes for salt generator applications are available

81296 C 255 Controller

Chemtrol™ PC3000 Controller

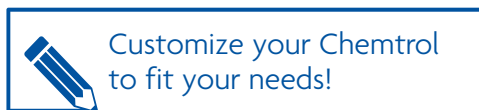
- ORP control of oxidizer with shock and chemical saving programs
- Sanitizer PPM display from ORP and pH
- pH control with acid/base feed and probe rinse program
- Heater control with energy saver program
- Langelier saturation index for water balance
- Automatic data logging for up to 999 tests
- Full screen menus in English, French or Spanish

S/O
81521

Options

- Solid State free chlorine sensor for monitoring and control
- Conductivity/total dissolved solids (TDS) control with autofill capability for salt generators
- Water level control with electronic sensor and fill valve control
- Main pump control and flow rate with cumulative display
- Influent/effluent pressures monitoring with safety alarms
- Remote computer operation and graphic data display
- Modbus communication to building management systems

Chemtrol PC2000, PC2100, PC3000, PC4000, PC4000, PC5000, PC6000 & PC7000 are fully customizable, see options below



Model/Features	pH Control	ORP	PPM Sensor	Conductivity Temperature	Langelier Index	Backwash Programs
PC7000	•	•	•	•	•	•
PC6000	•	•	OPT	•	•	•
PC5000	•	•	•	•	•	•
PC4000	–	–	–	–	–	•
PC3000	•	•	OPT	•	OPT	•
PC2100	•	•	OPT	OPT	–	–
PC2000	•	•	–	OPT	–	–

CHEMTROL FREE-CHLORINE SENSORS

Chemtrol™ PPM Sensors

Introducing new PPM sensors for direct measurement of FREE CHLORINE in water in parts per million (ppm) or milligrams per liter (mg/l). Unlike other chlorine sensors on the market, these sensors are very precise and so reliable that they are covered by a 2-year warranty.

They are easy to install and practically maintenance free. For best water management, it is recommended to use ORP control of chlorine oxidizing activity and PPM monitoring of free chlorine. Alternatively, PPM control can be used for control of the sanitizer and ORP control for a non-chlorine oxidizer.

- Free chlorine measurement including: free chlorine (HOCl and OCl-) and combined isocyanurates if present, corresponding to the DPD1 test.
- pH Range of 5.5 to 9.5
- Temperature range of 5 to 50 C (40 to 120 F)
- Cyanuric acid compatible,
- Pressure range up to 3 bars (45 psi)
- PVC body with 1" MPT fitting
- Replaceable membrane and electrolyte

PPM, ORP and pH

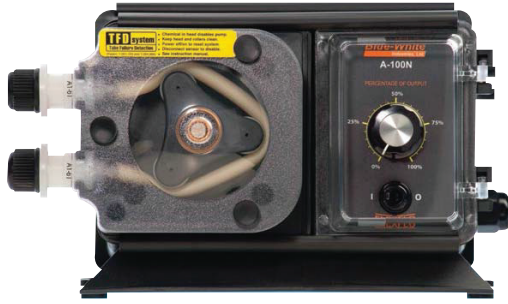
For best results in water management, it is recommended to use both ORP control of free chlorine and PPM monitoring of total and combined chlorine. Alternatively, PPM control can be used for control of the sanitizer and ORP control for an oxidizing agent, such as ozone. The chlorine sensor is now available with the CHEMTROL(R) 255T Digital Controller for PPM and pH.

PARTS



Chemtrol™ Controller Parts

- 81654 ORP Probe (with connectors)
- 81656 pH Probe (with connectors)
- 81657 By-Pass Line
- 81658 Flow Cell Assembly with Flow Switch



A-100NC Analog Fixed Speed

- Precise output control to 20:1 turndown by means of a dial knob
- Adjustable 5 second repeating interval timer (0.25 - 5.0 sec) results in high frequency of small injections per minute

A-100NF Analog Variable Speed

- Manual output control
- Easy Dial knob style – output percentage speed adjustment.
- 15 – 100% output adjustment



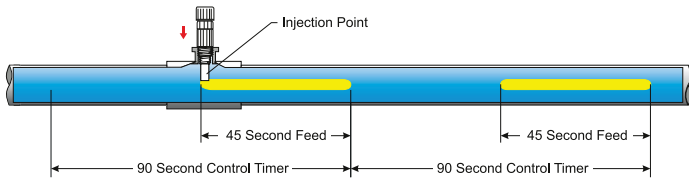
A-100NE Digital Fixed Speed

- Manual output control digital interval timer for 200:1 turndown ratio
- Repeating interval and injection time cycles programmable in seconds, minutes, hours, and days

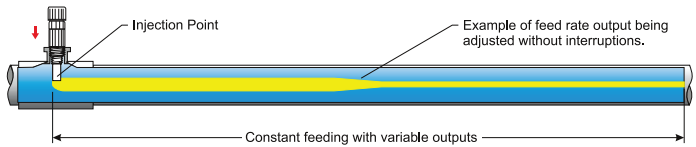
A-100NV Digital Variable Speed

- Manual or Automatic control
- Accepts 4-20mA, 0-10VDC, and pulse input signals
- 1 amp alarm output relay

FIXED SPEED MODELS (intermittent cycle time output)
You control the pumps feed by using timers (built-in or external).



VARIABLE SPEED MODELS (continuous pulse free output)
Continuous pumping, even while adjusting the percentage of output.



Graphical representation of the Variable Speed and Fixed Speed peristaltic pump injection characteristics. NOTE: Your chemical or solution is mixed in the fluid. This image is only illustrating the feed characteristics.

BLUE & WHITE PERISTALTIC PUMPS

FEEDER TANKS



A1A Acid and Liquid Chlorine Feeder

- Easy to install, easy to maintain digital controls for accurate adjustability
- 3-year warranty

- Energy Efficient BLDC Motor
- Compatible with chemical controllers
- Patented Tube Failure Detection System



- NEMA 4X (IP 66) washdown duty
- Optional 7, 15 and 30 gallon system

Feed Rate	Max Pressure	Max Temp	115V AC Model	230V AC Model
0.01 - 100 GPD	40 PSI	185° F	A1A4-7T	A1A5-7T

A2A Acid and Liquid Chlorine Feeder

- Designed for high volume applications
- Digital controls for accurate adjustability
- Patented tube failure detection
- Compatible with controllers
- 3 year warranty



Chemical Feed Tank Parts

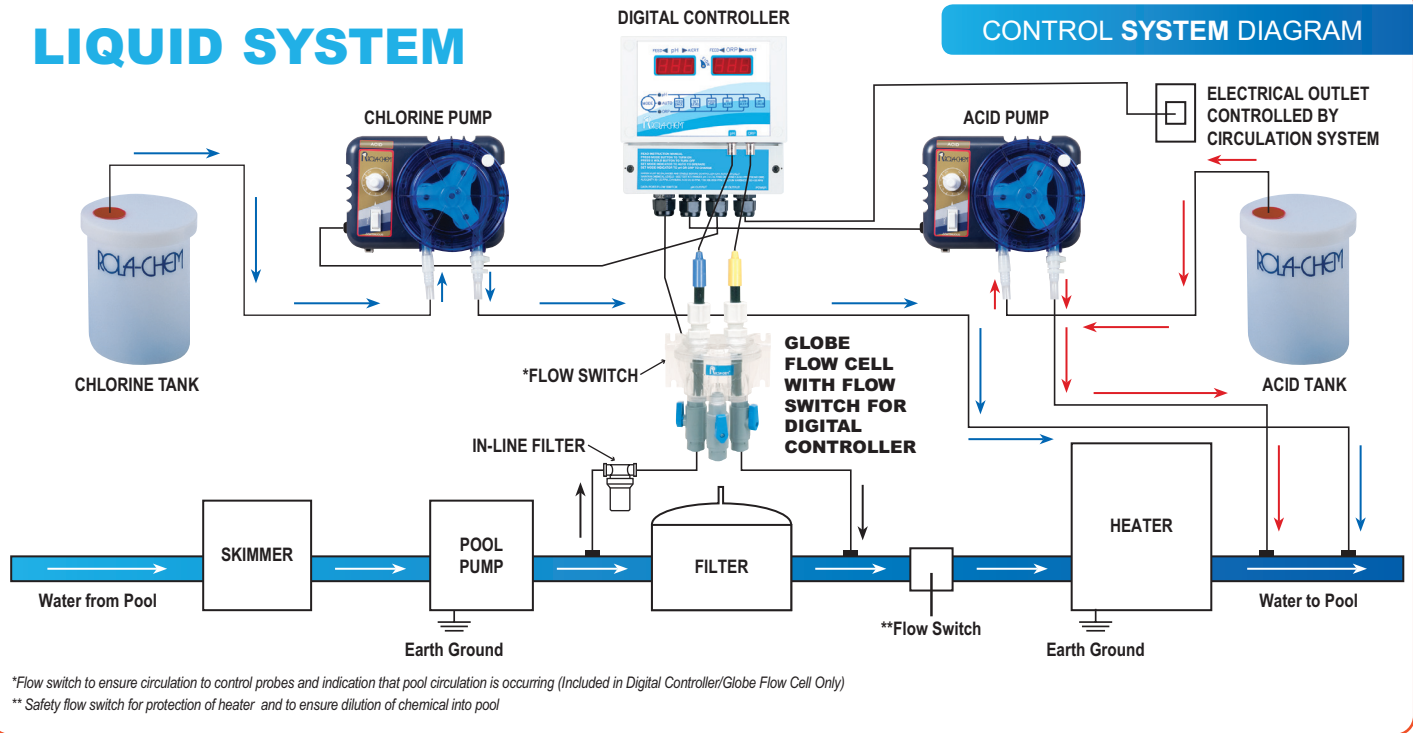
- S/O Stand with Bracket for 30 Gallon Tank
- S/O Stand Only for 30 Gallon Tank
- 81753 Stand w/Bracket for 50 Gallon Tank
- 81660 Threaded Injector
- 81665 Foot Valve for 3/8" OD Tubing
- S/O Pump Head Kit 3/8" OD Acrylic, Pressure Relief, Viton O-ring & Diaphragm
- 81700 1/4" (100') Polyethylene Tubing
- 81702 3/8" Tube Assembly Neoprene
- 81703 3/8" Tube Assembly Vinyl

Chemical Feed Tanks

- 81710 15 Gallon Tank
- 81720 30 Gallon Tank
- 81730 50 Gallon Tank



LIQUID SYSTEM



*Flow switch to ensure circulation to control probes and indication that pool circulation is occurring (Included in Digital Controller/Globe Flow Cell Only)
 ** Safety flow switch for protection of heater and to ensure dilution of chemical into pool



Rola-Chem Feeder Pumps

Rola-Chem peristaltic chemical feed pumps are enclosed in impact resistant plastic cases and feature built-in solid state timers. Pumps are designed with 3-way bypass switches. Run on the “timer” position for interrupting action or run in the “on” position for continuous dispensing. Heavy-duty, air-cooled motor has a thermal overload protection system and a maximum pressure of 30 psi. Pump heads are molded Lexan®, hi-impact, & polycarbonate resin. 1-yr manufacturer warranty. Self-priming peristaltic pump that is available in 120V or 240V.
 81672 RC25 53 12 GPD, 120V 81673 RC105 32 GPD, 120V 81674 RC503 72 GPD, 120V



Rola-Chem Pro Series Sizing Guide – Estimated Maximum Gallons Per Day

Settings	On	Off	322445	81672	81673	81674
Lo	4 Sec.	8 Min 56 Sec	.01	.10	.34	1.00
2	1.5 Min	7.5 Min	.18	1.20	3.72	8.88
3	3 Min	6 Min	.33	3.60	10.80	24.00
4	4.5 Min	4.5 Min	.50	6.00	19.40	40.00
5	6 Min	3 Min	.66	8.40	25.20	53.00
6	7.5 Min	1.5 Min	.78	11.00	33.40	67.00
Hi	8 Min 56 Sec	4 Sec	.90	12.00	38.00	77.00
OUNCES PER MINUTE AT FULL ON			.08	1.06	3.37	6.84



Rola-Chem System Tank

- Convenient mounting of your Rola-Chem Pump on tank
- Includes chemical re-fill and pick-up holes
- Heavy-Duty Construction - formed from high-density polyethylene
- Translucent - allows visual check of chemical level
- UV Protected - solar rays will not damage chemicals

321814 RC-103 SC Rola-Chem Pro Series Pump
 38 GPD mounted on a 15 gal Poly Tank
 304736 RC-25/53 SC Rola-Chem Pro Series Pump
 12 GPD mounted on a 15 gal Poly Tank

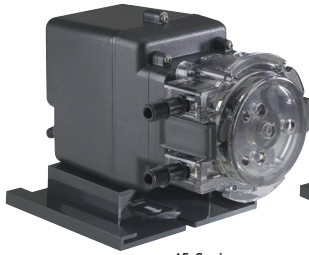
GPD = Gallons Per Day *Using 12.5% Liquid Chlorine



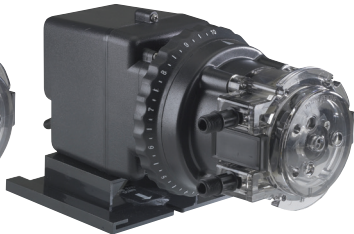
Rola-Chem Chemical Tanks

Rola-Chem offers a range of heavy-duty tanks and covers available in 5, 15, 30, and 55 gallon sizes. Precision-molded of high-density polyethylene polymer, which is highly resistant to corrosive solutions. For your convenience, tanks and lids are sold separately.

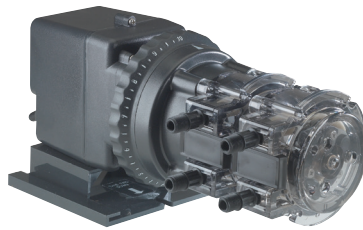
- 956301 T-5 5 gal Poly Tank
- 958623 T-15 15 gal Poly Tank
- 953781 T-30 30 gal Poly Tank
- 953292 T-5555 gal Poly Tank



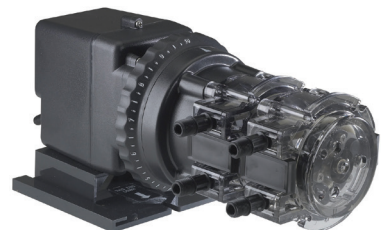
45 Series



85 Series



100 Series



170 Series

Electromechanical Single Head

Adjustable Model

- External dial ring
- 5%-100%, 2.5% increments



Fixed Model

- No adjustment
- Output equivalent to setting 10 on the adjustable pump

Electromechanical Double Head

Adjustable Model

- External dial ring
- 5%-100%, 2.5% increments



Fixed Model

- No adjustment
- Output equivalent to setting 10 on the adjustable pump

45 Series Fixed Model

25 psi / 1.7 bar
0.2 to 50 GPD
0.8 to 189.3 LPD
100 psi / 6.9 bar
0.2 to 22 GPD
0.8 to 83.3 LPD

81650 S/O Model 45m 1/4" 50 GPD
81652 S/O Model 45mhp 1/4" 12 GPD

*Additional models available

85 Series Adjustable Model

25 psi / 1.7 bar
0.3 to 85 GPD
1.1 to 321.8 LPD
100 psi / 6.9 bar
0.3 to 40 GPD
1.1 to 151.4 LPD

81651 S/O Model 85m 1/4" 85 GPD

100 Series Adjustable Model

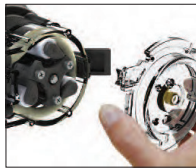
25 psi / 1.7 bar
0.3 to 100 GPD
1.1 to 378.5 LPD
100 psi / 6.9 bar
0.3 to 20 GPD
1.1 to 75.7 LPD

S/O

170 Series Adjustable Model

25 psi / 1.7 bar max. 0.5 to 170.0 gpd
1.9 to 643.5 lpd
100 psi / 6.9 bar max. 0.5 to 34.0 gpd
1.9 to 128.7 lpd

S/O



All QuickPro Pumps

- ✓ 3 Patent pending QuickPro Pump Head provides fast tube replacement without tools.
- ✓ 3 Collapse or expand the roller assembly with the pump head cover to remove the tube or secure it in place.
- ✓ 3 Tubes are interchangeable within the same series.

PUMP & TANK PRE-PACKAGED SYSTEM



Features

- Includes rain roof to help protect motor (Classic Series only)
- Pump is vertically mounted for solution containment
- Child resistant lid
- Polyethylene construction is lightweight and rugged

How It Works

The Tank System consists of a tank and pump. The system is factory assembled with your pump choice: Classic single head adjustable or fixed, MI28 or Econ, and your tank choice: 7.5, 15, 30 gallon, in white or UV resistant gray.

ECON T DOSAGE PUMP



Econ T Series

For indoor or outdoor applications that require timed injection, the Econ T offers flexible scheduling and automatic dosing control. Solutions are not in contact with the pump's moving parts and are injected through a food grade peristaltic tube.

S/O

Item # Prefix	Pump Tube	Roller Assembly	Gallons Per Day	Gallons Per Hour	Ounces Per Hour	Ounces Per Min.	Pressure Max PSI
E10T1F*	F	White	.60	.02	3.0	.05	80
E10T2F*	F	White	1.30	.05	6.60	.11	80
E20T4F*	F	White	3.40	.14	18	.30	80
E20T4G*	G	Black	12.30	.51	65.40	1.09	80
E20T4H*	H	Black	21.70	.90	115.20	1.92	80
E10T1A	A	White	2.50	.10	13.20	.22	25
E10T2A	A	White	5.00	.21	26.40	.44	25
E10T2B	B	White	8.50	.35	45.60	.76	25
E10T2C	C	White	15	.63	79.80	1.33	25

*Injection check valve is included with pump rated 80 psi (5.5 bar) maximum.

Approximate Maximum Outputs @ 50/60HZ

NOTICE: The information within this chart is solely intended for use as a guide. The output data is an approximation based on pumping water under a controlled testing environment. Many variables can affect the output of the pump. Stenner Pump Company recommends that all metering pumps undergo field calibration by means of analytical testing to confirm their outputs.



Cylindrical
15 Gallons up to 500 Gallons

Square
5 Gallons up to 175 Gallons



Features & Benefits of Gemini Dual Containment® Tank Systems

All Peabody Gemini® tanks made from LDPE are available WQA Gold Seal ANSI 61 compliant. In Natural (Vanilla) or Gemini Blue XLPE ANSI 61 compliant from 40 gallons up to 500 gallons.

Linear polyethylene (LDPE) construction. Polypropylene (PPL), XLPE and PVDF available - Superior chemical resistance for acids, caustics, sodium hypochlorite, biocides, etc. Handles aggressive applications that stainless steel will not.

Durable dual wall construction - Standard tanks rated in 5 SPG, 1.9 SPG heavy duty available. "Tank in a Tank" design for instances where primary tank fails, the chemical will be safely contained in secondary tank.

NEW Standard secondary tank leak detection port - factory optional leak detection alarm.

Integral pump mounting platform - Lid has 240 pound rating allowing for use with metering pump or mixer mounted directly to tank dome. Models with sump reservoir collects and drains liquid back to primary.

Pump pick-up tube port - Install pump suction line with check valve quickly and easily. Once installed, tank contents are sealed from outside environment.

Integral mouse door - Molded directly into most Gemini® models, recessed mouse door allows for inexpensive installation of optional bottom bulkhead fitting for flooded suction connection or bottom fill.

All of our tanks meet or exceed the EPA's requirements for secondary containment under EPA Regulation 40-CFR.

Gemini Dual Containment® - CYLINDRICAL

Tank Size Gal/Liter	Diameter	Height	Capacity		Polyethylene LDPE † SD 1.5		Polyethylene LDPE † HD 1.9		Crosslink SLPE Natural	
			Inner	Outer	Blue	Natural	Blue	Natural	SD1.5	HD1.9
15 G / 57 L	19.5 in / 49.53 cm	28.75 in / 73.03 cm	15 G / 57 L	25 G / 95 L	01-28907	01-28906	01-29772	01-29763	01-30124	01-30135
20 G / 76 L	22 in / 55.88 cm	26.75 in / 67.95 cm	20 G / 76 L	28 G / 106 L	01-14871	01-1073	01-29773	01-29764	01-30125	01-30136
40 G / 151 L	22 in / 55.88 cm	42.5 in / 107.95 cm	40 G / 151 L	51 G / 193 L	01-29436	01-29437	01-29775	01-29766	† 01-30127	† 01-30138
40 G / 151 L	23.5 in / 59.69 cm	39.5 in / 100.33 cm	40 G / 151 L	50 G / 189 L	01-14874	01-1076	01-29774	01-29765	† 01-30126	† 01-30137
62 G / 235 L	25.5 in / 64.77 cm	38 in / 96.52 cm	62 G / 235 L	74 G / 280 L	01-14877	01-1077	01-29776	01-29767	† 01-30128	† 01-30139
65 G / 246 L	27 in / 68.58 cm	47 in / 119.38 cm	65 G / 246 L	92 G / 348 L	01-29920	01-29921	01-29922	01-29923	† 01-30129	† 01-30140
90 G / 341 L	34 in / 86.36 cm	41.25 in / 104.78 cm	90 G / 341 L	116 G / 439 L	01-30294	01-30295	01-30296	01-30297	† 01-30298	† 01-30299
120 G / 454 L	33 in / 83.82 cm	47 in / 119.38 cm	120 G / 454 L	142 G / 538 L	01-14870	01-1072	01-29777	01-29768	† 01-30130	† 01-30141
160 G / 606 L	34 in / 86.36 cm	68 in / 172.72 cm	160 G / 606 L	224 G / 848 L	01-29877	01-29939	01-29940	01-29941	† 01-30131	† 01-30142
220 G / 833 L	48 in / 121.92 cm	48 in / 121.92 cm	220 G / 833 L	278 G / 1052 L	01-14872	01-1074	01-29778	01-29769	† 01-30132	† 01-30143
320 G / 1211 L	48 in / 121.92 cm	60.5 in / 153.67 cm	320 G / 1211 L	385 G / 1457 L	01-14873	01-1075	01-29779	01-29770	† 01-30133	† 01-30144
500 G / 1893 L	61 in / 154.94 cm	66.5 in / 168.91 cm	500 G / 1893 L	650 G / 2461 L	01-14876	01-14875	01-29780	01-29771	† 01-30134	† 01-30145

Gemini Dual Containment® - SQUARE

Tank Size Gal/Liter	Length	Width	Height	Capacity		Polyethylene LDPE † SD 1.5		Polyethylene LDPE † HD 1.9		Crosslink SLPE Natural	
				Inner	Outer	Blue	Natural	Blue	Natural	SD1.5	HD1.9
5 G / 19 L	14 in / 35.56 cm	14 in / 35.56 cm	13.5 in / 34.29 cm	5 G / 19 L	7 G / 26 L	01-31922	01-31923	01-31924	01-31925	01-31926	01-31927
10 G / 38 L	14 in / 35.56 cm	14 in / 35.56 cm	22 in / 55.88 cm	10 G / 38 L	12 G / 45 L	01-29816	01-29820	01-30044	01-30048	01-30146	01-30151
20 G / 76 L	18 in / 45.72 cm	18 in / 45.72 cm	24 in / 60.96 cm	10 G / 38 L	25 G / 95 L	01-29333	01-29371	01-30052	01-30056	01-30147	01-30152
40 G / 151 L	20 in / 50.8 cm	20 in / 50.8 cm	37.25 in / 94.62 cm	40 G / 151 L	51 G / 193 L	01-29655	01-29659	01-30060	01-30064	† 01-30148	† 01-30153
70 G / 265 L	24 in / 60.96 cm	24 in / 60.96 cm	41 in / 104.14 cm	70 G / 265 L	84 G / 318 L	01-29824	01-29828	01-30068	01-30072	† 01-30149	† 01-30154
120 G / 454 L	32 in / 81.28 cm	32 in / 81.28 cm	50 in / 127.00 cm	120 G / 454 L	167 G / 632 L	01-29671	01-29675	01-30076	01-30080	† 01-30150	† 01-30155
120 G / 454 L	32 in / 81.28 cm	32 in / 81.28 cm	50 in / 127.00 cm	120 G / 454 L	167 G / 632 L	01-32973	01-32974	01-32975	01-32976	† 01-32978	† 01-32980
175 G / 662 L	35 in / 88.90 cm	35 in / 88.9 cm	57 in / 144.78 cm	175 G / 662 L	240 G / 908 L	01-33086	01-33088	01-33087	01-33089	† 01-33091	† 01-33093

SD is Standard Duty
HD is Heavy Duty



Part #s include Gemini® logo, dimensions are nominal. † ANSI 61 Compliant. XLPE have different fitting configurations - contact customer service for more information. Ribs on Gemini® Square Ribbed tanks are not designed for use in lifting tank with a forklift. Twist Lid sizes on all Tanks w/Lids. For other materials, part numbers and pricing call customer service.

For the Closest Location Visit LesliesPool.com/stores.htm

Commercial Sanitization

With our sanitization solutions, commercial pools and spas benefit from the clearest, safest water possible. Our Saline C Series salt chlorine generators meet commercial demands while delivering the same natural comforts of salt chlorination so common in the residential market. HydroRite™ UVO₃ supplementary disinfectant treatment system supports the Model Aquatic Health Code (MAHC), provides protection against recreational waterborne illnesses (RWIs) and reduces chlorine demand by at least 50%. Pair with a CAT Controller for a completely automated sanitization system.

HydroRite™ UVO₃ Commercial UV Ozone Advanced Water Treatment System



Eliminates 99.9% Of Bacteria

HydroRite UVO₃ from Hayward Commercial Aquatics sets a new standard in water quality, utilizing UV, Ozone and Advanced Oxidants to drastically reduce the threat of deadly recreational waterborne illnesses (RWIs). Used as a supplementary disinfectant system as recommended by the U.S. Centers for Disease Control's Model Aquatic Health Code guidelines, HydroRite delivers a powerful trio of disinfectants that work synergistically to inactivate more than 99.9% of harmful chlorine-resistant microorganisms. HydroRite UVO₃ makes it easier and more affordable than ever to provide commercial pools the most advanced all-in-one UV and Ozone system the industry has ever seen.

High bather loads create higher bacteria levels—most left untreated by chlorine alone. As a proactive measure, the U.S. Centers for Disease Control (CDC) has created the Model Aquatic Health Code (MAHC), which highly recommends the use of UV or Ozone as a supplementary disinfectant treatment. Hayward's HydroRite UVO₃ will ensure that commercial facilities stay on the cutting-edge of swimmer safety by reducing waterborne illnesses due to harmful chlorine-resistant microorganisms.

Low-Risk Investment for High-Risk Environments

- Supplementary and/or secondary disinfection as recommended by CDC's Model Aquatic Health Code
- Advanced water treatment system combining 3 powerful disinfectants
- Inactivates more than 99.9% of harmful chlorine-resistant microorganisms such as Cryptosporidium and Giardia
- Reduces irritating chloramines by 50% or more, improving indoor air quality
- Reduces overall chemical usage and chlorine demand by 50% or more, lowering operating costs and extending the life of salt chlorination cells
- ANSI Standard 50 Certified

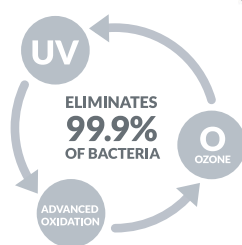
[Click here to Connect with your Account Manager](#)

Bioshield CVP UV Disinfection Sterilizer

When operating space is restricted, our vertical BioShield UV Systems provide the small footprint you need. These vertical models feature single-end, top-loading quartz sleeves to minimize space required and maximize serviceability. Each model is extremely durable and features a corrosion-resistant UV vessel and control panel. All models are designed to deliver optimum UV performance by utilizing the UV lamp's UV-C output to its maximum potential. BioShield UV Systems are water-tight and designed for indoor/outdoor use. Each model is equipped with a flanged base for easy installation.

FEATURED HIGHLIGHTS

- Enhanced, state-of-the-art electronic ballast, sized precisely to the lamp's power requirement, ensures optimal UV-C output and maximum "useful lamp life"
- Small footprint: vertical operation reduces required horizontal space
- Cost-effective Schedule 80 solvent welded PVC plastic vessels stand up to corrosive Chlorine environments.
- Single-End UV lamp and quartz sleeve access for easy servicing
- Watertight design protects all electrical hardware from water damage
- Highest-quality, low-pressure high-output UV lamps offer 12,000 hours of continuous operation (80% efficient after 12,000 hours)
- Choice of inlet/outlet port sizes
- Included Over-Temp System Shutdown Sensor shuts down the lamp field to avoid damage when water temperature inside the vessel exceeds 120° F
- 6-foot power cord and 20-foot lamp cables



Bioshield HMAC UV Disinfection System

BioShield Systems feature Low Pressure High Output (LPHO) lamps that offer approximately twice the UV output of standard Low Pressure (LP) lamps with the same arc length. UV vessels are built of a UV-resistant, high density polymer with a removable end cap to provide easy internal access. Viewing ports allow visual indication of lamp status. 25, 45, and 62 gpm units have 2" slip unions and 5 3/4" diameter housings and the 90 gpm units have 3" slip unions and 5 3/4" diameter housings. 10' cable to ballast and 6' cord. 120V and 240V units are available. Models include an in-line, sealed water-tight power supply for wet applications.

FEATURED HIGHLIGHTS

- Neutralizes harmful bacteria and pathogens instantly, including Cryptosporidium and E.coli
- Eliminates chloramines, conserves chlorine and works as a supplementary water enhancement
- Low-pressure, high-output UV lamp runs at lower temperatures to conserve energy
- High-density polymer with removable end cap provides easy internal access
- American-made UV lamps can last up to 12,000 hours
- 2" union inlet/outlet ports



Bioshield PRO UV Sanitizing SYSTEM

Introducing BioShield Pro. Finally, a UV system with proven chloramine control is now affordable for commercial pools.

FEATURED HIGHLIGHTS

- Custom ballasts rated for indoor and outdoor use
- Separate ballasts for installation versatility
- Designed for use in small places and easy to hide
- Flow switch turn off at no flow, regardless of pressure
- Easy drain for quick maintenance
- Internal air bleed helps prevent trapped air in the top of the vessel





Hayward Chlorine Feeder

- 16208 CL200 In-line Feeder
- 16205 CL220 Off-Line 9 lb Feeder
- 16104 Off-Line Bromine Feeder



Jacuzzi Chlorine Feeder

- 81466, ■ 82466 JAC90i (in-line) 9 lbs capacity
- 81467, ■ 82467 JAC90 (off-line) 9 lbs capacity
- 81468, ■ 82468 JAC50i (in-line) 5 lbs capacity
- 81469, ■ 82469 JAC50 (off-line) 5 lbs capacity



Rainbow Chlorinators

- ABS plastic construction
- Dial-control valve for easy feed-rate adjustments
- Proven reliability
- Less flow restriction than other models
- 5 lbs, 9 lbs and 14 lbs capacity
- 81308 320 (in-line) 5 lbs capacity
- 81307 300 (off-line) 5 lbs capacity
- 81309 30019 (off-line) 9 lbs capacity
- 81306 30029 (off-line) 14 lbs capacity
- 81310 30029X (off-line) 14 lbs capacity
- 81305 HC-3315 14-lbs capacity
- 81311 HC-3330 30-lbs capacity

- 81313 HC-3340 40-lb capacity
- 81301 S/O Flow Indicator for 30029X
- 16387 S/O 320 Spa Chamber for 320

Rainbow Chlorinator Parts

- 16378 S/O RA Chlor Parts for 1/2" tubing
- 611727 RA Chlor Parts for 1/4" tubing
- 16370 Cap, white
- 66565 O-Ring cap
- 16418 Tubing 12 ft 1/2"

SANI-TOWER SYSTEMS— WORKS WITH CYA-FREE POWER PRO TABS.



Sani-Tower 90

- Indoor: Up to 100,000 gallons
- Outdoor Stabilized: Up to 35,000 gallons
- Outdoor Unstabilized: Up to 20,000 gallons
- Tablet Capacity: 30 lbs.
- Size: 9" Diameter x 45"H



Sani-Tower 275

- Indoor: Up to 600,000 gallons
- Outdoor Stabilized: Up to 200,000 gallons
- Outdoor Unstabilized: Up to 100,000 gallons
- Tablet Capacity: 50 lbs.
- Size: 22"W x 27"L x 35"H



Sani-Tower 500

- Indoor: Up to 1.5 million gallons
- Outdoor Stabilized: Up to 500,000 gallons
- Outdoor Unstabilized: Up to 250,000 gallons
- Tablet Capacity: 100 lbs.
- Size: 22"W x 27"L x 46"H

	Sani-Tower® System	12% Liquid Chlorine	Trichlor	Chlorine Generators
Safety	No containment needed. Solid form of chlorine.	Dual containment required.	Solid form of chlorine. Off-gassing and noxious fumes. Pressurized feeder requires care to refill.	Minimal safety concerns.
Handling	A 50-lb. pail of PowerPro tablets is equal to a 55-gallon drum of liquid chlorine weighing over 500 lb.	Large polyethylene holding tanks can be difficult to fill. 55-gallon drums are hard to maneuver.	Various size pails.	40-lb. bags of salt. Very large quantities required during start-up. To reach 3,000 ppm in a 200,000 gallon pool, it would take 125 40-lb. bags
Chemistry	10 pH means easier water balance. Helps maintain alkalinity. Chlorine strength degrades slowly.	13 pH requires large amounts of acid to balance water (2 to 3 times as much acid addition as PowerPro tabs).	3 pH requires large additions of sodium carbonate to balance water. Destroys alkalinity. Raises stabilizer levels.	Must maintain ~ 3,000-9,000 ppm salt concentration in the pool; salt is converted to chlorine as it passes through the cells.
Maintenance	Minimal maintenance. Required cleaning 1 to 2 times per year.	Feed pumps need constant repair and tubing leaks regularly. Gas locking of pump is not uncommon.	Minimal maintenance.	Must replace costly cells every two to four years. High energy cost to operate.

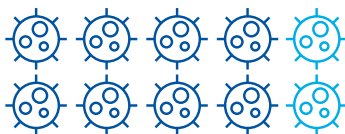
LONZA CCH® ENDURANCE SYSTEM

Every year, thousands of people are sickened by illnesses caused by germs found in the water we swim in.

These illnesses are spread by swallowing, breathing in or having contact with contaminated water in swimming pools, hot tubs, water parks and natural bodies of water.

Nearly 8 in 10

Outbreaks of gastrointestinal illness associated with treated recreational water (2003-12) are caused by the bacterium Cryptosporidium¹



Cryptosporidium - contaminated water can cause unpleasant and potentially dangerous symptoms, including:

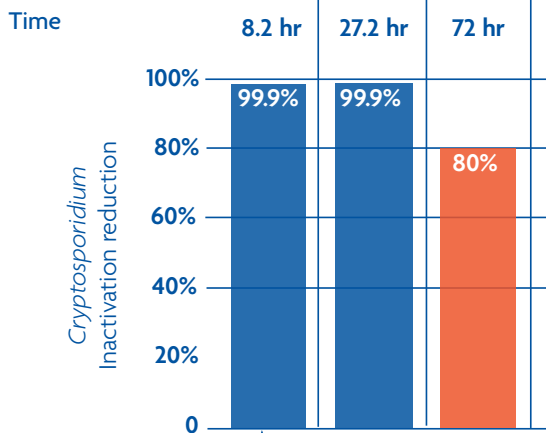
- Gastrointestinal Distress
- Nausea and Vomiting
- Dehydration
- Fever

Are you adding too much CYA?

Cyanuric acid (CYA) is used in pools and spas to restrict the loss of free chlorine due to the sun's ultraviolet rays. A common type of sanitizer, trichlor, contains up to 54% CYA.

What had long been considered a modest level of CYA stabilizer has now been shown by federal research to inhibit or "bind" chlorine to an extent that CYA can significantly inhibit chlorine's ability to inactivate Cryptosporidium.

CYA ppm (mg/L)	None	16	100
Free Chlorine (mg/L)	20	20	20



There is a direct correlation between CYA level and how long it takes to kill Cryptosporidium in the presence of chlorine.

How Do We Stack Up?

	Kills Bacteria	Slow Dissolving	Minimal Degradation After 1 Year	Plaster Protection	CYA-free	Works with ORP
CCH® Endurance	•	•	•	•	•	•
Trichlor	•	•	•			
Bleach	•	N/A			•	•

Setting the Standard for Performance

A truly innovative approach to commercial pool chlorination, our slow-dissolving tablets work with our easy-to-use CCH® Endurance Feeder, an automatic solution that meets the needs of the modern pool facility.

The 3-in-1 Solution!

1. Chlorinate to sanitize pool water
2. Increase calcium to protect plaster
3. Increase alkalinity to stabilize Ph



Tablets

- Slow-dissolve
- Works with ORP sensors and will not cause reduction of ORP
- Exclusive, patent-pending technology
- Does not contain CYA
- Class 2 oxidizer

Seismic restraint

Commercial Salt Chlorine Generators

The Saline C Series of electronic chlorine generators provides an elegant, rugged solution specifically designed to meet the demands of commercial installation. The new Saline C 11.0 model is capable of generating 11 lbs of chlorine per day, complementing the current Saline C 6.0, which is capable of generating 6 lbs per day. Both systems deliver all of the benefits of salt chlorination without the wasted space and extra cost of multiplexing multiple residential units.

Hayward Saline C Series

- One Saline C 6.0 unit can handle a up to a 60,000-gallon outdoor pool or a 90,000-gallon indoor pool*
- One Saline C 11.0 unit can handle a up to a 110,000-gallon outdoor pool or a 165,000-gallon indoor pool*
- Compact design with single electrolytic cell
- 110V plug-in efficient switch mode power supply
- Industrial-grade clear vessel for easy inspection
- Plug N' Play chemical automation
- Reduce chloramines and associated odors/corrosion
- Simple low-cost installation vs. multi-cell alternatives
- 2-year limited warranty
- 110V plug-in efficient switch mode power supply
- Industrial-grade clear vessel for easy inspection
- Plug N' Play chemical automation
- Reduce chloramines and associated odors/corrosion
- Simple low-cost installation vs. multi-cell alternatives

**Please check local codes. The sizing provided is based on: 1 lb of chlorine production per 10,000 gallons of water volume (outdoor pools) 1/2 lb of chlorine production per 10,000 gallons of water volume (indoor pools)*



Saline C™ 6.0 Commercial Salt Chlorine Generation System

- Produces up to 6 pounds of chlorine per day
- Commercial sizing 60k gal outdoor, 90k gal indoor
- Compact design, single cell and power supply for easy install
- Industrial-grade, clear vessel, easy inspection
- Reverse polarity self-cleaning technology

81519 Saline C 6.0 Commercial Salt Generation System



Saline C™ 11.0 Commercial Salt Chlorine Generation System

- Produces up to 11 pounds of chlorine per day
- Commercial sizing 110k gal outdoor, 165k gal indoor

88665 Saline C 11.0 Com Salt Generation System



Sizes shown are for residential pools

SwimPure Chlorine Generator

- Generates 100% of pool and spa's chlorine
- Right-sized chlorination – choose from 15K 25K or 40K gallon Turbo Cell – Turbo Cells are sold separately – 3 sizes now available
- Clean, clear and luxuriously soft water, automatically

Not NSF Rated

340065 SwimPure Extreme Controller & 40k Cell (lasts 20% longer)

340133 SwimPure Controller & 40k Cell

340136 SwimPure Controller & 25k Cell



Swim Pure Replacement Cells

340087 Openline Cell - 40K gal 15ft CBL

340088 Openline Cell - 25K gal 15ft CBL

385624 Openline Cell - 15K gal 15ft CBL

15508 Goldline Cell Cleaning Stand

Replacement Cell with Sensor

617100 S/O Fits AquaPure 700

617102 S/O Fits AquaPure 1400

SALT CELL CLEANER



Salt Cell Cleaning Stand

- Convenient way to clean your salt cell without the mess
- Screws onto the cell and allows you to pour the cleaning solution directly in the cell compartment

15508 Cleaner Stand

REPLACEMENT SALT CELLS



SG 5000 Replacement Cell

- Produces up to 2.3 lbs of chlorine per day
- Cell independent of clear cell housing
- Flow sensor built into cell base
- No need to use acid when cleaning cell

81503 Cell w/ Plug and Cap

68528 Cell Housing

68529 Cell O-ring

68531 Cell Clips (4-pack)

SINGLE CELL SYSTEM



1 YEAR WARRANTY

SG 5000 Single Cell Commercial System

Extended warranty programs available

- Produces up to 2.3 lbs of chlorine per day
- Cell independent of clear cell housing
- Flow sensor built into cell base; no additional plumbing
- No need to use acid when cleaning cell
- Remove buildup with ARD cleaning tool

81502 S/O (2.3 Lbs per day)

AUTOPILOT SALT CHLORINE GENERATOR



Pool Pilot Professional

- Easy to read digital display
- Simple push button controls
- Commercial grade electrolytic cells (2.5 lbs/day each)
- Trisensor assembly provides a true salt (with salt addition display), and temperature readout (with automatic output adjustments based on temperature changes)
- Patented flow-control manifold assembly
- Improved air and water quality
- Environmentally friendly—green technology

- 81234 S/O 2-Cell Manifold
- 81235 3-Cell Manifold
- 81236 S/O 4-Cell Manifold
- 81237 5-Cell Manifold
- 81238 6-Cell Manifold



IntelliChlor Salt Chlorine Generator Cell

IntelliChlor Salt Chlorine Generator uses common table salt to produce all the chlorine a pool needs, safely, effectively, and automatically. Same sanitation performance as manual chlorine addition without the drawbacks. No need for customers to buy, transport and store chlorine compounds.

- 901241 Replacement Primary Cell
- 362205 Replacement Secondary Cell



Can produce up to 15 lbs of chlorine per day!

FEATURED HIGHLIGHTS

- Easy to read digital display produces up to 2 lbs of chlorine per day
- Tracking of remaining cell life
- Self-cleaning
- Manifold systems to 8 cells
- Automatic shut-off feature helps protect and prolong cell life
- UL Listed
- Systems available with 15 lbs of chlorine output per day
- Pre-mounted multi-power center configuration
- Works with ORP Control System to generate chlorine on demand
- Performance data captured daily

POOL PILOT DIGITAL & SOFT TOUCH SALT CHLORINE GENERATOR COMBO

- Easy to read digital display with simple push button controls
- Trisensor assembly provides a true salt (with salt addition display) and temperature readout with automatic output adjustments based on temperature changes
- Patented flow-control manifold assembly
- On board diagnosis with 24-hr and 72-hr boost cycles

Pool Pilot Digital

- 81211 Digital Power Supply
- 81207 1-Cell Manifold Assembly

Pool Pilot Digital & Soft Touch Combo

- 81211 Digital Power Supply
- 81212 Soft Touch Power Supply
- 81231 2-Cell Manifold Assembly

Pool Pilot Replacement Cells

- 81510 Replacement for Single Cell Units
- 81273 Replacement for Multiple Cell Units



POOL SALT



Leslie's Pool Salt

- For use with all salt chlorine systems
 - Ultra-pure, evaporated, fine formula
 - Call your local store for availability
- 16458 40 lbs
16470 40 lbs CDC Store Only
16464 50 lbs Pellets

Additional freight may be required

POOL SALT PELLETS



System Saver II Pellets

- Contain up to 99.8% pure salt
- Patented two-handed bags
- 16450 40 lbs

SCALE PREVENTER

Stain & Scale Prevent

- Weekly application protects and maintains the beauty of all pool surfaces
 - Protects against stains, mineral scales, and scum buildup
- 14226 qt



Protects Salt Cells From Build-Up



Commercial Variable Speed Pump - 5HP

The WhisperFloXF VS Commercial Pump is the first five-horsepower variable-speed pool pump that runs on single-phase or three-phase power. It's an economical, combined motor/drive solution for both HMAc (hotel, motel, apartment, condominium) or large residential installations. The WhisperFloXF VS Commercial Pump provides sophisticated, energy-saving pump technology without the high costs typically associated with independent pump/external drive setups.



Key Technology Innovations Drive Significant Energy Savings

The WhisperFloXF® VS Commercial Pump combines breakthrough motor and controllable, variable speed technology that combine to drive down energy use and cost. Increased savings potential may be measured in thousands of dollars over its long life.

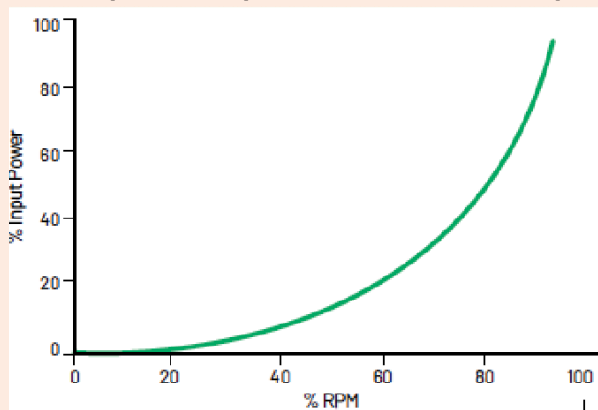
The WhisperFloXF VS Commercial Pump features variable speed capability, along with digital controls and proprietary software that allow custom programming of optimum pump speeds for specific tasks—filtering, heating, cleaning, spa jets, etc. Traditional pool pump speeds are almost always greater than needed to meet the health department turnover requirements.

The WhisperFloXF VS Commercial Pump has four programmable settings that can be set to any speed ranging from 300 to 3450 RPMs. This allows you to program the exact flow requirements for each task, assuring the lowest energy use possible...adding to your savings. Plus with the WhisperFloXF VS Commercial Pump, you may be able to further reduce energy costs by reducing flow rates during non-pool use hours while maintaining 24 hour-a-day filtration...at a much lower cost. Check with your local health department for requirements in your area.

Cut Energy Costs Dramatically

The surprising secret to minimizing pump energy costs is to operate at the lowest speed needed to accomplish a job. It takes far less energy to move water slowly than quickly. Why? Because there's lower resistance in the filter, accessories and plumbing system. Even with only modest pump speed reductions, the effect on electricity usage can be dramatic. In fact, reducing pump motor speed by 25% actually reduces the power needed by 58% of what's consumed at the higher speed. A good analogy is your car: you get much better gas mileage at 30 mph than at 90 mph. The same is true with pool pumps—run slower to reduce energy used.

Pump Motor Speed vs. Power Consumption



This graph shows the huge increase in energy consumption as pump speed increases. Slow down the pump and you cut energy costs dramatically.

Standard Features

- Integrated 5HP motor/drive; no expensive external drive required.
- Versatile power input capability; runs off a wide range of single- or three-phase power.
- Speed or flow control for maximum efficiency and pool performance*.
- External control capability through automation systems or relays.
- Intuitive programming and operation.
- Meets commercial codes and agency requirements.

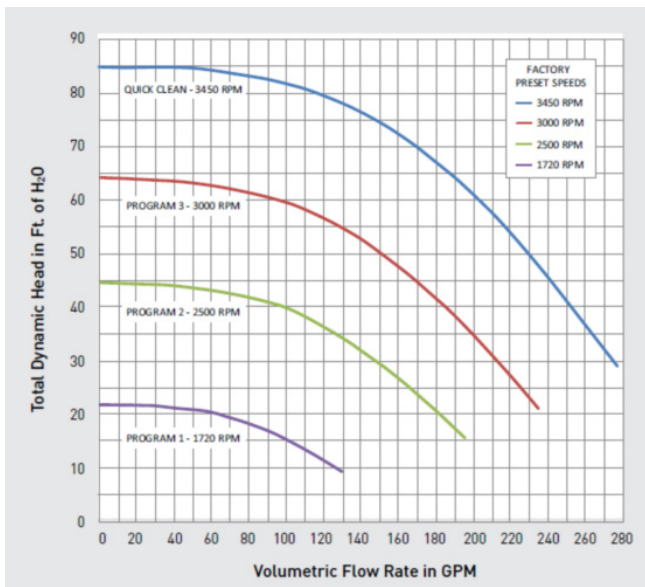
* When connected to Pentair's inline 4-20mA flowmeter for 3" plumbing (P/N 97014-4203KIT— sold separately), or similar 4-20mA flowmeters, this pump is capable of maintaining a constant flow based on the needs of your pool system. To connect the flowmeter and pump, the digital input cable provided in the External Control Wiring Kit (P/N 353129Z— sold separately) is required.

Here's Just One Comparative Example

Pump	Annual Energy Use	Annual Electric Cost @ \$.16/kWh	Annual Savings
Traditional Single Speed Pump	27,681 kWh	\$4,429	—
WhisperFloXF VS Commercial Pump™	.13,276 kWh	\$2,124	\$2,305

*Actual savings may vary based on local utility rates, pool size, run time, pump rpm, plumbing size/length and service and other hydraulic factors. Example reflects savings for an avg. 30,000 gallon commercial pool operating 24hrs/day at a flow rate sufficient to perform a min. 6hr turnover. ** WEF: 5.0 THP: 5.0

Performance Curves



Variable Speed & Flow Pump

The only pump with patented sensorless flow technology just got smarter.

Meet the first pump to combine true set-it-and-forget-it flow technology paired with the smart connectivity of the Pentair Home app. It's just what customers want.

The IntelliFlo 3 VSF pool pump sets the new bar for performance. With flow so steady and smart your customers will wonder how they ever used anything else.

- Proprietary flow technology maintains the pool's optimal flow. For ongoing pool enjoyment, parts longevity, and all systems performing at peak.
- Easy installation with the Pentair Pro app. Install via the Pentair Pro app with intuitive step-by-step actions and optional ongoing remote monitoring for easy maintenance.
- Up to 90%* energy savings. Slower speed and regulated flow save energy and noticeably can impact that monthly utility bill.
- Updated motor, drive, and hydraulics. ENERGY STAR® rated and U.S. Department of Energy (DOE) pump regulation compliant.
- Optional onboard automation. Two-relay automation gives pool owners easy control of up to two additional pool devices, such as lights and a salt chlorine generator.
- Monitor and control via the Pentair Home app. For pool owners, it's easy to set schedules and manage their pump at anytime, anywhere with the Pentair Home app.



Smart technology for remarkable energy efficiency

Experience energy savings of up to 90%*. IntelliFlo pumps are installed in more pools worldwide and have saved more money than any other variable speed pump family.



The quietest pump on the planet

When operating at low speed, it's so quiet you might not even know it's operating.



Automation compatible

Pair with the EasyTouch® or IntelliTouch® Automation Systems with ScreenLogic2® Interface and you can control your pool functions from across the yard or around the globe.



Set it and forget it

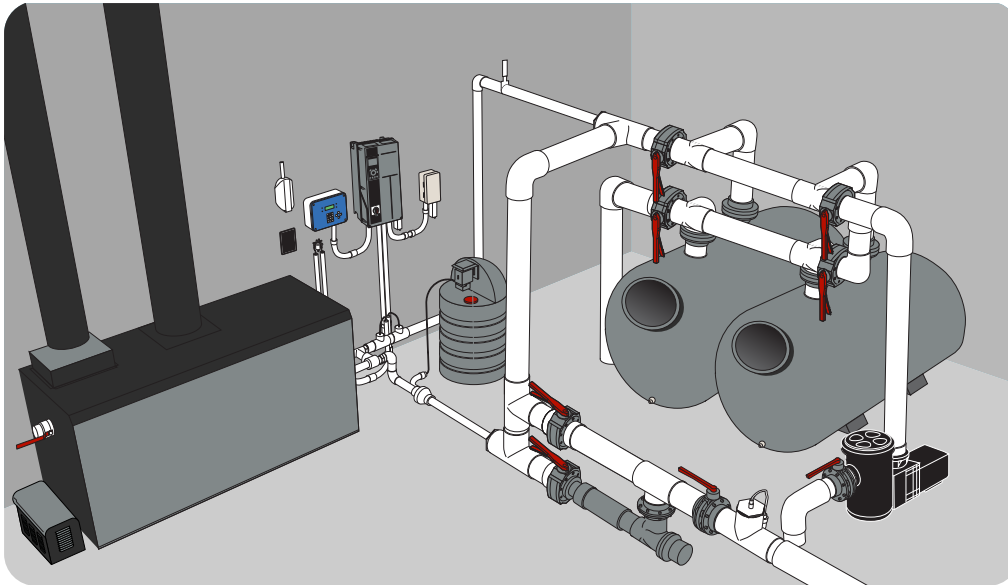
The IntelliFloXF VSF pump maintains its set flow rate, even as pool conditions change. It's like having cruise control for your pump.



* Savings based on variable speed pump compared to a single-speed pump running 12 hours per day at an average of \$0.16 per kWh in a 20,000 gallon pool. Actual savings may vary based on local utility rates, pool size, pump run time, pump horsepower, pump rpm, plumbing size and length, pump model, service factor and other hydraulic factors. Individual Weighted Energy Factor (WEF) scores and savings may vary by model.

Large Mechanical Room

Complete System Solutions



EQ Series Pumps

Now with TEFC motors provide high performance efficiency



THS Series And Stark® Filters

Provide maximum filtration in proven technology



Bioshield® UV Sanitizers

Provide excellent secondary sanitizing system



ACU Drive XS VFD

Optimize performance for your Commercial pumps



Filter Manifold Kits

Feature clear automatic diaphragm or butterfly valves



IntelliChem Chemical Controllers

Provide proper chemical management



PowerMax® Heaters

PowerMax heater provides peak efficiency in both indoor and outdoor applications to 2,000,000 BTU's

[Click here to Connect with your Account Manager](#)

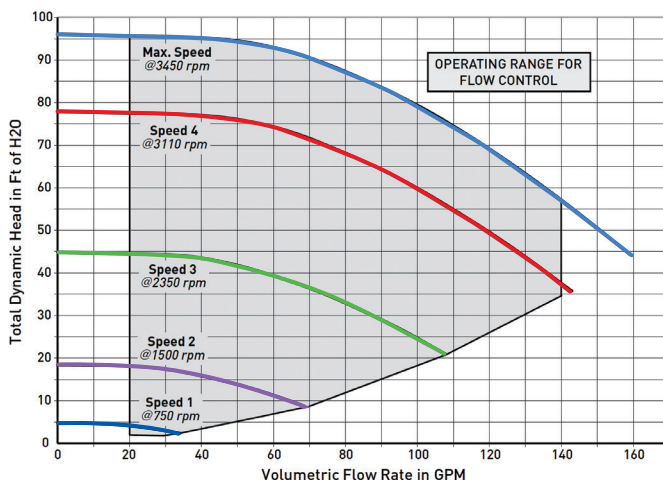
PENTAIR HIGH PERFORMANCE PUMPS



IntelliFlo® VSF High Performance Pump

- Eight programmable speed or flow settings and built-in timer
- Rotatable keypad with optional wall mount kit (sold separately)
- Top-mounted field wiring compartment is easier to access and connect
- Totally enclosed fan-cooled design for increased performance and long life
- Precisely maintains system flow requirements
- Compatible with Pentair Automation

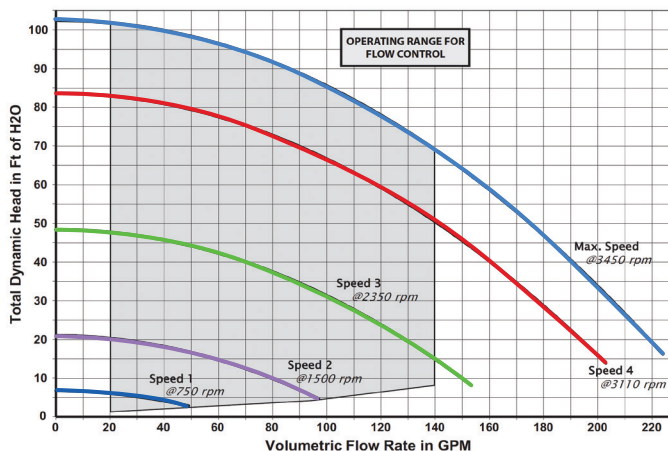
SKU	Voltage	Full Load Amps	kW	HP	SF	SFHP	FREQ.	Port Size (NPT)	Carton Wt. (Lbs)
40178	230	16	3.2	3	1.32	3.95	50hz/60hz	2" x 2"	55



IntelliFloXF® VSF High Performance Pump

- Eight programmable speed or flow settings and built-in timer
- Rotatable keypad with optional wall mount kit (sold separately)
- Top-mounted field wiring compartment is easier to access and connect
- Totally enclosed fan
- Union connectors included for connecting directly to 2.5" or 3" plumbing
- Precisely maintains system flow requirements
- Compatible with Pentair Automation

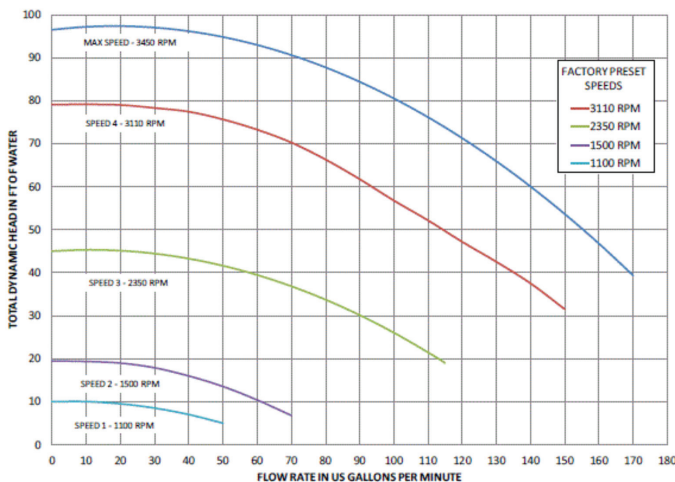
SKU	Voltage	Full Load Amps	kW	HP	SF	SFHP	FREQ.	Port Size (NPT)	Carton Wt. (Lbs)
40215	230	16	3.2	3	1.32	3.95	50hz/60hz	2.5" x 2.5" or 3" x 3"	58



IntelliFlo® VS+SVRS High Performance Pump

- Ability to program exact pump speeds for specific operations – filtering, heating, cleaning, spa jets, water features and more – reduces energy costs up to 90%
- Built-in diagnostics protect the IntelliFlo pump from the most common causes of premature failure
- Includes priming protection. No SVRS calibrations needed. Built-in SVRS cannot be turned off
- Compatible with Pentair Automation Systems
- Operates seamlessly on 50 hz or 60 hz input power Flow/speed are constant when operating on 50hz or 60 hz.

SKU	Voltage	Full Load Amps	kW	HP	SF	SFHP	FREQ.	Port Size (NPT)	Carton Wt. (Lbs)
40232	230	16	3.2	3	1.32	3.95	50hz/60hz	2" x 2"	55



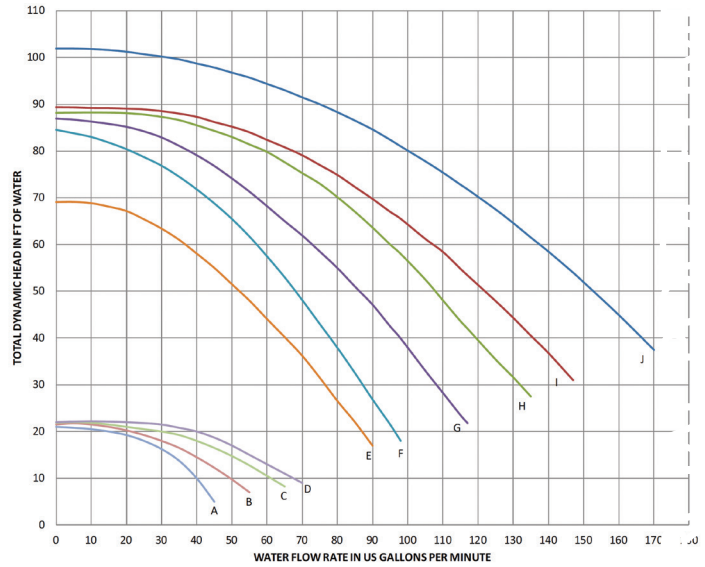


WhisperFlo® High Performance Pump

- Oversized strainer basket and volute – industry standard in pool pumps
- Standard and Energy-efficient Square Flange Motors available
- Lower HP's deliver higher performance than industry standard
- Compatible with all cleaning systems, various filters and jet action spas



SKU	Model	Voltage	Full Load Amps	HP	Curve Key
43492	WFE-6	230	10.4	1-1/2	F

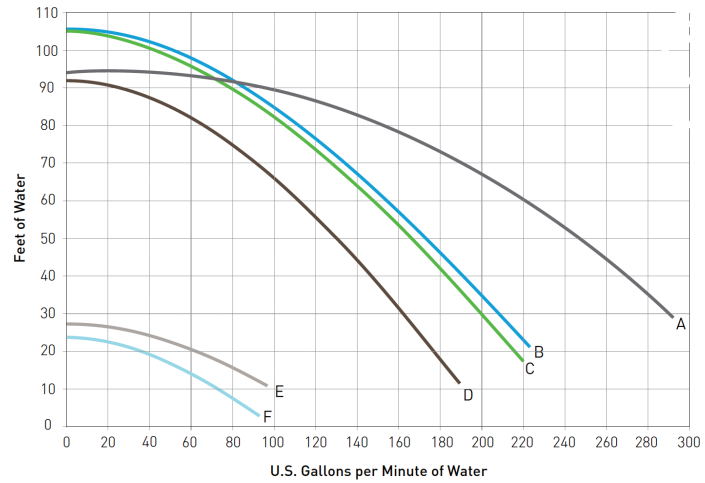


WhisperFloXF® High Performance Pump

- Drop-in replacement for all WhisperFlo® Pumps. Simple replacement for Challenger® Pumps*
- Hydraulic isolator separates priming water from pumping water for faster priming, more turbulent-free flow and increased efficiency
- Union connectors included for connecting directly to 2.5 in or 3 in plumbing



SKU	Model	Voltage	Full Load Amps	HP	Curve Key
323130	XFK-20	280-230	13.9-13.1/6.6	5	G

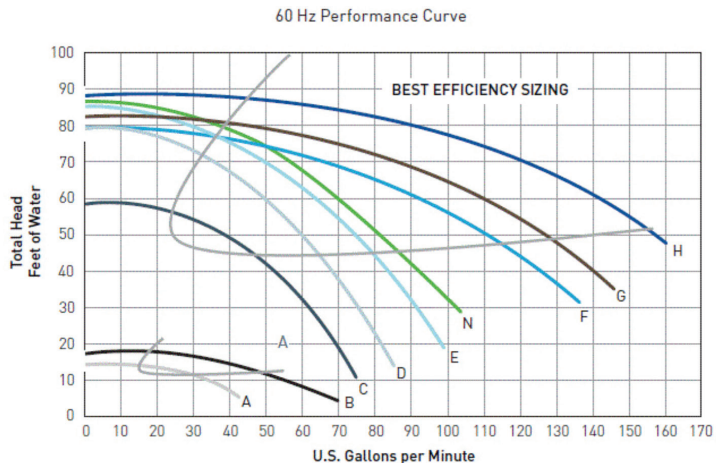


Max-E-Pro® Pump

The SuperMax pump from Sta-Rite features a commercial grade, 56 square flange motor for top performance in residential swimming pools. SuperMax pump is a superior drop-in replacement for Super Pump. The advantage for consumers is its quiet operation and economical performance. The benefits to pool professionals are its ease of installation and reliability. Union fittings are included and the pump easily drops in place.



SKU	Model	Voltage	Full Load Amps	HP	Curve Key
557802	P6E6D-205L	115/230	13.8/6.9	3/4	D



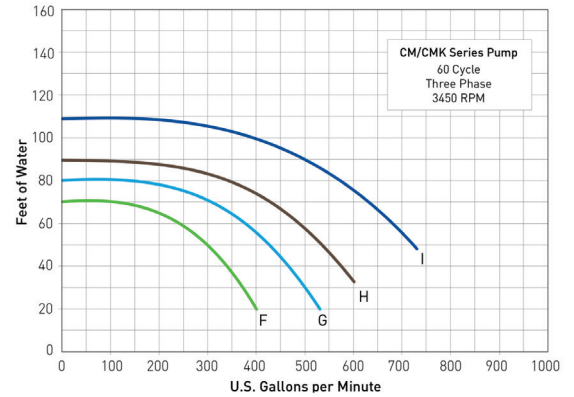


C Series® High Performance Commercial Bronze Pumps

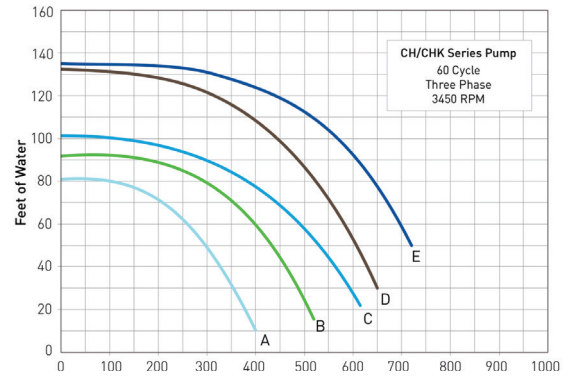
For commercial and high-end residential swimming pools & other water applications. Available in flows to 740 gpm, & from 5 to 20 hp. The C Series pump is a heavy-duty pump specifically designed for large pools, fountains and water attractions that demand high-flow rates & continuous operation. With bronze construction and a stainless steel strainer basket, the C Series pump is perfect for the toughest indoor or outdoor projects. This pump's lasting efficiency, quiet operation, easy maintenance & durability has set the standard for medium & high-head performance in the pool industry for many years. Available with and without a hair & lint strainer.

SKU	Model	Voltage	Amps	HP	Curve Key
900950	CMK-50	220/440	13.0/6.5	5	F
317291	CHK-50	220/440	13.0/6.5	5	A
84557	CHK-75	220/440	18.4/9.2	7-1/2	B
84559	CHK-100	220/440	25.3/12.6	10	C
317295	CMK-150	220/440	37.5/18.8	15	I
84561	CHK-150	220/440	37.5/18.8	15	D
901686	CHK-200	220/440	49.0/24.6	20	E

CM/CMK SERIES PUMP - 60HZ



CH/CHK SERIES PUMP - 60HZ

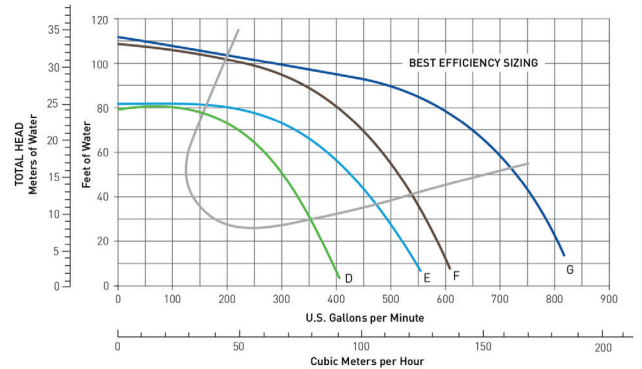


CCSP Series Pump with TEFC motor.

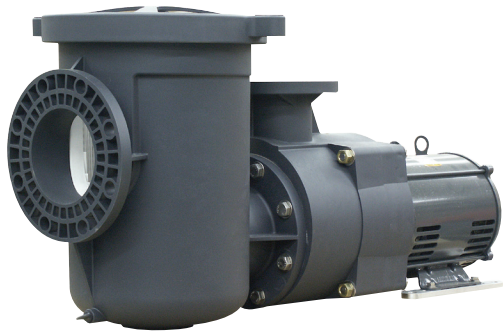
CCSP Series™ Commercial Self-Priming Pump

For commercial and public swimming pools and spas, aquatic facilities, water parks and fountain applications where high performance and self-priming characteristics are desired. Rugged, self-priming CSP Series commercial pumps feature an enclosed bronze impeller, standard 6" x 4" flange connections, plus a 1,100 cubic inch capacity hair and lint strainer. Motors are standard JM type, NEMA® Rated "C" flange design with a stainless steel shaft sleeve. These cast iron pumps are available in 7-1/2, 10, 15 and 20 HP, and may be purchased with or without corrosion-preventing epoxy coating on all wetted surfaces. Pump and strainer sold separately.

S/O CSP Series Pump Strainer sold separately

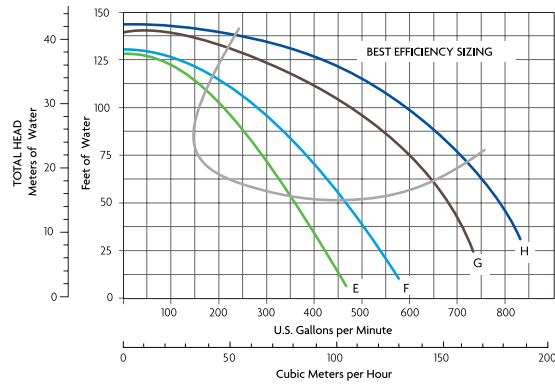


SKU	Model	Voltage	Amps	HP	Carton Wt (Lbs)	Curve Key
318115	CCSPH2K3-142	200	22.1	7-1/2	265	E
318116	CCSPH2L3-143	200	28.1	10	270	F
318117	CCSPH2M3-144	200	42.3	15	280	G
905701	CCSPH2N3-145	200	57.3	20	350	H



EQ Series® High Performance Commercial Pump

For commercial and high-end residential swimming pools and other water applications EQ Series pumps are designed for maximum efficiency and quiet operation in every detail. They are the only non-corrosive, all plastic pumps designed for the commercial pool and water applications market. The EQ Series pump impellers are manufactured for true breakthrough performance, allowing for lower loads and longer motor life. Available with and without the strainer pot. Available in flows to 800 GPM, and from 3 to 15 HP.



SKU	Model	Voltage	Amps	HP	Motor Class	Carton Wt(Lbs)	Curve Key
960711	EQKT-500	208-230/460	13.4-12.2/6.1	5	F	127	D
950431	EQKT-750	208-230/460	19.9-17/8.9	7.5	F	147	E
40149	EQKT-1000	208-230/460	26.4-23.5/11.7	10	F	193	F
950307	EQKT-1500	208-230/460	39.0-36.0/18.0	15	F	207	G



Auroa® 3800 Series and 410 Series

Split case pumps for commercial pools, spas, and other water applications. The 340 and 410 Series are available in horizontal and vertical configurations in horsepower's to 150 and flows to 8,000 GPM.

- Multiple Configurations Available
- Models To 100 Ft. TDH
- Compatible With Acu Drive™ XS VF Drive
- Cast Iron Bronze Fitted Models
- Flooded Suction Applications
- Highly Reliable Performance

Model	Power	RPM	HP Range
2.5 x 3 x 9	3 PH	1800	7.5HP – 10HP
3 x 4 x 9B	3 PH	1800	15HP – 20HP
4 x 5 x 9A	3 PH	1800	7.5HP – 10HP
4 x 5 x 9A	3 PH	1800	15HP – 20HP
4 x 5 x 9B	3 PH	1800	7.5HP – 10HP
4 x 5 x 9B	3 PH	1800	15HP – 20HP
6 x 6 x 9	3 PH	1800	7.5HP – 10HP
6 x 6 x 9	3 PH	1800	15HP – 20HP
5 x 6 x 11	3 PH	1800	15HP – 20HP
5 x 6 x 11	3 PH	1800	25HP – 30HP
6 x 6 x 11	3 PH	1800	15HP – 20HP
6 x 6 x 11	3 PH	1800	25HP – 30HP

- Various Flow Capabilities For All Applications
- Epoxy Coating Option Available
- ODP And Tefc Motors In Standard And Premium Efficiency Available
- PS Series In-Line Strainers Match Up To Most Aurora Pumps
- Precision Cast, Dynamically Balanced, Enclosed Impeller Lasts Longer Than The Competition
- Case Wearing Ring Prevents Wear on Casing and is Easily and Inexpensively Replaced



1 YEAR WARRANTY

HCP 4000 Series Pumps

Hayward Commercial Pool's HCP self-priming pumps provide a technologically advanced alternative to traditional bronze or cast-iron pumps. Their lightweight Noryl® thermoplastic housings make one-man installation easy. The all-plastic housing construction and modern TEFC motor design afford a high level of protection and reliability in the commercial pump-room environment. A transparent lid with a tool-free opening mechanism allows visual inspection of the strainer basket, simplifying maintenance. Four pumps in the Hayward Commercial Series, ranging from 5.5 to 12.5 hp, allow right-sizing for most high-flow, medium head applications.

- Tool-free, quick-release bolted lid mechanism for fast and easy access to strainer basket
- ANSI Standard 50 Certified

1-year limited warranty
S/O



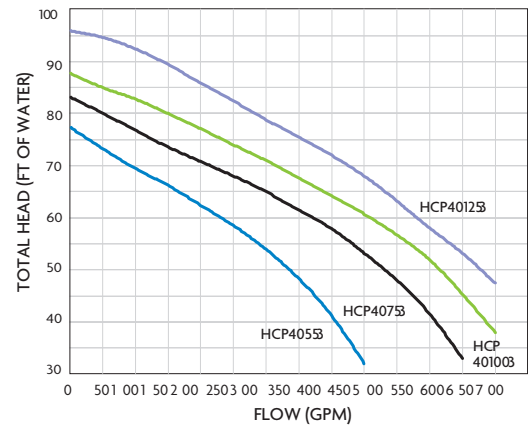
3 YEAR WARRANTY

HCP 3000 Series Pumps

HCP 3000 Series pumps are game changers in commercial pump performance and versatility. Engineered for heavy-duty durability, they set a new standard of flow rate for the 3" union class. A variety of power options, including single or variable speed, means you can provide the optimum solution for a wide range of pools, delivering maximum performance without compromising efficiency. Variable-Speed Pump Model.

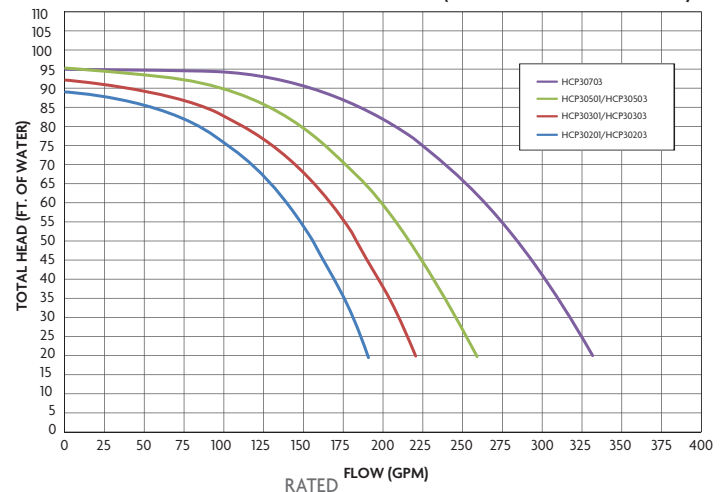
3-Year limited warranty on vsp models
1-Year limited warranty on single speed models
S/O

HCP SERIES PERFORMANCE DATA



SKU	PART #	RATED HP	VOLTAGE	AMPS
S/O	HCP40553	5.5	230/460 THREE PHASE	14.6/7.3
960098	HCP40753	7.5	230/460 THREE PHASE	21/10.5
S/O	HCP401003	10	230/460 THREE PHASE	26.1/13
905314	HCP401253	12.5	230/460 THREE PHASE	31.6/15.8

HCP 3000 SERIES PERFORMANCE DATA 60HZ (SINGLE- AND 3-PHASE MODELS)



SKU	PART #	HP	VOLTAGE	AMPS
950708	HCP3020VSP	2.7	230/460 THREE PHASE	10.9
950709	HCP30201	2.0	230/460 THREE PHASE	8.7-7.9
950707	HCP30301	3.0	230/460 THREE PHASE	11.7-11.5
950712	HCP30501	5.0	208-230V SINGLE PHASE, SINGLE SPEED	21.0-20.0
950710	HCP30203	2.0	208-230/460V THREE PHASE, SINGLE SPEED	7.8-7.6/3.8
904189	HCP30303	3.0	208-230/460V THREE PHASE, SINGLE SPEED	9.2-9.0/4.5
950713	HCP30503	5.0	208-230/460V THREE PHASE, SINGLE SPEED	13.6-13.2/6.6
950714	HCP30703	7.0	230/460V THREE PHASE, SINGLE SPEED	17.2-8.6



HCP 2500 Series Pumps

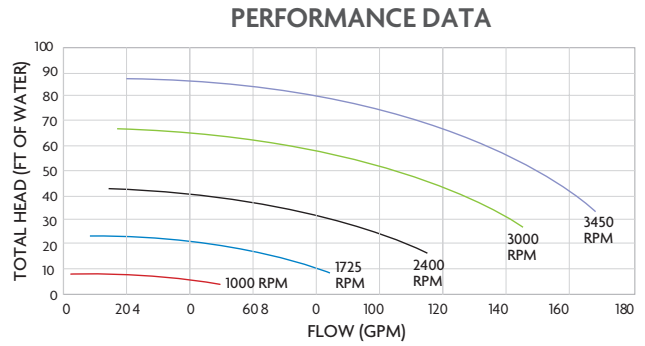
EcoStar® is the industry's most energy-efficient variable-speed pump. It's fully compliant with energy efficiency regulations such as Title 20 and APSP-15 with up to eight custom speed and timer functions, and it's settings can be "locked out" for authorized access only. EcoStar C's advanced hydraulic design moves water more efficiently, operating at lower RPMs to minimize noise and save pool operators up to 90% on energy costs. The system is available with or without integrated SVRS that is fully compliant with the Virginia Graeme Baker Pool & Spa Safety Act. **3-year limited warranty**

Option 1

Control interface can be rotated on the pump for convenient access and viewing.
950031

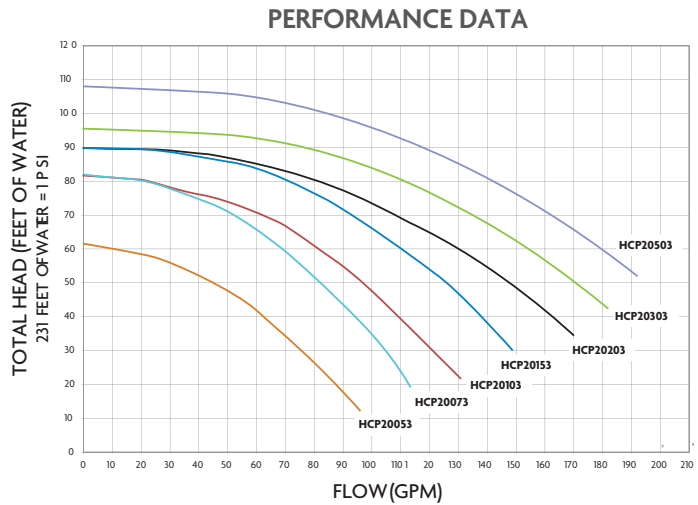
Option 2

For ultimate flexibility, detach the control interface and attach to wall using included mounting kit and communication cable.
902700



Tri Star VS C runs efficiently in all of these ranges.

PART #	DESCRIPTION	SPEED RANGE	VOLTAGE
HCP3400VSP	EcoStar C	600-3450 RPM	230V Single Phase
HCP3400VSPVR	EcoStar C SVRS	1000-3450 RPM	230V Single Phase



SKU	PART #	HP	VOLTAGE	AMPS
957559	HCP20053	.5	208-230/460 THREE PHASE	3.8-3.6/1.8
959570	HCP20073	.75	208-230/460 THREE PHASE	5-4.6/2.3
950031	HCP20103	1	208-230/460 THREE PHASE	6.4-5.8/2.9
956615	HCP20153	1.5	208-230/460 THREE PHASE	6.8-7/3.5
958835	HCP20203	2	208-230/460 THREE PHASE	8-8.4/4.2
950708	HCP20303	3	208-230/460 THREE PHASE	10.8-11.4/5.7
S/O	HCP20503	5	208-230/460 THREE PHASE	13.4/6.7



HCP 2000 Series Pumps

TriStar® Pump features the industry's most energy efficient hydraulics with the 3 to 5 HP pumps providing unmatched performance in semi-commercial applications. Easy to install, service and maintain, TriStar outperforms the competition when it comes to flow, efficiency and value. It's the first to feature a large, no-rib strainer basket design that is quick and easy to clean.

1-year limited warranty
S/O

PUMP & MOTOR PARTS



O-Ring Kits

- New gaskets, seals and O-rings
- 65002 Hayward Super II & RS Pump
- 65005 Pentair Challenger Pump
- 65032 Pentair WhisperFlo Pump
- 65006 Sta-Rite Dura-Glas & Max-E-Glass
- 65774 Pentair BMV (American & PacFab)
- 65775 Hayward BWV SP410
- 65779 Jandy 3-Way Valve

Pool and Spa Lube

- Great for pumps, filters and more
- 68926 3 oz

Seals Plates

- 40736 Seal Plate P/F Challenger
- 40748 Seal Plate SR Duraglass
- other styles and manufacturers available*

Volutes

- 40867 DK Housing P/F Challenger
- 40817 DK Housing SR Duraglass
- other styles and manufacturers available*

Pump Lids

- 40545 Hayward SPX3100D
- 40559 Pentair Challenger 355301
- 40572 Pentair C3139P1

Pump Seals – Viton

- Replace pump seals each time motor is serviced
- 40676 PS100V
- 40677 PS200V
- 40678 PS201V
- 40679 PS1000V

Pump Motor Cover

- 38605

Volute Clamps

- 40217 Clamp Complete P/F Challenger
- 40222 Clamp SR Duraglass
- other styles and manufacturers available*

Knob

- 40529 Knob P/F Challenger Clamp
- 44831 Knob SR Duraglass Clamp
- other styles and manufacturers available*

Impellers

- 40392 Impeller 1.0 hp P/F Challenger
- 40509 Impeller 1.0 hp SR Duraglass
- other styles and manufacturers available*

Diffusers

- 40241 3/4-1.5 hp P/F Diffusers
- 40283 3/4-2 hp P/F Diffusers
- other styles and manufacturers available*

ENERGY EFFICIENT MOTORS



2-Speed Available
Keyed Shaft
also available



Threaded-Shaft Square-Flange

- Full-Rated HP and full-service factor



Single Phase

- 38708 3/4 hp
- 38709 1 hp
- 38710 1.5 hp

Three Phase

- 38711 2 hp

Threaded-Shaft Round-Flange

- Full-Rated HP and full-service factor



- 38714 1.5 hp
- 38715 2 hp

Pentair CVA24Y Valve Actuator

- 24 VAC, 3-Wire 25ft. and 120 Degree Rotation
- Prevents dead-heading of pumps
- Corrosion-proof enclosure
- Includes 25' cable
- Service switch (for flow direction)
- ETL recognized
- 607990 Pentair CVA24Y Valve

PCD-1000 Submersible Pump

Stainless Steel Submersible Pool Service Pump. The PCD-1000 Submersible Pump is designed for swift pool draining and utility applications. Debris and stones up to 3/4" will pass through the pump and an ample 1-1/4". An optional external float switch is included for automatic operation.



EQ Series EEQK 500

This motor is a DE4 Close Coupled Pump. It is a full rated pool and spa motor that has an enclosure that is open drip proof. S/O



NMC Aqua Shield Pro

This pool pump motors are designed with service professionals in mind. Easy to install. S/O



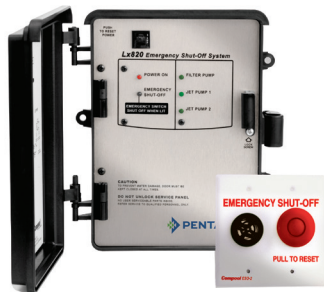
Neptune

1.65 Total Horsepower (THP) variable speed pool pump motor with premium efficiency. S/O



Affinity Pool Motor and Control

- Brushless Permanent Magnet Motor
- Multiple Sizes to Fit Pump Ratings
- S/O



Compool LX820 Controller

- Emergency Shut off
- Filter Pump and Jet Pump #1 Shut-Off
- Extra large emergency switch
- Low voltage operation for increased safety
- LED status indicators
- UL Listed

- 1-Year Limited Warranty
- Optional Jet Pump #2 Shut-Off
- S/O Compool LX820



Increased Pump Performance

The Acu Drive XS VFD drive offers built-in intelligence for increased performance in all aquatic pump applications. Specified to save energy, space, costs and time, the AcuDrive XS VFD drive is built to be the heart of the pump room. With minimal payback time due to energy savings, the Acu Drive XS VFD drive is equipped with a feature that continuously displays the time remaining until the drive pays for itself. Built with powerful standard and optional features specifically designed for energy optimization, the Acu Drive XS VFD drive is perfectly matched with the full line of pumps by Pentair Commercial Aquatics™.



SAVE ENERGY • SAVE COSTS • SAVE SPACE • SAVE TIME

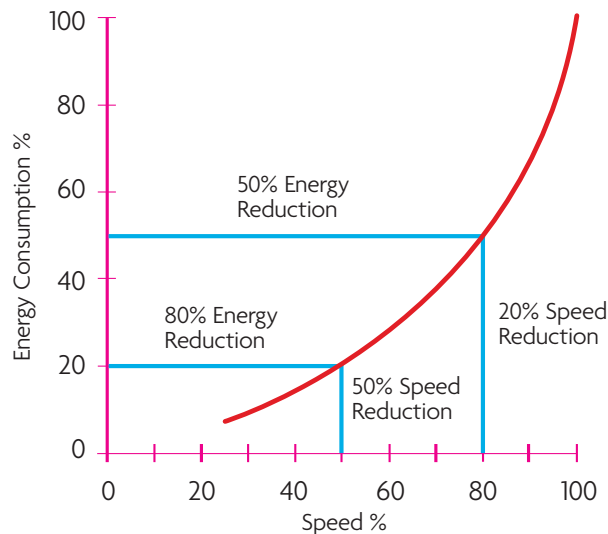
Acu Drive XS VFD

- Save up to 60% or more on pump's electricity usage
- "Right-size" your pump to the exact flow required
- Saves energy with constant flow as the filter gets dirty (with optional flow sensor)
- Off-hour flow management capability
- Does not blow corrosive filter-room air across the circuitry
- High efficiency up to 98% – adjusts drive input voltage for best efficiency point
- Eliminates need for motor starters
- Integrated disconnects, fusing and optional bypasses
- 2-step ramps (Soft Start Feature)
- Real-time clock for time based functions
- Great match for 3-phase models of EQ Series® Pumps
- Overload trip protection protects motor & Acu Drive XS VFD Drive from Voltage Spikes & phase unbalance
- Can connect to an IntelliTouch® Automation System
- Up to a six year on-site warranty available
- Start-up included with every drive (technical training option available)
- Indoor & Outdoor-rated enclosures
- One drive type for the full power range
- For use with 3 phase pumps only
- Acu Drive XS VFD Drives with single phase input power available
- Start-up available with every drive (technical training option available)

S/O Acu Drive XS VFD

Ideal Energy Consumption at Varying Speed

Significant Energy Savings are achieved with even a modest speed reduction



[Click here to Connect with your Account Manager](#)



HRV Series Side Mount Media Filter

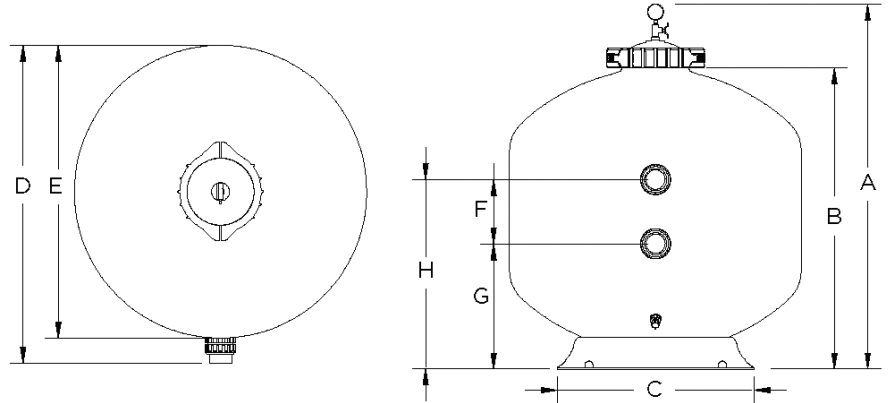
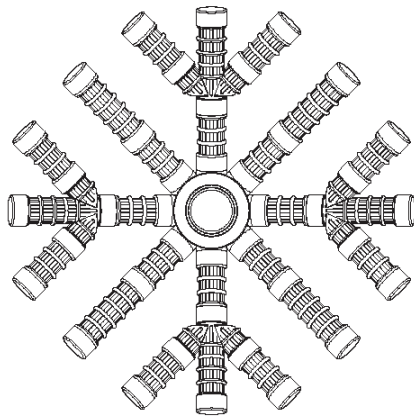
Waterco HRV fiberglass filters embody the latest in fiberglass winding technology. The HRV series filters are constructed from anticorrosive, nontoxic materials and are engineered to withstand the high flow and pressures of todays pool and industrial systems.

- Internal Bulkhead Wall reinforced for structural integrity
- Reinforced neck ring and solid closure
- 2" Multiport Valve, with 2" Bulkhead connections
- Fishtail Lateral improves backwashing hydraulic efficiency
- 10 year tank warranty



Waterco's Fishtail Lateral Underdrain:

- Better coverage eliminates dead space
- Engineered to improve backwash efficiency
- Reduces filtration pressure loss
- In combination with Waterco's glass pearls saves up to 30% of the backwash water



Dimension (in)

Filter Model	A	B	C	D	E	F	G	H
HRV 18	32.66	24.70	17.06	21.72	18.64	7.99	9.25	17.24
HRV 24	37.59	29.62	19.04	27.72	24.64	7.99	11.61	19.61
HRV 30	40.06	32.09	24.55	34.22	31.14	7.99	12.24	20.24
HPV 36	45.47	37.50	24.55	39.59	36.50	7.99	15.63	23.62

Technical Specification

Filter Model	Valve Size	Bed Depth	Filter Area	Filtration Flow Rates		Backwash Flow Rates		Media Volume	Sand 16/30	Glass Pearl	
				5GMP/ft ²	100 GPM/ft ²	Cubic Ft	0.6-1.2 lb				0.6-0.8 lb
301070	HRV 18	2	14	2.17	11	22	33	43	1.80	180	200
301071	HRV 24	2	14	3.14	16	31	47	63	3.00	300	330
301072	HRV 30	2	14	4.19	25	49	74	98	5.00	500	550
301073	HRV 36	2	14	7.07	35	71	106	141	8.00	800	880

- Fiberglass filament wound tank
- 2" Multiport Valve included - Part# 2290590
- 2" bulkhead connections
- 50 psi maximum operating pressure
- Exclusive "Fishtail" lateral underdrain system



SM Waterco Commercial Fibreglass Vessel

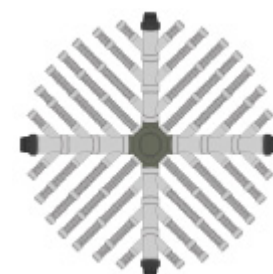
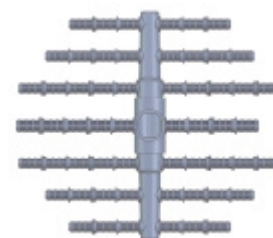
Waterco Commercial Fibreglass Vessels embody the latest in fibreglass winding technology. Waterco Commercial Vessels consist of an inner shell of fibreglass reinforced polyester resin wound over with fibreglass filament. Waterco's digitally controlled filament winding faultlessly winds continuous strands of high quality fibreglass filament under controlled tension to create a refined consistency and superior quality. There are no special tank linings which can corrode or electrolyse.

- Fibreglass wound tank, UV and Corrosion Resistant
- Hydraulically balanced laterals to maximise water flow and filtration
- Optional six position Multiport valve with sight glass and quick connect half unions
- Available in filter areas of 1.13m² to 2.01m²
- Pressure rated at 250 kPa (36 psi), 400 kPa (58 psi), 600 kPa (87psi) and up to 800 kPa (116 psi)
- Maximum working temperature of 50°C (122°F) Optional sight glasses and lateral man holes
- Optional fibreglass reinforced vinyl ester for improved chemical resistance



Specifications

Filter Model	Port Size	Bed Depth	Filter Area	Tank Diameter	Overall Height	Filtration Flow Rates		Backwash Flow Rates		Media Volume	Sand 16/30	Glass 0.6-0.8
	Inches	Inches	Feet	Inches	Inches	5 GMP/ft ²	10 GMP/ft ²	15 GMP/ft ²	20 GMP/ft ²	Cubic Ft	lb	lb
						Flux Rate		Flux Rate				
SM36 - 3"	3.0	15.00	7.05	36	42	35.3	70.5	105.8	141.0	10.42	950	1051
SM42 - 3"	3.0	18.50	9.83	42	49	49.2	98.3	147.5	196.6	16.20	1477	1634
SM48 - 3"	3.0	19.69	13.40	48	58	67.0	134.0	201.0	268.0	27.09	2469	2731



Conventional laterals are not suitable for large-scale commercial filters as "dead legs" exist between the laterals, which compromises water flow through the filter bed. Waterco's unique "fish tail" lateral configuration eliminates this problem by providing effective coverage of the filter bed and balanced water flow.



Hayward Commercial Sand Filters

- Tool-free, twist-lock, threaded-free dome-tip lid with O-ring seal
- Commercial grade, 1.5" one-piece injection molded, 360 degree slotted laterals arranged in a grid array provide superior filtration performance
- Large 9" top opening for easy media loading and filter inspection
- Full 2" bottom drain including a 3/8" integral water drain with media screen
- Factory-built manifolds available for configuring banks up to 6 filters

84629	34" with 2" Threaded Connection
84630	34" with 3" Threaded Connection
S/O	34" with 3" Flange Connection
84632	36" with 2" Threaded Connection
84633	36" with 3" Threaded Connection
S/O	36" with 3" Flange Connection



ProsSeries Plus Semi-Commercial Sand Filters

- Durable, flanged inspection cover provides convenient access to top of filter
- Unitized, corrosion-proof, spherical filter tank molded of rugged, colorfast polymeric material for maximum strength and longer life
- Optional valve and coupling selections for plumbing ease and versatility. Choose from 6-position VariFlo® valve or 1 1/2" socket x 2" slip connectors for multiple (tandem) filter installations

950702	without Valve
306356	31" with 2" Slide Valve
42088	36" without Valve



Hayward Commercial Cartridge Filter

- Extra-long filter cycles, up to 35% longer than 500 sq ft models
- Heavy-duty dirt-holding capacity
- No backwashing: Save up to 92% on rinse vs. backwash, which can translate to thousands of gallons per season
- No multi-port valve: considerably less flow restriction improves overall system's energy efficiency
- Combination pressure and filter cleaning cycle indicator
- CPVC Union coupling connection provides 2" x 2 1/2" piping with 2" full flow internal piping

42053 700 sq ft

Largest capacity cartridge Filter: 700 sq ft



Hayward D.E. Filters

- Pro-Grid vertical grid D.E. filters provide superior water clarity, efficient flow and large capacity
- Self-aligning tank top and bottom make servicing the grid elements fast and simple
- Multi-port valve and D.E. sold separately

342052	36 sq ft
342054	48 sq ft
342056	60 sq ft



Hayward SwimClear Cartridge Filters

- New, stronger PermaGlass XL tanks are durable enough to meet the demands of the toughest applications
- Easy to maintain Quad-Cluster cartridge elements in 325, 425 or 525 sq ft sizes
- Larger heavy-duty cartridge elements for extra long filter cycles
- Self-aligning tank top and bottom make servicing the elements fast and simple
- No valves or backwashing necessary

342048	325 sq ft
342049	425 sq ft
342051	525 sq ft

HAYWARD HCF SAND FILTER VALVES



3" Multiport Valve Kit

Rated for a maximum flow of 325 GPM, the Hayward 3" Multiport Valve is the perfect complement to the Hayward HCF343T and HCF363T commercial sand filters. For optimum flexibility in the commercial setting, the valve features 3" NPT ports for in-filled configuration and plumbing. The six-position valve facilitates selection of filter, backwash, waste, rinse, closed or recirculate modes at the turn of a single lever.

42065	Valve Only
42067	Valve Plumbing Kit

Centrifugal Water Filtration

The MultiCyclone works on the basis of centrifugal water filtration. There are no moving parts to wear and tear, and no filter media to clean or replace.

Waterco's award winning MultiCyclone is a brilliant 1st Stage Industrial Filtration device that works on the basis of centrifugal water filtration and is designed with no moving parts and no filter media to clean or replace.



- Minimizes filter maintenance and saves water
- No filter media to clean or replace
- Suitable for new and existing installations
- 2 year warranty



MultiCyclone Featured Highlights

- 2" quick fit union
- UV and corrosion resistant
- Hydraulically efficient design
- 16 multiple hydro cyclones
- Glass filled reinforced thermoplastic
- Lock ring
- Clear poly carbonate sediment chamber
- 1" sediment purge valve

Model	Connection Ports	Minimum Flow	Maximum Flow	Maximum Pressure
42290	37.59	29.62	19.04	27.72

1. Incoming water enters 16 hydro cyclones tangentially, generating a strong centrifugal effect.
2. The sediment is spun out to the hydro cyclone's wall, and then spirals down to the sediment chamber*.
3. The filtered water migrates towards the center of the hydro cyclone where the flow reverses and spirals upwards through the outlet.
4. Accumulation of sediment can be visibly monitored through the MultiCyclone's clear sediment chamber.

*Note: The MultiCyclone is designed to filter sediment that is heavier than water, floating debris cannot be filtered out by centrifugal filtration.

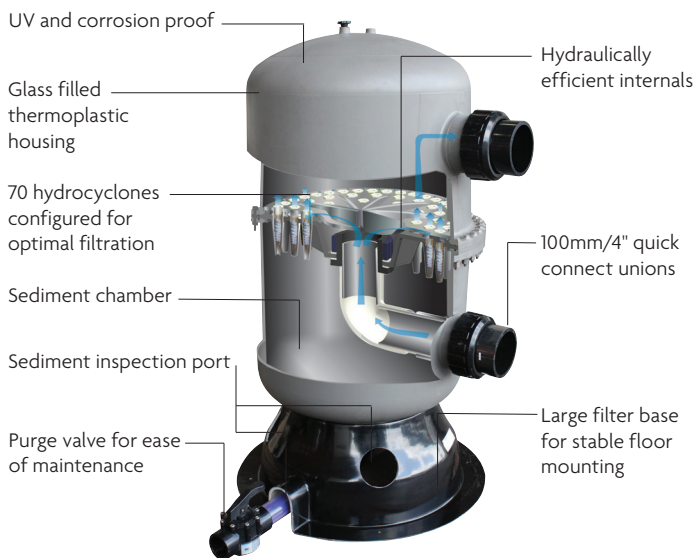
WATERCO MULTICYCLONE 70 XL FILTER

1st Stage Industrial Centrifugal

The MultiCyclone Commercial 70XL is a new addition to the MultiCyclone range. Although very different in appearance to the previously released models, this unit still has all the water and energy saving benefits of the standard MultiCyclone model. Specifically designed for commercial installations, the MultiCyclone Commercial has 4" ports and uses 70 cyclones allowing it to function with a flow rate of 423 gpm. The debris can be seen through the clear sight glass and flushed out of the purge valve.

- Ideal for new and existing installations
- Dramatically reduces waste water
- Extends filter cycles by at least 4 times
- No filter media to clean or replace
- Simple installation
- Works with all equipment brands
- 2 year warranty

Model	Connection Size	Minimum Flow	Maximum Flow	Maximum Pressure
905100	4"	105	423	50



1. Incoming water enters 70 hydro cyclones tangentially, generating a strong centrifugal effect.
2. The sediment is spun out to the hydro cyclone's wall, and then spirals down to the sediment chamber*.
3. The filtered water migrates towards the centre of the hydro cyclone where the flow reverses and spirals upwards through the outlet.
4. Accumulation of sediment can be visibly monitored through the MultiCyclone's inspection ports.
5. The MultiCyclone is easily cleaned by opening its purge valve. Only 300 liters of water is discharged to cleanse the MultiCyclone.

*Note: The MultiCyclone is designed to filter sediment that is heavier than water, floating debris cannot be filtered out by centrifugal filtration.



[Click here to Connect with your Account Manager](#)



High Capacity Fiberglass Side Mount Sand Filter Without Valves



Triton Featured Highlights

- Maximum Operating Pressure 50 psi
- Full 2 in. Drain
- 8" opening for easy access to sand bed
- The Triton C-3 features standard 3" flange connections
- TR 100C-3 & TR 140C-3 models are available in black only

This filter series features multiple diverters for increased filtration rates in commercial applications up to 20 GPM/sq. ft.

Triton C Sand Filters

- Available with 2" or 3" flange connections
- Maximum operating pressure 50 psi
- Large 8" top opening for easy access to sand bed
- No special adapters necessary with flange connections
- Perfect for installing a series of filters in tandem for large bodies of water
- Full 2" drain for easy cleaning & changing sand
- Valve not included

84496 TR100C 4.91 sq ft 30"
84497 TR140C 7.06 sq ft 36"

Triton C-3 Sand Filters

- Available with 2" or 3" flange connections
- Maximum operating pressure 50 psi
- Large 8" top opening for easy access to sand bed
- No special adapters necessary with flange connections
- Perfect for installing a series of filters in tandem for large bodies of water
- Full 2" drain for easy cleaning & changing sand
- Valve not included

84498 TR100C 3" Flng 4.91 sq ft 30"
84499 TR140C 3" Flng 7.06 sq ft 36"



Triton HD Side Mount Filters

- All the same great performance and features of the original Triton filter with maximum operating pressure of 75 psi for those special high pressure installations such as single pump in-floor cleaning systems
- 369311 Tank w/ft TR100 HD



Triton Tandem Filter Kits

- Designed to connect two Triton filters
- Kits contain: 12 flanges; 4-butterfly valves; 4-pack of 3" bolts with gaskets; 4-SXSXS tees; 4-45 degree elbows; 4-valve stud pack; three, 2" saddle SKTs and one, 2" flange SKT
- Filter "adder" kits are also available to connect additional filters if more than two filters are necessary (call for more information)

84462 3" Pipes schd 40 2 C-filters
84465 6" Pipes schd 80 2 C-filters
84466 3" Pipes schd 40 2 C3-filters
901114 4" Pipes schd 40 2 C3-filters
900004 4" Pipes schd 80 2 C3-filters
951042 6" Pipes schd 80 2 C3-filters
For Additional Filters S/O Adder Kits

Pentair Quad D.E. Filters

- Four large-capacity cartridges provide maximum filter surface area for greater dirt-trapping capacity and longer periods between cleanings
- Unique internal flow path ensures optimum filtration and backwashing efficiency
- Chemical resistant, fiberglass reinforced polypropylene tank for exceptional strength and long life

43507 CO Quad D.E. 60 Sq ft Filter
 43508 CO Quad D.E. 80 Sq ft Filter
 43509 CO Quad D.E. 100 Sq ft Filter



System 3 Modular

D.E. Filters

- Typical Installations – Inground pools, inground hot tubs, and water features
- Quality Construction – Durable 2-piece tank housing constructed of Dura-Glas™, Sta-Rite's industry leading glass-reinforced composite resin
- Modular Filter Tanks – Allows for quick change of filter medias without changing the tank

300205 Sta-Rite S7MD60
 300206 Sta-Rite S7MD72



System 3 Modular

Medium Filters

- Typical Installation – Inground pools, inground hot tubs, and water features
- Low Maintenance – Complete media coverage combined with shallow pleats means greater dirt holding capabilities, resulting in longer filter cycles and less cleaning
- Dual Drain Plugs – Side plug available for plumbing to waste, while the bottom plug will drain entire filter

300202 Filter 300SF 50-100GPM
 300203 Filter 400SF 50-115GPM



Pentair Clean & Clear Plus Filters

Clean & Clear® Plus Filters have a corrosion resistant injection molded filter tank featuring superior strength and reliability. The cartridge assembly uses four easy to clean, non-woven, polyester cartridges. Each filter is supplied with a bulkhead union set for easy installation

42043 CCP240 90GPM
 42044 CCP320 120GPM



Installation available in most areas



PENTAIR FILTER VALVES



84500



44923

Backwash Valves for 1-1/2" & 2" D.E. and Sand Filters

Side mounted HiFlow™ and Multiport Valves are designed for maximum performance and working pressures. Available in 1-1/2" and 2" threaded or slip models.

- PVC body
- Special winterizing position
- The right valve for easy operation
- Six-position, positive-lock operation

84500 HiFlow Valve Kit
 44923 PVC Slide Valve Kit
 84512 Multiport Valve Kit
 324808 FullFloXF™ Backwash Valve Kit

Backwash Valve for Side Mounted Sand and D.E. Filters

The side mounted HiFlow valve is designed for maximum performance and working pressures. Available in 2" slip models.

- PVC body
- Large, one-piece handle for trouble-free operation
- Six-position, positive-lock operation
- Noryl heavy-duty diverter

602278



84512



324808



602278



44073

Backwash Valves for D.E. and High-Rate 8" Centerline Sand Filters

Pre-plumbed Push Pull and Multiport Valves are complete with bulkhead unions for simple installations with filters. The 1-1/2" Side Mount Multiport Valves are rated at 100 GPM to accommodate most installations. The 2 in. Side-Mount MPV is rated at 125 GPM. Push Pull valves are 2" socket. All valves are 100% factory tested.

- 60 GPM (1-1/2" side mount)
- 125 GPM (2" side mount)
- Site glass included (MPVs)

602235 2 in Multiport for DE Filters
 44073 Push Pull Valve for Sand and DE



602235



Multiport Valve



505113

ABS Slide Valves/ Multiport Valves Side Mount

Two-position backwash valves have minimal flow restriction. Innovative handle design allows easier operation; pin locks valve in filter position. Connects directly to side ports in D.E. or sand filters with 2" PVC unions.

505113 Push Pull Valve
 S/O Multiport Valve Various Configurations

FILTER REPLACEMENT CARTRIDGES & GRIDS



More Sizes to Choose From!

Pentair Cartridges

- 46056 CCP320 each
- 46058 CCP420 each
- 46060 CCP520 each

Harmsco Filters

- 46125 Red Top each



D.E. Grids For Anthony Filter

- 46415 19" Round each
- 46323 13.5" x 24" each
- 46326 17.5" x 24" each

D.E. Grids For Purex Filter

- 46347 36 sq ft each
- 46350 48 sq ft each
- 46355 60 sq ft each
- 46356 72 sq ft each

Universal Grids For D.E. Filters

- 46500 24 sq ft full each
- 46502 36 sq ft full each
- 46504 48 sq ft full each
- 46506 60 sq ft full each
- 46508 72 sq ft full each
- 46510 24 sq ft partial
- 46512 36 sq ft partial
- 46514 48 sq ft partial
- 46516 60 sq ft partial
- 46518 72 sq ft partial

CLEANERS & MEDIA



Spray & Rinse

- Simply spray it on and rinse it off
- 14390 16 oz



Cartridge Cleaner

- Specially formulated surfactant to remove oils from cartridge filter elements
- Ideal for pool and spa cartridges
- 14225 1 qt
- 14227 1/2 gal



Sand Filter Revitalizer

- Simply pour through skimmer during each backwash
- Degreases & "loosens" sand bed by removing caked on organics & inorganics
- 86164 Kit (12 x 1 qt)



Dr. Dryden's Activate

- Up to 300 times more surface area than sand
- Attracts & captures harmful bacteria & prevents the growth of bacteria & algae
- 902029 Grade 1 Fine 25 lb



Diatomaceous Earth

- Specifically formulated for pools
- 14314 24 lb Bag
- 14698 Scoop for D.E.
- Additional freight may be required*



Cellulose Fiber

- The SAFE alternative to Diatomaceous Earth (D.E.)
- Environmentally friendly; nontoxic; biodegradable; filters finer than D.E.!
- 14341 3 lb Bag



Natural Zeolite Sand

- Strong and environmentally safe
- Catches very small particles which helps to reduce eye irritation
- Lowers the amount of chemicals used to keep your pool looking great
- 14344 25 lb Bag



Silica Filter Sand

- 14699 50 lb Bag
- 14700 50 lb Bag (CA only)
- 81188 250 lb Kit (5 x 50 lb bags)
- Additional freight may be required*

No More Clogged Flowmeters!

Rola-Chem's Flowmeters Have A Wide Chamber That Greatly Reduces Mineral Deposits By Allowing Higher Flow Volume

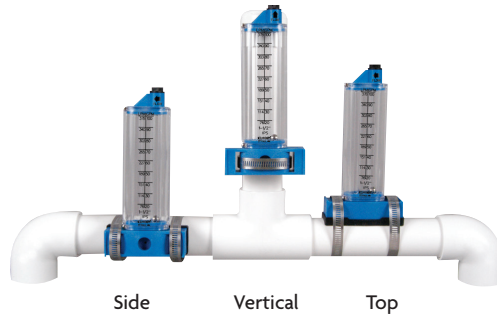
Designed to be compatible with practically every existing flowmeter, replace your old clogged flowmeters with these accurate, easily serviced units from Rola-Chem.

ACCURATE READINGS

- Our heavy-duty gasket ensures airtight seals

VISUAL INDICATOR

- Calibrated on both sides in gallons and liters per minute



SERVICEABLE

- Easily open and remove calcium deposits, if necessary

FULL RANGE MOUNTING

- Side 1" to 8", vertical 1" to 8" or top 1" to 8"; vertical mount is available in up or down reading, please specify when ordering
- Requires 3/4" diameter hole in pipe

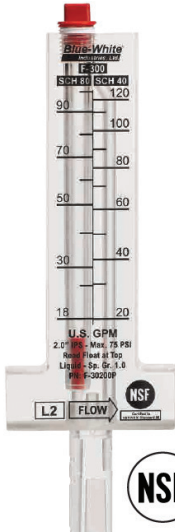
EASY-TO-READ BOBBIN

- 316 stainless steel ball prevents corrosion

FLOWMETER SPECIFICATIONS - MINIMUM DIMENSIONS

SKU	PIPE MATERIAL	PIPE SIZE	A* MINIMUM	B** MINIMUM	RANGE GPM	RANGE LPM	CLAMP SIZE	MOUNT POSITION
315998	PVC-GALV	1"	5"	10"	10-30	38-114	40	T
400362	PVC-GALV	1.25"	6"	11"	15-50	57-189	44	T
200953	PVC-GALV	1.5"	8"	15"	25-60	95-227	44	T
200559	PVC-GALV	2"	10"	20"	40-140	151-530	56	T
903473	PVC-GALV	2.5"	13"	25"	70-240	265-908	64	T
401806	PVC-GALV	3"	15"	30"	100-300	379-1136	64	T
400371	PVC-GALV	4"	20"	40"	175-500	662-1893	44 (2)	T
400371	PVC-GALV	6"	30"	60"	400-1050	1514-3975	64 (2)	T
903030014	PVC-GALV	8"	40"	80"	700-1900	2650-7192	72 (2)	T

BLUE-WHITE FLOWMETERS



F-300 Flowmeter

- Highly accurate (5%)
- Installs in 2 minutes or less
- Mounts on existing pipe, no unions or adapters
- Ships complete with gasket and mounting clamps
- Straight run of pipe reduced

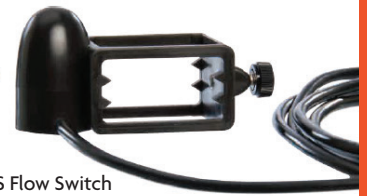
F-300 Flowmeter

Optional Flow Switch is designed to detect flow / no flow when the new F-300 flowmeter PVDF float enters the alarm trigger zone of the F-300S sensor. The built-in dry contact switch closes - providing a trigger to external devices.

Models Include:

F-300SL: 1 - 2" pipe size

F-300SL: 2 1/2" - 4" pipe size



F-300S Flow Switch

Is your circulation pump working properly? Is your filter clogged? F-300S takes the guesswork out!



F-300 shown with optional F-300S Flow Switch

MODEL NUMBER	PIPE SIZE	PIPE MATERIAL	SCH 40	SCH 80 (GMP)
F-30100*	1" IPS	PVC	5-35 GMP	4-26 GMP
F30125P	1.25" IPS	PVC	9-50 GMP	8-40 GMP
F30150*	1.5" IPS	PVC	10-70 GMP	10-60 GMP
F-30200*	2" IPS	PVC	20-120 GMP	18-100 GMP
F-30250P	2.5" IPS	PVC	29-150 GMP	25-130 GMP
F-30300P	3" IPS	PVC	45-240 GMP	40-215 GMP
F-30400P	4" IPS	PVC	79-420 GMP	70-375 GMP
F-30600P	6" IPS	PVC	170-1100 GMP	160-1000 GMP
F-30800P	8" IPS	PVC	300-2200 GMP	275-1950 GMP



Saddle Mount Fitting

F-1000 Paddlewheel Flowmeter

For vertical or horizontal installation. Easy to install, easy to operate. The BW DIGI-Meter® F-1000 is an excellent choice for accurate flow measurement.

[Click here to Connect with your Account Manager](#)

VALVES



**COMPACT BALL VALVES
QVC SERIES**

- Pressure Rating 150 psi
 - EPDM Seals
 - Santoprene® Seats
- S/O Compact Ball Valve
Available in Gray or White

PART NUMBER	SIZE/DESCRIPTION	PART NUMBER	SIZE/DESCRIPTION
QVC1005SEGG	.5" Socket Gray	QVC1005TSEG	.5" Threaded Gray
QVC1010SSEG	1" Socket Gray	QVC1010TSEG	1" Threaded Gray
QVC1015SSEG	1.5" Socket Gray	QVC1015TSEG	1.5" Threaded Gray
QVC1020SSEG	2" Socket Gray	QVC1020TSEG	2" Threaded Gray
QVC1025SSEG	2.5" Socket Gray	QVC1025TSEG	2.5" Threaded Gray
QVC1030SSEG	3" Socket Gray	QVC1030TSEG	3" Threaded Gray
QVC1040SSEG	4" Socket Gray	QVC1040TSEG	4" Threaded Gray
QVC1005SSEW	.5" Socket White	QVC1005TSEW	.5" Threaded White
QVC1010SSEW	1" Socket White	QVC1010TSEW	1" Threaded White
QVC1015SSEW	1.5" Socket White	QVC1015TSEW	1.5" Threaded White
QVC1020SSEW	2" Socket White	QVC1020TSEW	2" Threaded White
QVC1025SSEW	2.5" Socket White	QVC1025TSEW	2.5" Threaded White
QVC1030SSEW	3" Socket White	QVC1030TSEW	3" Threaded White
QVC1040SSEW	4" Socket White	QVC1040TSEW	4" Threaded White



**True Union Compact
Ball Valves QTA Series**

- Pressure Rating 150 psi
 - EPDM Seals
 - Santoprene Seats
- S/O Compact Ball Valve

PART NUMBER	SIZE/DESCRIPTION	PART NUMBER	SIZE/DESCRIPTION
QTA1010CSEG	1" Socket/Threaded Gray	QTA1010CSEW	1" Socket/Threaded White
QTA1015CSEG	1.5" Socket/Threaded Gray	QTA1015CSEW	1.5" Socket/Threaded White
QTA1020CSEG	2" Socket/Threaded Gray	QTA1020CSEW	2" Socket/Threaded White



**True Union
PVC Ball Valves
TBB Series**

- Pressure Rating 225 psi
 - EPDM Seals
 - PTFE Seats
- S/O PVC Ball Valve

PART NUMBER	SIZE/DESCRIPTION	PART NUMBER	SIZE/DESCRIPTION
TBB1005CPEG	.5" Socket/Threaded	TBB1012CPEG	1.25" Socket/Threaded
TBB1007CPEG	.75" Socket/Threaded	TBB1015CPEG	1.5" Socket/Threaded
TBB1010CPEG	1" Socket/Threaded	TBB1020CPEG	2" Socket/Threaded



**True Union
PVC Ball Check Valves
TC Series**

- Pressure Rating
150 psi: 2 1/2" – 6"
 - 235 psi: 1/2" – 2"
 - EPDM Seals
- S/O PVC Ball Check Valve

PART NUMBER	SIZE/DESCRIPTION	PART NUMBER	SIZE/DESCRIPTION
TC10050STE	.5" Socket / Threaded	TC10200STE	2" Socket / Threaded
TC10075STE	.75" Socket / Threaded	TC1250TE or SE	2.5" Socket or Threaded
TC10100STE	1" Socket / Threaded	TC1300TE or SE	3" Socket or Threaded
TC10125STE	1.25" Socket / Threaded	TC1400TE or SE	4" Socket or Threaded
TC10150STE	1.5" Socket / Threaded	TC1600FE	6" Flanged



**True Union PVC Ball
Valves TB Series**

- Pressure Rating
250 psi: 1/2" – 2"
 - 235 psi: 2 1/2" – 4"
 - 150 psi: 6"
- S/O PVC Ball Valve

PART NUMBER	SIZE/DESCRIPTION	PART NUMBER	SIZE/DESCRIPTION
TB1050STE	.5" Socket / Threaded	TB1400TE or SE	4" Socket or Threaded
TB1050ST	.5" Socket / Threaded	TB1400T or S	4" Socket or Threaded
TB1075STE	.75" Socket / Threaded	TB1600FE	6" Flanged
TB1075ST	.75" Socket / Threaded	TB1600F	6" Flanged
TB1100STE	1" Socket / Threaded	TB1200STE	2" Socket / Threaded
TB1100ST	1" Socket / Threaded	TB1200ST	2" Socket / Threaded
TB1100T	1" Socket / Threaded	TB1250TE or SE	2.5" Socket or Threaded
TB1125STE	1.25" Socket / Threaded	TB1250T or S	2.5" Socket or Threaded
TB1125ST	1.25" Socket / Threaded	TB1300TE or SE	3" Socket or Threaded
TB1150STE	1.5" Socket / Threaded	TB1300T or S	3" Socket or Threaded
TB1150ST	1.5" Socket / Threaded		

**Actuated Ball Valves
EAU Series**

- Pressure Rating 250 psi
- True Union Design
- EPDM or FPM Seals
- PTFE Seat



Electric actuator details

- 90-degree operation
 - UL/CSA Listed mo
 - Light weight and compact design
- S/O Actuated Ball Valve

PART NUMBER	SIZE/DESCRIPTION	PART NUMBER	SIZE/DESCRIPTION
EAUTB105STE	.5" EPDM Socket / Threaded	EAUTB105STV	2" Socket / Threaded
EAUTB107STE	.75" EPDM Socket / Threaded	EAUTB107STV	.75" FPM Socket / Threaded
EAUTB110STE	1" EPDM Socket / Threaded	EAUTB110STV	1" FPM Socket / Threaded
EAUTB115STE	1.5" EPDM Socket / Threaded	EAUTB115STV	1.5" FPM Socket / Threaded
EAUTB120STE	2" EPDM Socket / Threaded	EAUTB120STV	2" FPM Socket / Threaded



**True Union
Three-Way Ball Valves
TW Series**

- Pressure Rating 150 psi
 - Position Indicator
 - EPDM Seals
- S/O Three-Way Ball Valve

PART NUMBER	SIZE/DESCRIPTION	PART NUMBER	SIZE/DESCRIPTION
TW1050STE	.5" Socket / Threaded	TW1250SE	2.5" Socket
TW1075STE	.75" Socket / Threaded	TW1250TE	2.5" Threaded
TW1100STE	1" Socket / Threaded	TW1300SE	3" Socket
TW1125STE	1.25" Socket / Threaded	TW1300TE	3" Threaded
TW1150STE	1.5" Socket / Threaded	TW1400SE	4" Socket
TW1200STE	2" Socket / Threaded	TW1400TE	4" Threaded



Full Pattern PVC Water Check Valves WCV Series

- Pressure Rating 150 psi
 - One-Piece Disk and Shaft Design
 - FPM or EPDM Gasket and Face Seal
- S/O PVC Water Check



Full Pattern PVC Water Check Valves WCV Series

- Pressure Rating 150 psi
 - One-Piece Disk and Shaft Design
 - FPM or EPDM Gasket and Face Seal
- S/O PVC Water Check

PART NUMBER	SIZE/DESCRIPTION	PART NUMBER	SIZE/DESCRIPTION
WCV1200E	2" EPDM Wafer Check	WCV1200ES	2" EPDM Wafer Check w / Spring
WCV1250E	2.5" EPDM Wafer Check	WCV1250ES	2.5" EPDM Wafer Check w / Spring
WCV1300E	3" EPDM Wafer Check	WCV1300ES	3" EPDM Wafer Check w / Spring
WCV1400E	4" EPDM Wafer Check	WCV1400ES	4" EPDM Wafer Check w / Spring
WCV1600E	6" EPDM Wafer Check	WCV1600ES	6" EPDM Wafer Check w / Spring
WCV1800E	8" EPDM Wafer Check	WCV1800ES	8" EPDM Wafer Check w / Spring
WCV1200V	2" FPM Wafer Check	WCV1200VS	2" FPM Wafer Check w / Spring
WCV1250V	2.5" FPM Wafer Check	WCV1250VS	2.5" FPM Wafer Check w / Spring
WCV1300V	3" FPM Wafer Check	WCV1300VS	3" FPM Wafer Check w / Spring
WCV1400V	4" FPM Wafer Check	WCV1400VS	4" FPM Wafer Check w / Spring
WCV1600V	6" FPM Wafer Check	WCV1600VS	6" FPM Wafer Check w / Spring
WCV1800V	8" FPM Wafer Check	WCV1800VS	8" FPM Wafer Check w / Spring



Butterfly Valves BYV Series

- Lever operated
 - Pressure Rating 150 psi
 - PVC Body and Disc
 - EPDM Liner
- S/O Butterfly Valve



Butterfly Valves Pure-Blu™ BYCN Series

- Lever Operated
 - Pressure Rating 150 psi
 - EPDM Seals
 - Santoprene® Seats
- S/O Butterfly Valve Pure-Blue

PART NUMBER	SIZE/DESCRIPTION	PART NUMBER	SIZE/DESCRIPTION
BYV11020A0EL000	2" Lever	BYV11040A0EL000	4" Lever
BYV11025A0EL000	2.5" Lever	BYV11060A0EL000	6" Lever
BYV11030A0EL000	3" Lever	BYV11080A0EL000	8" Lever



Butterfly Valve Pureblu Byn Series

- Pressure Rating 150 psi, gear operated
 - PVC Body and Disc
 - EPDM Liner
- S/O Butterfly Valve



Butterfly Valves BYV Series

- Pressure Rating 150 psi
 - PVC Body and Disc
 - EPDM Liner
- S/O Butterfly Valve

PART NUMBER	SIZE/DESCRIPTION	PART NUMBER	SIZE/DESCRIPTION
BYCN1020EIGGB	2" Gear	BYCN1040EIGGB	4" Gear
BYCN1025EIGGB	2.5" Gear	BYCN1060EIGGB	6" Gear
BYCN1030EIGGB	3" Gear	BYCN1080EIGGB	8" Gear

PENTAIR VALVES



Diverter And Check Valves 1-1/2" And 2"

- 2-Way, 3-Way And Check
 - All valves available in CPVC or PVC
 - Maintenance-free PTFE coated diverter seal
 - Optimum positive-seal
 - High Flow Rate
 - Withstands pressure up to 150 psi
 - Used for diverting, shut-off or mixing applications
- S/O Diverter and Check Valves



Fullfloxx Diverter & Check Valves 2-1/2" & 3"

- Valves available in CPVC for maximum heat resistance
- Maintenance-free PTFE coated diverter seal
- Optimum positive-seal
- Maximum Flow Rate, low head loss
- Chemical-resistant
- Used for diverting, shut-off or mixing applications
- Accepts 2-1/2" and 3" PVC plumbing
- Field-adjustable stop positions
- Plumbed with inlet at any port
- Designed to work with most industry standard actuators

Jandy Check Valves

607909 Swing Check Valve

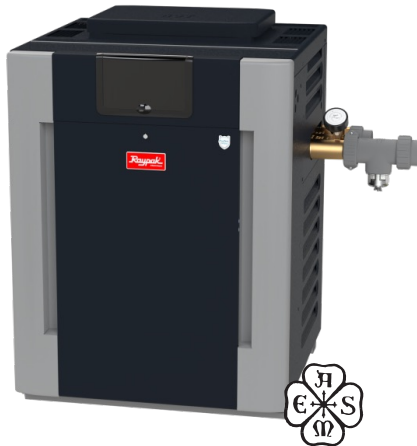
263068 263060
263056 263077
263057 263059



EST 3-PHASE ELECTRIC POOL & SPA HEATER, 0018-0054

- Durable design – Titanium heating elements
- Easy to understand codes – 80-character display
- Includes: Flow Protection, Low-Temp Operating Mode, and Load Detection

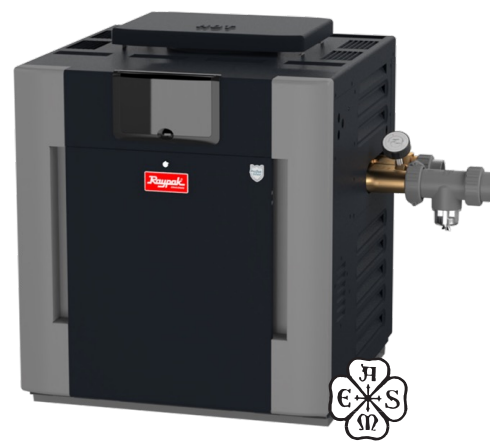
ELS-R-0018-3-TI 61 18 kW 208V
 ELS-R-0018-4-TI 61 18 kW 480V
 ELS-R-0024-3-TI 81 24 kW 208V
 ELS-R-0024-4-TI 81 24 kW 480V
 ELS-R-0030-3-TI 102 30 kW 208V
 ELS-R-0030-4-TI 102 30 kW 480V
 ELS-R-0045-4-TI 153 45 kW 480V
 ELS-R-0054-4-TI 184 54 kW 480V



DIGITAL ASMEGAS POOL & SPA HEATER, 206A-406A

- Bronze headers with 2" water connections
- ProTek Shield™ module – built-in anode
- 2 Year Warranty

P-R206A-E*-C 199 Copper 120/240VAC
 P-R266A-E*-C 266 Copper 120/240VAC
 P-R336A-E*-C 332 Copper 120/240VAC
 P-R406A-E*-C 399 Copper 120/240VAC
 P-R206A-E*-X 199 Cupronickel 120/240VAC
 P-R266A-E*-X 266 Cupronickel 120/240VAC
 P-R336A-E*-X 332 Cupronickel 120/240VAC
 P-R406A-E*-X 399 Cupronickel 120/240VAC



DIGITAL LOW NOX ASMEGAS POOL & SPA HEATER, 207A-407A

- Bronze headers with 2" water connections
- ProTek Shield™ module – built-in anode
- 2 Year Warranty

P-R207A-E*-C 199 Copper 120/240VAC
 P-R267A-E*-C 266 Copper 120/240VAC
 P-R337A-E*-C 332 Copper 120/240VAC
 P-R407A-E*-C 399 Copper 120/240VAC
 P-R207A-E*-X 199 Copper 120/240VAC
 P-R267A-E*-X 266 Copper 120/240VAC
 P-R337A-E*-X 332 Copper 120/240VAC
 P-R407A-E*-X 399 Copper 120/240VAC



PROFESSIONAL SERIES DIGITAL GAS POOL & SPA HEATER, 268A & 408A

- Bronze headers with 2" water connections
- ProTek Shield™ module – built-in anode
- Includes flow switch, and temperature and pressure gauge
- 3 Year Warranty

P-R268A-E*-X 266 Cupronickel 120/240VAC
 P-R408A-E*-X 399 Cupronickel 120/240VAC



PROFESSIONAL SERIES X94 GAS POOL & SPA HEATER, SR-410

- 94% Thermal Efficiency
- Category IV venting
- Includes flow switch, and temperature and pressure gauge
- 3 Year Warranty

S-R410-E* ASME 399 Stainless Steel 120VAC



PROFESSIONAL SERIES HEAT PUMP POOL & SPA HEATER, PS9350TI-PS10354TI

- Stainless Steel cabinet
- Titanium heat exchanger
- Heat and Cool mode
- 2 Year Warranty Labor / 7 Year Warranty Parts

PS9350ti-E-HC 140 6.1 208/230VAC
 PS9353ti-E-HC 140 6.1 208/230VAC
 PS10353ti-E-HC 140 5.8 208/230VAC
 PS10354ti-E-HC 170 5.8 208/230VAC
 PS10355ti-E-HC 170 5.8 208/230VAC



MVB CAT I & II MODULATING VERTICAL POOL & SPA HEATER, 504A-2004A

- Touchscreen display
- Category I (vertical venting) or Category III (horizontal venting)
- Cold Water Run models available
- Includes factory startup

P-504A 500
 P-754A 750
 P-1104A 1,100
 P-1504A 1,500
 P-2004A 1,900



HI DELTA POOL & SPA HEATER, 502C-2342C

- SureRack® Stackable kit available
- Cold Water Run models available
- Includes factory startup

P-502C 500 Cupronickel 120V
 P-652C 650 Cupronickel 120V
 P-752C 750 Cupronickel 120V
 P-902C 900 Cupronickel 120V
 P-992C 990 Cupronickel 120V
 P-1262C 1,260 Cupronickel 120V
 P-1532C 1,530 Cupronickel 120V
 P-1802C 1,800 Cupronickel 120V
 P-2002C 1,999 Cupronickel 120V
 P-2072C 2,070 Cupronickel 120V
 P-2342C 2,340 Cupronickel 120V



XTHERMCONDENSING POOL & SPA HEATER, 1005A-4005

- 97% Thermal Efficiency
- Touchscreen display
- Category IV venting
- Includes factory startup

P-1005A 999 Cupronickel 208/240VAC
 P-1505A 1,500 Cupronickel 208/240VAC
 P-2005A 1,999 Cupronickel 208/240VAC
 P-3005 3,000 Cupronickel 208/240VAC
 P-3505 3,500 Cupronickel 208/240VAC
 P-4005 4,000 Cupronickel 208/240VAC
 Available in Natural Gas or Propane Gas models.



XTHERM® Professional Indirect Pool & Spa Heater

The standard configuration utilizes a highly corrosion resistant Cupro-Nickel exchanger with an option to upgrade to Titanium for the ultimate in corrosion resistance. The indirect heat exchanger keeps the boiler safe from corrosive pool water. The system arrives completely assembled, just connect, fill and flip the switch! No onsite soldering or assembly needed. Easy to install and commission, unit comes standard with a 7" touchscreen display and Raypak's Versa IC® control system. Full diagnostics with history and Modbus RTU BMS port. Economical to vent, unit comes standard with PVC vent connections and limit. Full electronic load tracking with 7:1 turndown. S/O XTHERM® Professional Indirect Pool & Spa Heater

- **96% Thermal Efficiency**
- **Touchscreen display – easy to commission & operate**
- **Factory-mounted skid – time & labor savings**
- **Includes factory startup**



Model Number	Full Input BTUH	Indirect Heat Exchanger	Voltage
P-1005A	999,000	Cupronickel or Titanium	120VAC
P-1505A	1,500,000	Cupronickel or Titanium	120VAC
P-2005A	1,999,999	Cupronickel or Titanium	120VAC

[Click here to Connect with your Account Manager](#)



Save up to 30% on Energy Costs



Jandy Hi-E2

- Lowest NOx emissions
 - 95% efficiency rating
 - Capable of reducing heating costs up to 30%
 - Sealed combustion chamber reduces condensation
 - Automatic power venting removes emissions
 - Bronze headers for longer life
 - Dual electronic thermostats are easy to use
 - Lighter and easy to install
- EHE350NC Jandy Pro Series Hi-E2, 350N Bronze, ASME, 350K BTU Heater, HSI, Dual Thermostat
- EHE350NS Jandy Pro Series HiE2, 350K BTU, NAT, ASME/Salt Water
- EHE350PC Jandy Pro Series HI-E2, 350P Bronze, ASME, 350K BTU Heater, HSI, Dual ThermoStat
- EHE350PS Jandy Pro Series HiE2, 350K BTU, LP, ASME/Salt Water



Jandy LXI ASME Heaters

- Low NOx fan assisted combustion
 - Backlit Control Panel, built in one touch automation makes pool to spa switching simple
 - Freeze protection
 - High efficiency C-fin heat exchanger
 - Easiest heater in industry to install, 33% lighter and 15% smaller footprint
- LXI250NC Jandy Pro Series LXi, P/H Cu
- LXI250PC Jandy Pro Series LXi, P/H Cu
- LXI250NS Jandy Pro Series LXi, Cu-Ni
- LXI250PS Jandy Pro Series LXi, Cu-Ni
- LXI400PC Jandy Pro Series LXi, P/H Cu
- LXI400NS Jandy Pro Series LXi, Cu-Ni
- LXI400PS Jandy Pro Series LXi, Cu-Ni



Hayward Commercial ASME Heaters

- The new 500,000 BTU models boast the fastest speed-to-heat capability in their class and are designed for ultimate performance, durability and energy efficiency
 - Low Lead Bronze Header and Cupro Nickel Finn Plate™ heat exchanger are standard
 - Independent left or right side electric, water and gas connections
 - Only front panel access required for installation and service
 - Easy dual voltage conversion with fuse protected circuit boards
- 50068 HEATER-UNIVERSAL 500 NA LONX ASME
- 400008 HEATER-UNIVERSAL 500 LP LONX ASME
- 50038 HEATER-UNIVERSAL 400 NA LONX ASME
- 50046 HEATER-UNIVERSAL 400 LP LONX ASME
- 50027 HEATER-UNIVERSAL 250 NA LONX ASME
- 50039 HEATER-UNIVERSAL 250 LP LONX ASME

PENTAIR COMMERCIAL HEATERS



Pentair ETi 400 /ETi 250 High Efficiency ASME Gas Heaters

- 96% Thermal Efficiency
 - TitanTough™ heat exchanger - ASME certified
 - Ultra-high thermal efficiency, for fast heat-up times at lower energy costs
 - Category IV direct vent with up to 120 ft length PVC vent capabilities
 - Control panel can be rotated 180° to accommodate left or right water plumbing configurations
 - Front and rear gas plumbing connection
- 46229 ETI 400 ASME GAS HEATER
- 46230 Indoor Direct Air Intake Kit
- 46231 Condensate Neutralizer Kit



Pentair Mastertemp ASME Heater

- Ultra-high performance
 - Eco-friendly design
 - Best-in-class energy efficiency
 - Certified for low NOx emissions
 - Fast heat-up
 - Compact design
 - Super quiet operation
 - Easy to use
- 85393 MSTM 250k BTU ASME N
- 85394 MSTM 250k BTU ASME P
- 85395 MSTM 400k BTU ASME N
- 85396 MSTM 400k BTU ASME P



Pentair PowerMax Commercial Heater

- PowerMax® heater provides peak efficiency and easy maintenance in both indoor and outdoor applications.
- High Performance Electronic Ignition Heaters
 - Seven sizes delivering up to 85% efficiency ratings and meets all Low NOx requirements
 - Reliable operation in natural or propane models
 - Fan-assisted and filtered combustion air
- 85397 PM0500NACC3BXN 500k BTU S/O
- PM0750NACC3BXN 750k BTU
- 958542 PM100NACC3BXN 1000k BTU S/O
- PM1250NACC3BXN 1250k BTU S/O
- PM1500NACC3BXN 1500k BTU S/O
- PM1750NACC3BXN 1750k BTU S/O
- PM200NACC3BXN 2000k BTU S/O



AquaCal Great Big Bopper

- Highest Output Heat Pump Made, 500,000 BTU's @ 6.3 C.O.P. efficiency
 - Heat and Cool Operation
 - Super Quiet Operation 72 db @ 10 ft
 - Compact Footprint 4' x 7' x 7'
 - Single Electrical Hook Up (60hz @ 208-230V or 460V)
 - Adaptable Inlet/Outlet Plumbing Configuration
- S/O GBB 500 BTU 208/230V
S/O GBB 500 BTU 460V



AquaCal Heatwave Heat Pumps

- Microprocessor controlled with Digital Display
 - ThermoLink Titanium Heat Exchanger
 - Scroll Compressor
 - Corrosion Proof Cabinet
 - AquaTop
 - Dual Row Coated Evaporator Coil on HI55
- S/O 135k BTU 1 PH 208/232V
S/O 133k BTU 3 PH 208/232V
S/O 133k BTU 3 PH 400V
S/O 125k BTU 1 PH 208/232V
S/O 125k BTU 3 PH 208/232V
S/O 110k BTU 1 PH 208/232V
S/O 120k BTU 1 PH 208/232V



AquaCal Super Quiet

- Super Quiet Features
 - Microprocessor controlled Digital Display
 - IceBreaker Technology
 - Virtually Quiet Operation
 - Titanium Heat Exchanger
 - Scroll Compressor
 - Corrosion Proof Cabinet
- 85104 127 BTU 1 PH 208/230V
S/O 127 BTU 3 PH 208/230V
S/O 108 BTU 1 PH 208/230V

HEAT PUMPS



Hayward Heat Master Heat Pumps

- Titanium heat exchanger for heating efficiency and reliability
 - Easy to read LED control panel for digital temperature control and monitoring of heat pump performance
 - Compact footprint for easy installation on new or existing pools and spas
- S/O 65k BTU
S/O 80k BTU
85038 125k BTU



JHX127



JHX85

Jacuzzi Heat Pumps

- Exclusive 100% Commercial Grade Oversized Titanium Heat Exchanger
 - Heat Large Bodies of Water Fast
 - Air Management System Maximizes Heat
 - Save Thousands Annually with the Savings Optimizer (Our App tells you how much you are spending to heat your pool. Monitor and Manage 24/7)
- 85450 JHX85
369577 JHX127
85452 380450



JHX140

wave

Exceptionally Tough, Extremely Efficient.

Engineered for extraordinary commercial pool cleaning performance



Healthy Water. Happy Guests.

Dolphins filter can circulate thousands of gallons of water per hour, improving water circulation, leaving the pool water polished and exceptionally clean for enhanced guest satisfaction.

959528	W20 Shallow Water Cleaner
63661	W20 Power Supply
628207	W20 Remote
385701	WAVE 60 Robotic Pool Cleaner
385702	WAVE 80 Robotic Pool Cleaner
385703	WAVE 100 Robotic Pool Cleaner
324816	WAVE 60/80/100 Power Supply
385803	WAVE 60/80/100/120 Remote
956692	Wave 120 Robotic Pool Cleaner
63660	WAVE 120 Power Supply
385704	WAVE 140 Robotic Pool Cleaner
385800	WAVE 140 Power Supply
385801	WAVE 140 Remote





	WAVE 60	WAVE 80	WAVE 100	WAVE 120	WAVE 140
Ideal Pool Length	Up to 50 ft.	Up to 68 ft.	Up to 88 ft.	Up to 121 ft.	Up to 127 ft.
Cable Length	60 ft. Tangle-free cable	78 ft. Tangle-free cable	98 ft. Tangle-free cable	131 ft. Tangle-free cable	137 ft. Tangle-free cable
Cleaning Coverage	Floor, Walls, 7 Waterline	Floor, Walls, 7 Waterline	Floor, Walls, 7 Waterline	Floor, Walls, 7 Waterline	Floor only
Brushing	Dual Scrubbing Brushes	Dual Scrubbing Brushes + Center Active Scrubber	Dual Scrubbing Brushes	Dual Scrubbing Brushes	Dual Scrubbing Brushes
Cleaning Cycle Time	Quick - 1 hour Standard - 2.5 hours	Quick - 1.5 hours Standard - 2.5 hours Enhanced - 3.5 hours	Quick - 4 hours Standard - 6 hours Enhanced - 8 hours	Quick - 4 hours Standard - 6 hours Enhanced - 8 hours	Quick - 4 hours Standard - 5 hours Enhanced - 6 hours
Filtration	Interchangeable set of fine and ultra-fine filters, Top-loading Cartridge	Interchangeable set of fine and ultra-fine filters, Top-loading Cartridge	Interchangeable set of fine and ultra-fine filters, Top-loading Cartridge	Interchangeable set of fine and ultra-fine filters, Top-loading Cartridge	Fine filters, Top-loading Cartridge
Robot Weight	24.6 lbs.	24.6 lbs.	29 lbs.	42 lbs.	55 lbs.
Navigation and Maneuverability	CleverClean™ coverage	CleverClean™ coverage	CleverClean™ coverage	CleverClean™ coverage	CleverClean™ coverage
Remote Control	Remote Ready	Included	Included	Included	Included
Caddy	Included	Included	Included	Included	Included
Warranty	24 months- limited	24 months- limited	24 months- limited	24 months- limited	36 months or 3000 working hours - limited

[Click here to Connect with your Account Manager](#)



THE HARD WORKER Featuring a wide range of customizable features, Duramax is a line of heavy duty robots built to perform the daily task of commercial pool cleaning. From the small hotel motel pools up to Olympic pools, there is a Duramax ready to work hard to keep the water sparkling clean.



DuraMAX Junior T-RC
84362 DuraMAX Junior T-RC

Propulsion Type	Drive Motor
Pool Types	Up to 60 ft length
Coverage	6500 sq ft / hour
Cable Length	100 ft
Climbing	Yes
Remote Control	Yes (3 directional)
Drive Motors	1
Motor Voltage	30v
Motor Type	High efficiency / Brushless 1
Pumps	1 (with power jets)
Pump Voltage	30v
Pump Type	High efficiency / Brushless
Pumping Capacity	4800 gal per hr
Filter Size	Standard
0 Entry Sensor	Optional
IR Sensor	Optional
Steel Reinforcement	-
Power Supply	Heavy duty
Cleaning Programs	1-7 Hours / C-Run
1 hr. Delay Feature	N/A
Timer	Yes
Voltage Input	120v - 60hz
Voltage Output	36v
Wattage	230w
Caddy	Ultra Kart Jr.
Warranty	2 years (1st year B to B)



DuraMAX RC
84363 DuraMAX RC

Propulsion Type	Drive Motor
Pool Types	Up to 75 ft length
Coverage	8790 sq ft / hour
Cable Length	120 ft
Climbing	Yes
Remote Control	Yes (4 directional)
Drive Motors	2
Motor Voltage	30v
Motor Type	High efficiency / Brushless
Pumps	1
Pump Voltage	30v
Pump Type	High efficiency / Brushless
Pumping Capacity	4800 gal per hr
Filter Size	Large
0 Entry Sensor	Standard
IR Sensor	Optional
Steel Reinforcement	Yes
Power Supply	Heavy duty
Cleaning Programs	7 Hours / C-Run
1 hr. Delay Feature	Yes
Timer	Yes
Voltage Input	120v - 60hz
Voltage Output	36v
Wattage	320w
Caddy	Ultra Kart Jr.
Warranty	2 years (1st year B to B)



DuraMAX Bi Turbo T-RC
954184 DuraMAX Bi Turbo T-RC

Propulsion Type	Drive Motor
Pool Types	Up to 75 ft length
Coverage	8790 sq ft / hour
Cable Length	120 ft
Climbing	Yes
Remote Control	Yes (3 directional)
Drive Motors	1
Motor Voltage	30v
Motor Type	High efficiency / Brushless
Pumps	2
Pump Voltage	30v
Pump Type	High efficiency / Brushless
Pumping Capacity	9600 gal per hr
Filter Size	Large
0 Entry Sensor	Standard
IR Sensor	Optional
Steel Reinforcement	Yes
Power Supply	Heavy duty
Cleaning Programs	1-7 Hours / C-Run
1 hr. Delay Feature	N/A
Timer	Yes
Voltage Input	120v - 60hz
Voltage Output	36v
Wattage	320w
Caddy	Ultra Kart Jr.
Warranty	2 years (1st year B to B)



DuraMAX Duo Jr
950176 DuraMAX Duo Jr

Propulsion Type	Drive Motor
Pool Types	Up to 150 ft length
Coverage	9750 sq ft / hour
Cable Length	120 ft (150 ft Optional)
Climbing	Yes
Remote Control	Yes (4 directional)
Drive Motors	2
Motor Voltage	30v
Motor Type	High efficiency / Brushless
Pumps	2
Pump Voltage	High efficiency / Brushless
Pump Type	9600 gal per hr
Pumping Capacity	PVC / PVA (optional)
Filter Size	Large
0 Entry Sensor	Standard
IR Sensor	Optional
Steel Reinforcement	Yes
Power Supply	Heavy duty
Cleaning Programs	1-7 Hours / C-Run
1 hr. Delay Feature	Yes
Timer	Yes
Voltage Input	120v - 60hz
Voltage Output	36v
Wattage	360w
Caddy	Ultra Kart Jr.
Warranty	2 years (1st year B to B)



DuraMAX Duo
84366 DuraMAX Duo

Propulsion Type	Drive Motor
Pool Types	Up to 150 ft length
Coverage	13,100 sq ft / hour
Cable Length	120 ft (150 ft Optional)
Climbing	Yes
Remote Control	Yes (4 directional)
Drive Motors	2
Motor Voltage	30v
Motor Type	High efficiency / Brushless
Pumps	2
Pump Voltage	30v
Pump Type	High efficiency / Brushless
Pumping Capacity	9600 gal per hr
Filter Size	PVC / 2
0 Entry Sensor	Standard
IR Sensor	Optional
Steel Reinforcement	Yes
Power Supply	Heavy duty
Cleaning Programs	1-7 Hours / C-Run
1 hr. Delay Feature	Yes
Timer	Yes
Voltage Input	120v - 60hz
Voltage Output	36v
Wattage	360w
Caddy	Ultra Kart
Warranty	2 years (1st year B to B)





CLEAN AT THE TOUCH OF A BUTTON The Aquamax line of commercial pool cleaners is the result of 30 years of research and development. The perfect combination of performance and innovation, the Aquamax line features highly customizable programs, smart cleaning algorithms and sensors to make cleaning as easy as the touch of a button.



AquaMAX X1
950287 AquaMAX X1

Propulsion Type	Drive Motor
Pool Types	Up to 40 ft length
Coverage	6500 sq ft / hour
Cable Length	75 ft
Climbing	AquaSmart w/Gyro
Remote Control	N/A
Drive Motors	1
Motor Voltage	24v
Motor Type	High efficiency / Brushless
Pumps	1
Pump Voltage	24v
Pump Type	High efficiency / Brushless
Pumping Capacity	4330 gal per hr
Filter Size	Standard
0 Entry Sensor	Standard
IR Sensor	-
Steel Reinforcement	-
Power Supply	Switching / SPS 500
Cleaning Programs	1.0h / 1.5h / 2.0h
Warranty	2 years (1st year B to B)



AquaMAX X2
950320 AquaMAX XL

Propulsion Type	Drive Motor
Pool Types	Up to 50 ft length
Coverage	6500 sq ft / hour
Cable Length	100 ft
Climbing	AquaSmart w/Gyro
Remote Control	Yes
Drive Motors	2
Motor Voltage	24v
Motor Type	High efficiency / Brushless
Pumps	1
Pump Voltage	24v
Pump Type	High efficiency / Brushless
Pumping Capacity	4330 gal per hr
Filter Size	Standard
0 Entry Sensor	Standard
IR Sensor	-
Steel Reinforcement	-
Power Supply	Digital Display
Cleaning Programs	1.5h / 2.0h / 2.5h
Caddy	Ultra Kart Jr.
Warranty	2 years (1st year B to B)



AquaMAX X3
950321 AquaMAX X3

Propulsion Type	Drive Motor
Pool Types	Up to 75 ft length
Coverage	8790 sq ft / hour
Cable Length	100 ft
Climbing	yes
Remote Control	Yes
Drive Motors	2
Motor Voltage	24v
Motor Type	High efficiency / Brushless
Pumps	1
Pump Voltage	24v
Pump Type	High efficiency / Brushless
Pumping Capacity	4330 gal per hr
Filter Size	Large
0 Entry Sensor	Standard
IR Sensor	-
Steel Reinforcement	-
Power Supply	Digital Display
Cleaning Programs	3.0h / 4.0h / 5.0h
Timer	Yes / external capability
Voltage Input	120v - 60hz
Voltage Output	24v
Wattage	240w
Caddy	Ultra Kart Jr.
Warranty	2 years (1st year B to B)



AquaMAX X4
950322 AquaMAX X4

Propulsion Type	Drive Motor
Pool Types	Up to 150 ft length
Coverage	9750 sq ft / hour
Cable Length	150 ft
Climbing	yes
Remote Control	Yes
Drive Motors	2
Motor Voltage	24v
Motor Type	High efficiency / Brushless
Pumps	2
Pump Voltage	24v
Pump Type	High efficiency / Brushless
Pumping Capacity	9690 gal per h
Filter Size	2x Standard
0 Entry Sensor	Standard
IR Sensor	Standard
Steel Reinforcement	Yes
Power Supply	Digital Display
Cleaning Programs	3.0h / 5.0h / 7.0h / 9.0h
Timer	24v
Voltage Input	120v - 60hz
Voltage Output	24v
Wattage	360w
Caddy	Ultra Kart
Warranty	2 years (1st year B to B)



UltraMAX XL
84367 UltraMAX XL

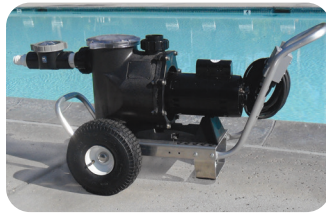
Propulsion Type	Drive Motor
Pool Types	Up to 150 ft length
Coverage	9750 sq ft / hour
Cable Length	120 ft
Climbing	yes (remote controlled)
Remote Control	Yes
Drive Motors	2
Motor Voltage	24v
Motor Type	High efficiency / Brushless
Pumps	2
Pump Voltage	24v
Pump Type	High efficiency / Brushless
Pumping Capacity	9690 gal per h
Filter Size	2x Standard
0 Entry Sensor	Standard
IR Sensor	Standard
Steel Reinforcement	Yes
Power Supply	Digital Display
Cleaning Programs	3.0h / 5.0h / 7.0h / 9.0h
Timer	24v
Voltage Input	120v - 60hz
Voltage Output	24v
Wattage	360w
Caddy	Ultra Kart
Warranty	2 years (1st year B to B)

PORTABLE VACUUM & SERVICE CARTS



Porta Vac

- 14 amp motor, suitable for any nema standard receptacle
- 150 sq ft cartridge filter (unicel replacement)
- 40' GFCI protected cord
- 83137 Porta Vac Electric
- 902944 Porta Vac Gas Powered
- 41115 150 Sq ft Replacement Cartridge



Super Vac III

- Auxiliary pump system
- Aluminum and stainless steel cart
- 14 amp motor, suitable for any nema standard receptacle
- 40' GFCI protected cord
- 83138 Super Vac III Electric
- 41117 Super Vac III Gas Powered



Service Cart

- Holds full case of chlorine and 3 quart containers in rack
- Holds 50' of suction hose, brush attachments and tile brush
- 83139 Stainless Steel Service Cart
- 83143 Powder Coated Steel Service Cart
- 83134 Hitch



SS Porta Vac

- Stainless steel cart and TEFC motor
- 150 sq ft stainless steel filter
- 100 gallon per minute pump
- 35' GFCI protected cord
- 41118 SS Porta Vac
- 41115 150 Sq ft Replacement Cartridge



83147



83148



83142

Mini Vac

- 50 gallon per minute pump
- 75 Sq ft cartridge filter
- 9' cord
- 83147 Mini Vac
- 41113 75 Sq Ft Replacement Cartridge

Super Vac II

- Hand carry 1.5 HP pump
- 9' 115V cord
- Includes hose adapter fittings
- 83142 Super Vac II

Mini Vac II

- 85 gallons per minute pump
- 100 sq ft cartridge filter
- 40' GFCI protected cord
- 83148 Mini Vac II
- 41114 100 Sq ft Replacement Cartridge

Special order, lead times vary.



Portable Vacuum System

- Sturdy and dependable units include a Sta-Rite pump, stainless steel cart, GFCI shock preventer and 50' of electric cord
- 83132 S/O 1 hp 105 sq ft filter
- 83133 S/O 2 hp 155 sq ft filter
- 609419 155 sq ft Replacement Cartridge

HAMMER-HEAD SERVICE CART



220824 Service-21

Hammer-Head Service Cart

- Lightweight powder coated aluminum frame
- Large marine battery box (battery not included)
- Frame mounted soap bottle
- Weatherproof marine switch
- 220825 Service-21
- 220824 Service-30

JACUZZI POOL VACS

Jacuzzi® JPV100

- 8.5" wide vacuum head
- Versatile use
- Up to 2.5 hours run time
- 2-year warranty
- Includes: Vacuum head, filter bag, power head, battery chamber, pool pole adapter and micro filter bags
- 58200 JPV100



Jacuzzi® JPV200

- Multi-layer filter capacity
- Powerful motor
- Debris chamber
- 7.5" wide vacuum head
- 2-year warranty
- Includes: Vacuum head, nose c: filter bag, cleaner body, motor box and charger
- 58201 JPV200



Jacuzzi® JPV300

- 10.5" wide vacuum head
- Advanced motor
- Multi-layered filter cone
- High volume debris chamber
- 2-year warranty
- Includes: Vacuum head, debris chamber, filter assembly, cleaner body, pool pole adapter and charger
- 58202 JPV300



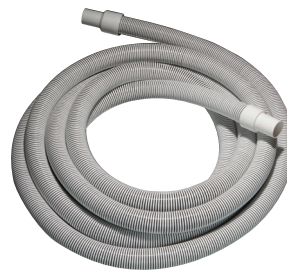
2" Commercial Hoses

- 2" Recommended for lengths longer than 50'
- 22482 2" x 50'
- 22486 2" x 75'
- 22488 2" x 100'



1 1/2" Standard Hoses

- 22472 1-1/2" x 25'
- 22474 1-1/2" x 35'
- 22476 1-1/2" x 45'



I-Helix Vac Hoses

- Finest professional grade spiral-wound vacuum hose in the industry
- 954161 1 1/2" x 50'
- 22486 2" x 75'
- 22482 2" x 50'
- 22487 1 1/2" x 100'
- 22484 1 1/2" x 75'
- 22488 2" x 100'



Vac Hose Sections

- Our vacuum hose reel makes pool vacuuming much easier, while keeping the vacuum hose neatly and safely stored
- 58800 4' Hose Sections

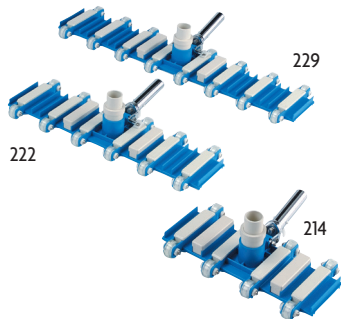
Hose Mender

- 22400 1-1/2" THD

Hose Cuffs

- 22546 1.5" Fixed Standard
- 22549 1 1/2" Swivel

VACUUM HEADS



Provac Flexible Commercial Vacuums

- ProVac Residential and Commercial Vacuums
- The ProVac vacuum cleans a pool bottom in half the time
- Suction chamber concentrates vacuum velocity equally
- Full width flex strips guide debris into the suction chamber
- All wheels are adjustable to increase or decrease the vacuum velocity



Provac II Flexible Commercial Vacuums

- Eco Select Brand environmentally friendly composite weight system
- Suction chamber concentrates vacuum velocity for fast thorough cleaning
- Convertible wheel system – locks for straight cleaning pattern or pivots 360° for additional coverage
- Ultra smooth ball bearing wheels for effortless movement



Leaf Eaters

- Quickly removes leaves, bugs and debris from pool
- Powered by your garden hose
- 20144 Leaf Bagger Brush/Wheel Combo
- 20116 Replacement Bag-Regular Mesh
- 20110 Replacement Bag-Fine Mesh
- 20956 Replacement Wheel 3-Pack



Vacuum Heads

- Save time and brush while you vacuum your pool
- 20881 Good for vinyl

SKU	Model	Description
PROVAC II		
903260501	216	Replacement wheel kit (4 per kit)
241 SUPER PROVAC		
82702	241	22 ball bearing polyurethane wheels, suction chamber, strategic weighting and dual manifold with handle joining assembly, includes adapters for 1 1/2" and 2" vacuum hose, boxed. 41" wide, dual port vacuum
PROVAC SERIES RESIDENTIAL & COMMERCIAL VACUUMS		
200714	229	Commercial model, metal swivel handle, ball bearing wheels, stainless steel shaft, boxed

BRUSHES



20192 Pro Grade 22" Brush



20193 22" Pro Pebble Brush



20137 18" Standard



20256 18" Combo/Wire



20257 18" Standard Wire
20261 5" Standard Wire



20258 5" Wall Brush
20131 5" Corner Brush

LEAF SKIMMERS



• "Soft" tip specially designed for delicate pool surfaces
20476 Vinyl Stingray Leaf Rake
20477 Fine Mesh



82628 Pro Grade Quick Release 16" Leaf Skimmer



20465 Fine Mesh Leaf Skimmer



20735 Leaf Skimmer 4' Handle

LEAF RAKES



82627 Pro Grade Quick Release 18" Leaf Rake
82629 Pro Grade Quick Release 18" Fine Leaf Rake
Not Shown



20462 18" Piranha Leaf Rake
20463 24" Piranha Leaf Rake
20473 18" Replacement Net
20474 24" Replacement Net
20475 Replacement Net Cuff



20450 Standard Fine Leaf Rake

TELEPOLES

Pro Telepole



20870 8-16' 2-piece



48775 4-8' Standard Grip



20781 8-16' Fiberglass



20795 16' 2-piece



82683 12-24' 2-piece pole

3-Piece Telepoles

20798 5 1/2-16' 3-piece
83193 12-36' (3-piece pole)
Not Shown



Pole Hangers

• Secure these handy hangers to your fence or wall, and stop tripping over that pole
83105 Set of two aluminum



CALCIUM REMOVERS



Pool Stone

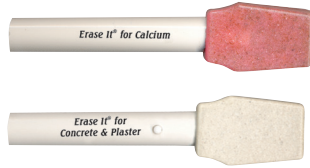
20664

Stone w/handle

20662

Pool Stone 3-pk

20660



EarthStone

- Easily cleans ceramic, grout and concrete surfaces
- 20184 Calcium Eraser
20186 Concrete/Plaster



Erase It

- Revolutionary and easy to use stain removers
- 20185 Tile Grout Eraser



CuLator

- Eliminates copper, iron, manganese, nickel, cobalt & lead
 - Acts like a sponge to rapidly remove metals from pool and spa water
- 14513 Packet

WATERLINE CLEANERS



Stain & Scale Remove

- Pool stain remover and scale remover
- Protects against stains, mineral scales, and scum buildup

14224 1/2 gal

Protects Salt Cells
From Build-Up



#300 Tile Cleaner

- Removes calcium deposits, dissolves oil, grease and most soils in minutes

14827 1 qt



BIO-DEX Protect-All Supreme

- Controls swimming pool stain, scale, calcium, rust and corrosion, and eliminates water hardness problems
- Initial dose is one quart per 20,000 gallons

14809 1 qt



Clean & Perfect

- The perfect indoor/outdoor cleaner
- Powerful natural enzymes and surfactants
- Use on all hard surfaces such as spas, vinyl, spa & pool covers, outdoor furniture, decks, etc.

14128 24 oz

CLEANING PARTS



Backwash Hose

- Strong, durable
- 22426 1 1/2" x 25' 22431 2" x 50'
22427 1 1/2" x 50' 22432 2" x 100'
22428 1 1/2" x 100'
22429 2" x 25'



Large Leaf Canister
58958



Std. Leaf Canister
58972



Basket Leaf Canister
58953

Hayward APC Canister & Parts

- Extra-large basket or bag traps leaves and debris before they reach the filter system

Not Shown
58960 Bag Assembly
58893 Hose Adaptor Male



Pole Hangers

- Secure these handy hangers to your fence or wall
- 83105 Set of two aluminum

REPLACEMENT PARTS



Vac Wheel 4-pk
20940



Vac Handle
Replacement
20885



Spring 3-pk
20771



Metal Swivel Vac Handle
20979



Easy Lock Cam
20792



Telepole
Handle
20790

STRAP FABRIC FEATURES



2" wide extruded vinyl straps made of 100% virgin vinyl and UV stabilizers for colorfastness.

Patented straps (US Patent #6,523,904) lock securely in specially designed channels.

30 Available strap colors, paired with 9 powder coated frame finishes.

Durable replaceable plastic glides protect patio surface.

Individual straps can be easily replaced if necessary.

Strong, durable construction.

Resilient strapping won't permanently sag after long use.

Stainless Steel and aluminum hardware resists corrosion.

The 2" Custom Strap colors listed below are available on our Reliance Contract Strap Collection and Kendall Contract Strap Collections. Please note, you cannot mix embossed and non-embossed (smooth) straps on the same frame. Straps listed below are smooth unless otherwise noted. Straps with asterisk (*) match our frame colors.

Strap Fabric Options



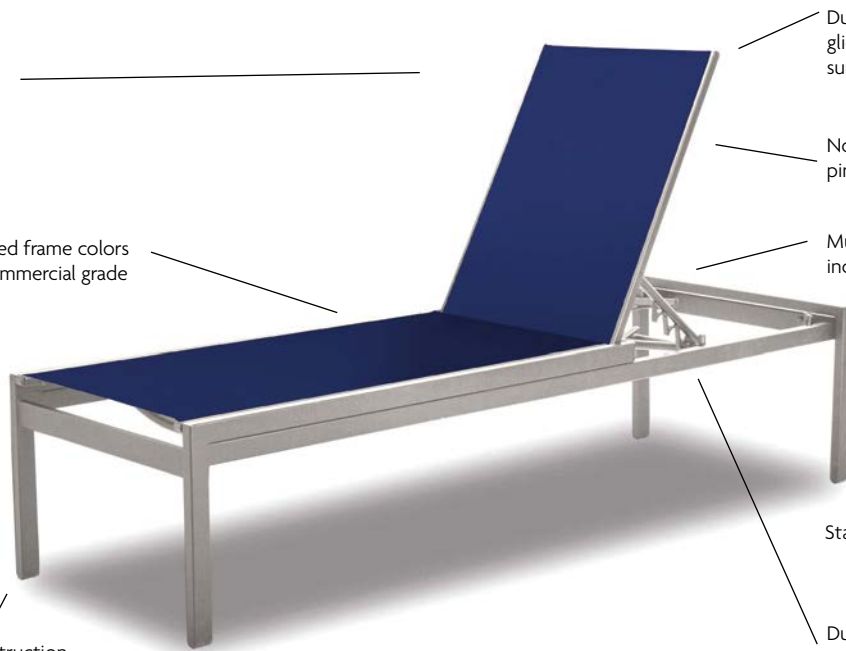
Above finishes are available on all Strap Collections

Slings are easy to replace.

Available in 9 powdercoated frame colors and 67 outdoor quality commercial grade sling fabrics.

Sleek & simple designs, perfect for every application

Strong, extra durable construction.



Durable replaceable plastic glides to protect patio surface.

No dangerous pinch points.

Multi-position back, including lay-flat.

Stainless steel hardware.

Durable replaceable plastic glides to protect patio surface.

Sling Fabric Options

1D Red A Grade	5D Black A Grade	6D White A Grade	11S Bristol A Grade	13D Navy A Grade	14D Augustine Mineral -A Grade	20D Natural A Grade	22D Forest Green A Grade	24D Teal A Grade	28D Pacific Blue A Grade
35D Cobalt A Grade	38D Lime A Grade	41D Tangerine A Grade	42D Sky A Grade	43D Yellow A Grade	51D Aqua A Grade	70D Atlantis A Grade	110 Bark A Grade	202 Moments Navy A Grade	209 Collect Indigo A Grade
214 River B Grade	215 Augustine Oasis A Grade	219 Collect Charcoal A Grade	229 Augustine Shadow -A Grade	231 Sand Dollar B Grade ▲	255 Amalfi A Grade	257 Jewel B Grade	259 Sicily B Grade	260 Fossil B Grade	262 Abalone B Grade
271 Augustine Fennel -A Grade	272 Tempo A Grade	310 Fiesta A Grade	316 Nickel B Grade ▲	365 Baja A Grade	366 Reflection B Grade	466 James B Grade	476 Beacon A Grade	489 Boulder B Grade	531 Tan A Grade
535 Limelite A Grade	538 Night A Grade	558 Deacon A Grade	559 Harbor A Grade	561 Burke A Grade	562 Gannon B Grade	563 Scotch B Grade ▲	564 Storm B Grade ▲	565 Destiny Steel A Grade	569 Nimbus Smoke A Grade
571 Kora A Grade	573 Mink B Grade ▲	574 Anchor B Grade	575 Carob B Grade ▲	576 Cole A Grade	577 Nimbus Ocean A Grade	578 Charm A Grade	579 Chantilly B Grade ▲	630 Mocha A Grade	747 Coastline A Grade
749 Breeze A Grade	753 Tweed A Grade	809 Newport B Grade	865 Skip B Grade	868 Brooks B Grade	870 Elevation Stone -A Grade	871 Augustine Pebble -A Grade	872 Augustine Pewter -A Grade	873 Augustine Denim -A Grade	874 Augustine Oyster -A Grade
876 Georgia A Grade	877 Ella A Grade	878 Smoke B Grade	888 Cali A Grade	889 Vineyard A Grade	930 Titanium A Grade	948 Harper A Grade	950 Mavi A Grade	953 Kasler B Grade	954 Jay A Grade
957 Alloy A Grade									

SLING FRAME OPTIONS

Marine Grade Polymer

Available in 8 MGP frame colors and 70 outdoor-quality commercial grade sling fabrics.

MGP will not crack, rot or separate in any outdoor-environment.

All Slings are constructed with high performance outdoor quality fibers.

MGP color pigment is all through the material, so a slightly scratched surface is less noticeable.

Stainless steel hardware.

MGP has zero porosity, meaning it is easy to clean unlike the competitor's foamed resin that traps dirt and oil in the surface.

Slings are easy to replace.

Strong, durable construction.

No dangerous pinchpoints.

MGP is made from only FDA approved resins.

MGP is comfortable to the touch on hot and cold days.

Contains over 30% recycled resin.



Powdercoated Aluminum

Slings are easy to replace.

Available in 10 powdercoated frame colors and 70 outdoor-quality commercial grade sling fabrics.

Sleek & simple designs, perfect for every application

Stainless steel hardware.

Strong, extra durable construction.

Durable replaceable plastic glides to protect patio surface.

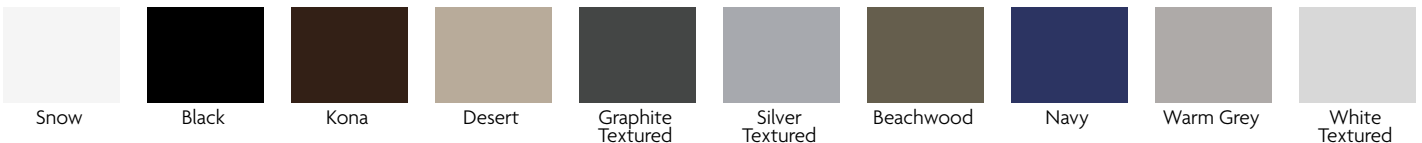
Durable Aluminum ratchets rest on plastic guards to protect finish

Slings are easy to replace.

No dangerous pinch points.

Multi-position back, including lay-flat.

MGP is comfortable to the touch on hot and cold days.





Reliance Strap Chairs

- All Reliance Strap items are stackable for easy/convenient storage!
 - Four-Position Lay-Flat Stacking Arm-less Chaise features a 14" seating height for easy in and out. 76" when laid flat.
 - Four-Position High Bed Lay-Flat Stacking Armless Chaise features an 18" seating height for additional ease of use. 76" when laid flat.
 - Stacking Sled Base Arm Chair and Stacking Sled Base Sand Chair are extra sturdy on a porch, patio, grass or deep sand!
- S/O Reliance Contract Strap Chairs

**Reliance Strap
16" Four-position Lay Flat
Stacking Armless Chaise**
27"Wx43"Hx69"D



5 YEAR WARRANTY



5 YEAR WARRANTY

**Reliance Strap
Stacking Bistro Chair**
21"Wx34.5"Hx26.75"D

[Click here to Connect with your Account Manager](#)



Kendall Strap & Sling Chair

- All Kendall items are stackable for easy storage
- Stacking Armless Lay-Flat Chaise feature for a sleek contemporary appeal and to save space
- 2" welded vinyl straps are easy to clean
- S/O Kendall Strap & Cross Strap

Kendall Sling Stacking Armless Lay Flat chaise

25.5"Wx41"Hx66.75"D
Reclined Length = 78.25"



5 YEAR WARRANTY

Kendall Sling Stacking High Bed 18" Chaise

28"Wx43.75"Hx82"D
Reclined Length = 78.25"



5 YEAR WARRANTY



5 YEAR WARRANTY

Kendall Sling Stacking Balcony Height Arm

25.5"Wx43.5"Hx26.5"D



5 YEAR WARRANTY

Kendall Sling Stacking Bar Height Arm Chair

25.5"Wx47.5"Hx26.5"D



5 YEAR WARRANTY

Kendall Sling Stacking Cafe Chair

25.5"Wx35.5"Hx25"D



3 YEAR WARRANTY

Primera Sling Stacking Arm Chair
26"Wx38"Hx30"D



1 YEAR WARRANTY

Primera Sling Swivel Rocker
26"Wx43"Hx30"D



3 YEAR WARRANTY

Primera Sling Balcony Height Swivel Arm Chair
24"Wx45"Hx28"D



3 YEAR WARRANTY

Primera Sling Bar Height Swivel Arm Chair
24"Wx48"Hx28"D

Aruba Sling Four-Position High Bed Lay-flat Stacking Chaise
27.75"Wx44"Hx65"D
Reclined Length = 77.5"



ST. CATHERINE MGP SLING CHAIRS



St. Catherine MGP Sling Chairs

- Marine Grade Polymer (MGP)/Aluminum Frame.
- Stainless Hardware.
- Available in Sling & Padded Sling.
- Available Sunbrella Stock Book Program.
- Supreme Arm Chair and Four-Position Lay Flat Chaise are all designed with perfectly curved arms for maximum comfort.
- Four Position Lay Flat Chaise is constructed at a 16" seating height for easy in and out and is 79" when laid flat.

S/O St. Catherine MGP Sling



1 YEAR WARRANTY



1 YEAR WARRANTY

St. Catherine Swivel Rocker

26"Wx38"Hx30"D

St. Catherine Supreme Swivel Rocker

26"Wx38"Hx30"D



5 YEAR WARRANTY



5 YEAR WARRANTY



5 YEAR WARRANTY

St. Catherine Arm Chair

26"Wx38"Hx30"D

St. Catherine Supreme Arm Chair

26"Wx43"Hx29"D

St. Catherine Four-Position Lay Flat Chaise

29"Wx43"Hx64"D
Reclined Length = 79"



For the Closest Location Visit LesliesPool.com/stores.htm



Aruba Sling Chairs

- Powder Coat Aluminum Frame.
 - Available in Sling & Padded Sling.
 - Available Sunbrella Stock Book Program.
 - Many items stack for convenient storage.
 - The broad depth of this collection allows for a variety of seating applications that will coordinate beautifully.
- S/O Aruba Sling Chairs



5 YEAR WARRANTY



5 YEAR WARRANTY



5 YEAR WARRANTY

Aruba Four Position Lay-Flat Stacking Chaise

28"Wx42"Hx62"D
Reclining Length: 79"

Aruba Supreme Stacking Arm Chair

25"Wx44"Hx29"D

Aruba Stacking Arm Chair

25"Wx35"Hx29"D



5 YEAR WARRANTY



5 YEAR WARRANTY



5 YEAR WARRANTY



5 YEAR WARRANTY

Aruba Stacking Café Chair

24"Wx33"Hx26"D

Aruba Balcony Height Stacking Café Chair

24"Wx42"Hx29"D

Aruba Balcony Height Swivel Café Chair

24"Wx42"Hx26"D

Aruba Bar Height Stacking Café Chair

25"Wx44"Hx29"D



Gardenella Contract Sling Chairs

- Powder Coat Aluminum Frame.
- Available in Sling & Padded Sling.
- Available Sunbrella Stock Book Program.
- All Gardenella Sling items are stackable for easy/convenient storage!
- Four-Position Lay Flat Stacking Armless Chaise features a 14" seating height for easy in and out. 78" when laid flat.
- Four-Position High Bed Lay-Flat Stacking Armless Chaise features an 18" seating height for additional ease of use. 78" when laid flat.
- Stacking Sled Base Arm Chair and Stacking Sled Base Sand Chair are extra sturdy on a porch, patio, grass or deep sand!

S/O Gardenella Contract Sling Chairs



5 YEAR WARRANTY

Gardenella Stacking Arm Chair

23"Wx33"Hx25"D



5 YEAR WARRANTY

Gardenella Balcony Height Stacking Armless Chair

21"Wx43"Hx28"D



5 YEAR WARRANTY

Gardenella Bar Height Stacking Armless Chair

21"Wx46"Hx28"D



5 YEAR WARRANTY

Gardenella Stacking Bistro Chair

21"Wx34.5"Hx25.75"D



5 YEAR WARRANTY

Gardenella 16" Four-Position Stacking Lay Flat Armless Chaise

27"Wx43"Hx69"D
Reclined Length = 78"



Gardenella Sling Chairs

- Powder Coat Aluminum Frame.
- Available in Sling & Padded Sling.
- Available Sunbrella Stock Book Program.
- Telescope first introduced The Gardenella Sling Collection in 1977. Over the last 40 years, we have learned that this simple yet wholesome collection is unstoppable.
- Every item in this collection is stackable for easy and convenient storage.
- Over 1 million units built means this collection has stood the test of time.

S/O Gardenella Sling Chairs



3 YEAR WARRANTY

Gardenella Stacking Arm Chair

24"Wx34"Hx29"D



3 YEAR WARRANTY

Gardenella Stacking Café Chair

23"Wx34"Hx29"D



3 YEAR WARRANTY

Gardenella Stacking Poolside Chair

24"Wx30"Hx33"D



3 YEAR WARRANTY

Gardenella Four-Position Stacking Chaise

26"Wx41"Hx63"D Reclined Length = 76"



3 YEAR WARRANTY

Gardenella Four-Position Stacking Armless Lay Flat Chaise

26.5"Wx66"Dx42.5"H Reclined Length = 77.5"

BAZZA MGP SLING CHAIRS



Bazza MGP Sling Chairs

- Sleek, casual and contemporary collection
- Unique contouring shape of chaise and adjustable back offers exceptional comfort
- MGP remains comfortable in both warmer and cooler weather



Bazza Swivel Rocker

26.5"Wx38.5"Hx26"D

Bazza Cafe Chair

26.5"Wx43.5"Hx26.5"D

Bazza Stacking Cafe Chair

26.5"Wx35.5"Hx25"D

Bazza Bistro Chair

26.5"Wx35.5"Hx25"D



Bazza Contour Armless Chaise

30"Wx42.5"Hx85"D



Bazza Armless Double-Chaise

59.75"Wx42.5"Hx85"



Adirondack MGP Sling

- Wide polymer arms are comfortable to the touch on hot and cold days. This collection features hidden stainless steel hardware.
- Both the chair and ottoman ship flat in UPS-able packaging.



Adirondack MGP Sling Ottoman

23"x14"Hx18"D



Adirondack Chat Height Arm Chair

31"wx39"Hx30"D

[Click here to Connect with your Account Manager](#)



Ashbee Cushion

- Clean contemporary style perfect for today's modern resorts
- Modular design allows for endless design possibilities
- The ottoman can be used freely or attached with our furniture clip
- Vinyl strap suspension on the seat provides long term comfort



Ashbee Arm Chair
31.5"Wx33"Hx30"D

3 YEAR WARRANTY



Ashbee Ottoman
28.5"Wx18"Hx28.5"D

3 YEAR WARRANTY



Ashbee MGP Top Coffee Table
28.5"Wx13"Hx28.5"D

3 YEAR WARRANTY



Ashbee End Sectional
30"Wx33"Hx30"D

3 YEAR WARRANTY



Ashbee Armless Chair
28.5"Wx33"Hx30"D

3 YEAR WARRANTY



Ashbee End Sectional
30"Wx33"Hx30"D

3 YEAR WARRANTY



Ashbee MGP Top Corner Table
28.5"Wx21.75"Hx28.5"D

3 YEAR WARRANTY



St. Catherine MPG Cushion Collection

- Stationary ruggedly constructed items perfect for commercial settings
- Vinyl strap suspension on seat and back provides long term comfort
- Fabric panel over frame on back provides an upholstered look



St. Catherine MPG Two-Seat Loveseat
52"Wx36.25"Hx35.25"D

3 YEAR WARRANTY



St. Catherine MPG Three-Seat Loveseat
74"Wx36.25"Hx35.25"D

3 YEAR WARRANTY



3 YEAR WARRANTY

St. Catherine MPG Arm Chair
30"Wx36.25"Hx35.25"D



1 YEAR WARRANTY

St. Catherine MPG Swivel Rocker
30"Wx36.25"Hx35.25"D



3 YEAR WARRANTY

St. Catherine MGP Ottoman
22.75"Wx17"Hx21.75"D



Bazza Benches

- Benches and chairs stack for easy and convenient storage
- Seat and back feature through holes for maximum comfort and aesthetic care
- Available in 10 powder-coated frame finishes and 11 MGP Seat/Back colors



5 YEAR WARRANTY

Bazza 54" Flat Bench
28.5"Wx33"Hx30"D

NEW!



5 YEAR WARRANTY

Bazza 56" Armless Bench
28.5"Wx21.75"Hx28.5"D

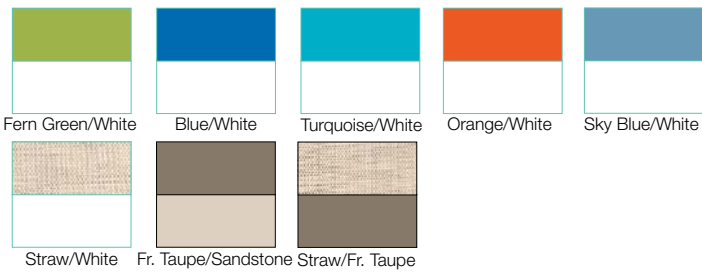


Jamaica Beach Collection

The Jamaica Beach Collection results from a totally innovating concept. The resin chassis rests on six points on the ground. The stretcher that holds the fabric is made of rustproof aluminum. The height of the chaise has been designed in order to be easily raised and lowered. Due to its ergonomic design, the back has four different positions, and the footrest is also adjustable, which increases its comfort. It has two wheels to move it and it is easily stacked and stored.



Color options:



NEW!

3 YEAR WARRANTY

3 YEAR WARRANTY

[Click here to Connect with your Account Manager](#)



Sunset Collection

The Sunset Lounge Collection offers a unique design with extra-large comfort and ergonomic design. This helps create a friendly and relaxing atmosphere with an aluminum look.



3 YEAR WARRANTY

Sunset Sun Lounger



3 YEAR WARRANTY

Sunset Barstool With Arms



3 YEAR WARRANTY

Sunset Armless Barstool



3 YEAR WARRANTY

Sunset Armchair



3 YEAR WARRANTY

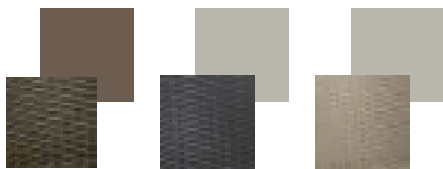
Sunset Lounge



Havana Collection

All-Weather Wicker performance, without the maintenance. Texture will not harbor dirt, sand, food bacteria or fungi. Rated up to 300 lbs weight capacity.

Color Options:



Bronze

Charcoal

French Taupe

NEW!



3 YEAR WARRANTY

Havana Armchair



3 YEAR WARRANTY

Havana Barstool

[Click here to Connect with your Account Manager](#)



Westport Adirondack Collection

Westport Adirondack chairs are fabricated from a Mineral Polymer Composite (MPC) that produces a superior product with a dramatic wood-like finish. The chairs ship fully assembled, easily stackable for daily and seasonal storage. At 22 lbs they are perfect for wind resistance and easy handling. This collection offers lumber support, convenient higher and wider seat with a 400 lbs capacity.



Westport Low Table 16" x 16"



Westport Adirondack Chair



Westport Bench



Realistic Wood Texture Available in French Taupe, White, Barn Red, Barn Blue and Barn Gray

- Barn Red US 449 748
- Barn Blue US 449 747
- Barn Gray US 449 766
- White US 449 004
- French Taupe US 449 181









Cannes Armchair and Sidechair

- Engineered to last with timeless design and iconic inspiration
- Weather resistant and reinforced with 100% fiberglass resin for extra durability
- Lightweight, easy to clean, and low maintenance for perfect everyday use
- Long lasting comfort
- Stays cool in the hot midday sun
- ASTM-B Tested
- 3-year warranty



3 YEAR WARRANTY







Cannes Sidechair

- | | |
|--|--|
|  Charcoal
UT 110 002 |  Yellow
UT 110 737 |
|  French Taupe
UT 110 181 |  Sage Green
UT 110 721 |
|  Terra Cotta
UT 110 814 |  Mineral Blue
UT 110 784 |



3 YEAR WARRANTY

Cannes Armchair

- | | |
|--|--|
|  Charcoal
UT 115 002 |  Yellow
UT 115 737 |
|  French Taupe
UT 115 181 |  Sage Green
UT 115 721 |
|  Terra Cotta
UT 115 814 |  Mineral Blue
UT 115 784 |

ARMCHAIRS

Grosfillex Armchairs

Grosfillex offers a wide variety of sturdy and stackable armchairs. Please note that each model is available in a variety of colors.



Vegetal Armchair



Essenza Stacking Armchair



3 YEAR WARRANTY

Colombo Armchair



3 YEAR WARRANTY

Sanibel Classic Armchair



3 YEAR WARRANTY

Sumatra Armchair



3 YEAR WARRANTY

Vogue Armchair



3 YEAR WARRANTY

Acadia Classic Dining Armchair



3 YEAR WARRANTY

Moon Armchair



3 YEAR WARRANTY

Lava/Fusion Bronze

Sunset 36" Square Table

The Sunset aluminum table is sold complete and made of an HPL tabletop and a base that is cast metal designed with a satin finish. The four flared legs provide for extra chair leg room and extra stability, and will not rust nor get hot in the sun
 S/O Lava/Fusion Bronze
 380298 White/Glacier White
 950111 Concrete/Platinum Gray
 380180 Concrete/Volcanic Black



3 YEAR WARRANTY

White/Glacier White



3 YEAR WARRANTY

Concrete/Platinum Gray



3 YEAR WARRANTY

Concrete/Volcanic Black



3 YEAR WARRANTY

Lava/Fusion Bronze

Sunset 48" Round Table

The Sunset aluminum table is sold complete and made of an HPL tabletop and a base that is cast metal designed with a satin finish. The four flared legs provide for extra chair leg room and extra stability, and will not rust nor get hot in the sun
 S/O Lava/Fusion Bronze MFG P/N US48C599
 S/O White/Glacier White MFG P/N US48C096
 S/O Concrete/Platinum Gray MFG P/N US48C289
 S/O Concrete/Volcanic Black MFG P/N US48C288



3 YEAR WARRANTY

White/Glacier White



3 YEAR WARRANTY

Concrete/Platinum Gray



3 YEAR WARRANTY

Concrete/Volcanic Black



1 YEAR WARRANTY

Fusion Bronze

Sunset Cocktail Table 24" X 40"

The Sunset cocktail table is the perfect complement to the Sunset Conversational Seating. Easy to assemble and constructed of 100% aluminum/powder coated paint
 S/O Fusion Bronze MFG P/N US004599
 S/O Glacier White MFG P/N US004289
 S/O Platinum Gray MFG P/N US004288
 S/O Volcanic Black MFG P/N US004096



1 YEAR WARRANTY

Glacier White



1 YEAR WARRANTY

Platinum Gray



1 YEAR WARRANTY

Volcanic Black



1 YEAR WARRANTY

Fusion Bronze

Sunset 20" X 20" Low Table

The Sunset low table is the perfect complement to the Sunset Conversational Seating. Easy to assemble and constructed of 100% aluminum/powder coated paint
 S/O Fusion Bronze MFG P/N US040599
 S/O Volcanic Black MFG P/N US040289
 S/O Platinum Gray MFG P/N US040288
 S/O Glacier White MFG P/N US040096



1 YEAR WARRANTY

Volcanic Black



1 YEAR WARRANTY

Platinum Gray



1 YEAR WARRANTY

Glacier White



Windmaster Square Commercial Umbrella

Built to sustain the unpredictable abuse of the wind, the Windmaster umbrella has a heavy-duty aluminum pole for extra strength, along with replacable fiberglass ribs to bend but not break. Extra large vent to release the wind pressure, and colorfast, easy to maintain Recacril Marine Grade solution died acrylic fabric. Should be lowered in windy conditions. Operators discretion is advised to prevent wind and consequential damage.

Important: All umbrellas must be securely fastened to an appropriate base and closed and tied securely during heavy winds.

Windmaster Color Options:



5 YEAR WARRANTY
FABRIC

3 YEAR WARRANTY
FRAME

6 1/2' Windmaster Square Umbrella

S/O



5 YEAR WARRANTY
FABRIC

3 YEAR WARRANTY
FRAME

7 1/2' Windmaster Square Umbrella

S/O



5 YEAR WARRANTY
FABRIC

3 YEAR WARRANTY
FRAME

9' Windmaster Square Umbrella

S/O

UMBRELLA BASE COLLECTION



1 YEAR WARRANTY

24" Square Umbrella Base

24" square, 16" Stem Height. Allows for a freestanding umbrella with 1.5" pole.



1 YEAR WARRANTY

20" Flat Round Umbrella Base 50 lbs

20" Diameter, 9" Stem Height. Pre-drilled holes for mounting on deck or use with umbrellas through table holes.



1 YEAR WARRANTY

Freestanding Umbrella Base with Wheels 84 lbs

24" Diameter, 16" Stem Height. Cement filled base with a resin cover. Available in White, Sand, Bronze and Charcoal.



1 YEAR WARRANTY

Table Umbrella Base 35lbs

20" Diameter, 10" Stem Height. Specifically designed to hold a table umbrella. Available in White, Sand, Bronze and Charcoal.



1 YEAR WARRANTY

Resin Umbrella Base with Filling Cap 35lbs

21" Diameter, 13" Stem Height. Designed to fit under Grosfillex table. Must be filled with water or sand. Available in White, Bronze, and Black



1 YEAR WARRANTY

Market Umbrella Base 70 lbs

20" Diameter, 16" Stem Height. Cement filled resin umbrella base designed for 2" umbrella pole. Available in White, Sand and Black.



Why choose the Windmaster10 Cantilever?



Windmaster10 Cantilever

The elegant & modern Grosfillex Windmaster10 allows you to maximize your space with its innovative extruded aluminum side mast. Manufactured using the most durable materials and fabric, the Windmaster10 will provide many years of trouble-free use and enjoyment.

Its Infinity Tilt allows you to change positions effortlessly and provides hours of maximum shade regardless of the position of the sun. This modern cantilever is suitable for use in low to moderate wind conditions-up to 40 mph.

Windmaster10 fabric has an outer surface finish enhanced by an Infinity Process – a treatment that ensures the lasting quality of the fabric and superior waterproofing. It is easy to clean, resistant to mold and mildew, won't sag or stretch over time (like lighter weight fabric will), and has an exceptional guarantee against fading.



1. Made of extruded aluminum for years of worry-free use. Wind stabilizer bar engineered and tested to withstand 40 MPH sustained winds.
2. Infinity tilt allows effortless position changes and countless tilt angles (use with caution in high winds).
3. Easy-to-operate crank mechanism for opening and closing.
4. Canopy made with Recacril® Marine Grade Acrylic Fabric. The vent prevents wind from getting trapped and allows air to escape.
5. Comes with matching cover to keep it protected during downtime. Cover includes “easy-on” pole to help reach the top of the umbrella and slide cover on.
6. Free-standing cross base (sold separately) is designed to accept readily available 16”x16” concrete pavers for ballast. The cross base features a low-profile and requires (8) pavers-320 lbs. (not included with base). Ref #: US606017
7. Includes 5-year warranty on frame and 3-year warranty on fabric.



Cantilever Color Options:



1 YEAR WARRANTY

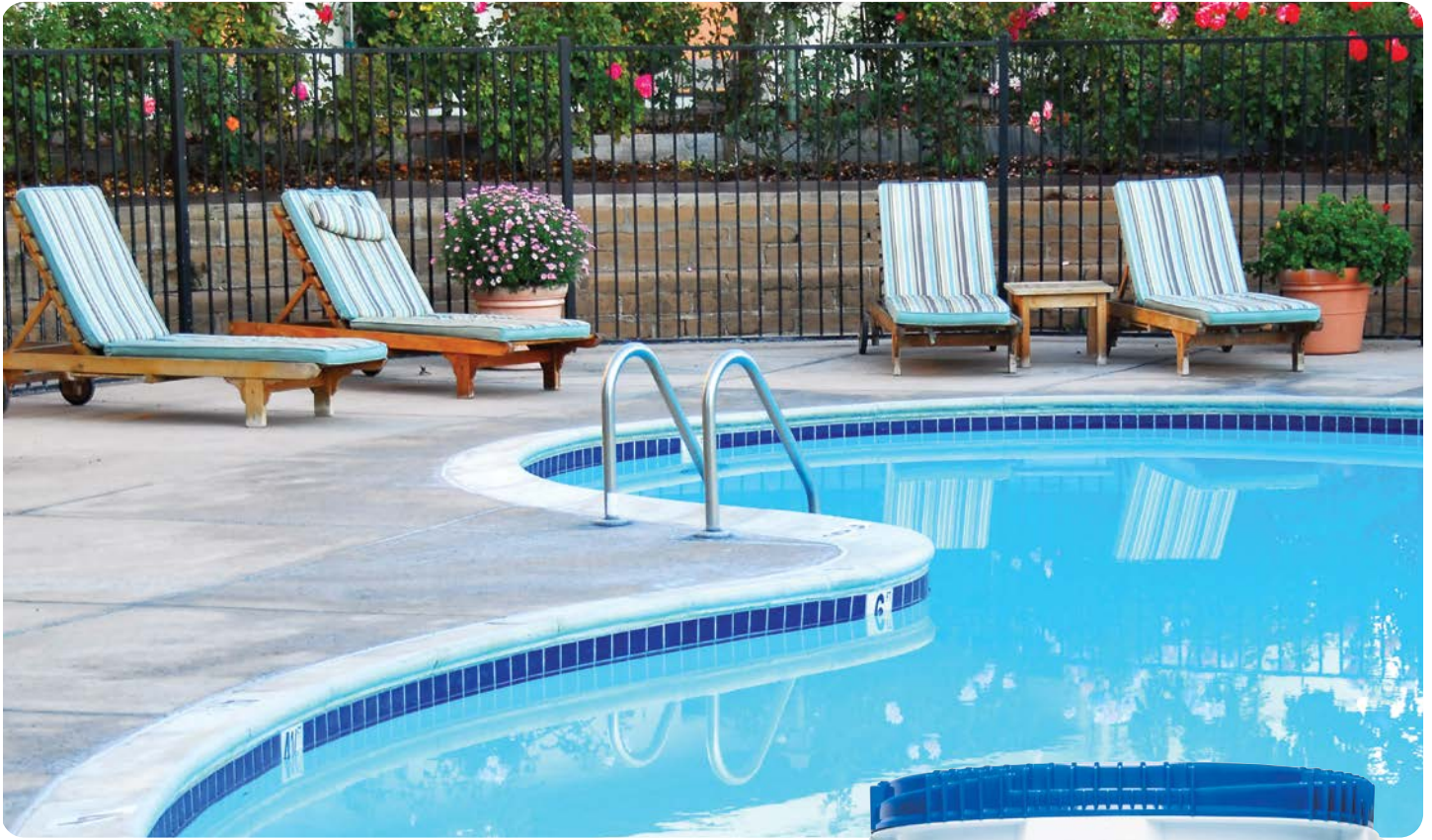


Cross Base for Cantilever Umbrella

39”Wx39”D

Constructed with powder coated steel, uses 16” x 16” paver stones.

[Click here to Connect with your Account Manager](#)



Strongest Available Chlorine

90% Available Chlorine

Our tablets are the strongest on the market. Don't be misled by a lower price on a lower percent of available chlorine. You're paying for a strong bacteria killer. Make sure you get it!

No Fillers

You won't find any in a Leslie's tablet. Some use them to bulk up the tab size in place of more costly active ingredients. Not Leslie's!

Ultra-Violet Ray Inhibitor

The sun burns off chlorine in your pool. Our tablets have an inhibitor added to greatly slow this process down, allowing your chlorine to work longer!

Densely Compressed

Our tablets last longer because of it. We pack them tight so they dissolve slowly in your pool!

Quality Chlorine Tabs

- The strongest tablet you can buy
- 90% available chlorine
- No fillers
- Stabilized to protect against UV rays

Poolfresh® 3" Tablets
12450 50 lb

Leslie's 3" Jumbo Tabs
12423 7 lb
12427 20 lb
12437 35 lb



Chlor Brite®

Quick-Dissolving Concentrated Chlorinating Granular

- For use in all types of pools & spas
- Kills bacteria & algae
- Use for shocking or everyday chlorination
- Fast dissolving
- Provides quick chlorine boost
- Safe in all pools

12061 25 lb
12064 40 lb



Bromine Tabs

- Excellent for indoor pools or spas
- No chlorine odor
- 1" tablets fit in all automatic Brominators or inside filter core

14305 25 lb
14306 50 lb



LIQUID CHLORINE

Liquid Chlorine

- Brand, sizing and availability vary by market
- Call for local pricing
- Container deposits separate

14237 4 x 1 gal
14238 2 x 1 gal
14248 5 gal
14249 15 gal
81907 53 & 55 gal
14245 2.5 gal - Florida Only



Available in select markets

Bulk available in most markets.

Leslie's is excited to announce a great program to support our commercial partners. Leslie's Poolmart offers a mini-bulk program that allows for direct delivery of liquid chlorine or acid to your refill tank that can range from 200 – 2,000 gallons. Please contact us today for your local commercial pricing.



TYPES OF CHLORINE COMPARISON CHART

NAME	TRICHLORO-S TRIAZINETRIONE	SODIUM DICHLORO S-TRIAZINETRIONE	CALCIUM HYPOCHLORITE	LITHIUM HYPOCHLORITE	SODIUM HYPOCHLORITE
Common name	Trichlor	Dichlor	Cal Hypo	Lithium	Liquid/Bleach
(%) Available chlorine	85% - 90%	55% - 63%	65% - 75%	35%	10% - 15%
Effect on pH	Lowers	No change	Raises	Raises	Raises
Advantage	Dissolves slowly. Long shelf life. Protected from sunlight. Works in most chlorinators.	Built-in protection from sunlight. Quick-dissolving. No residue. For regular or superchlorination.	Excellent for sanitizing or superchlorination. High percentage of available chlorine. No stabilizer.	Quick-dissolving. Will not cloud water. Safe to handle. Dust-free.	Inexpensive. Instant chlorine for superchlorination. Non-flammable.
Disadvantages	Possible stabilizer buildup in commercial pools. Requires a feeder.	Possible stabilizer buildup in commercial pools.	Requires special handling. Calcium may build up. Clouds water. Unstable.	Expensive. Unstable. Lowest chlorine content of dry chlorine compounds.	Short shelf life. High salt content. Unstable. Dissipates rapidly in sunlight. Containers may leak.

[Click here to Connect with your Account Manager](#)

CALCIUM HYPOCHLORITE



Unstabilized Chlorine

Power Powder Plus™

- Our flagship chlorine shock and Superchlorinator goes through an extra refining process to make it dissolve FAST!
- 73% Calcium Hypochlorite – not a watered-down "blended" shock

- 1 lb treats up to 16,500 gallons
- Does Not Increase CYA
- 14679 1 lb Pouch
- 14682 25 lb

Power Powder Granular 70

- 70% available chlorine
- Dosage: 1 lb treats 15,500 gallons
- Does Not Increase CYA
- * *Product Brand may vary by market*
- 14208 50 lb
- 14209 100 lb

Power Pro™ Tabs® SI

- Leslie's exclusive 1¼" Blue Calcium Hypochlorite Tablets for commercial applications
- Contains scale inhibiting formula
- Use in a Sani-Tower Chlorination system only (see below)
- Does Not Increase CYA
- 81110 50 lb

NON-CHLORINE SHOCK OXIDIZER



Unstabilized Shock

Fresh 'N Clear

- Chlorine free oxidizer equals superior performance without raising chlorine levels
- Reduces odor and irritation by removing contaminants that cause dull water, odors, burning eyes, and irritation
- Contains a unique clarifier to make water sparkle
- Easy to use - no mixing required, no bleaching effects, no waiting to swim
- For routine pool water treatment, use 1 pound per 10,000 gallons of water every 1-2 weeks, to prevent problems before they start

- 14540 1 lb
- 14546 25 lb
- 14547 40 lb

SODIUM BICARBONATE



Alkalinity Up (Sodium Bicarbonate)

- Raises Total Alkalinity to its proper range (80 – 120 ppm)
 - Stabilizes pH
 - Results in a better balanced pool, more comfortable water and less hassle for you!
 - 1-1/2 lb of Alkalinity Up will raise the Total Alkalinity by 10 ppm in a 10,000 gallon pool
- 14060 5 lb
14063 10 lb
14068 30 lb Pail
14069 50 lb Pail
81292 50 lb Bag
81294 50 lb (Food Grade)
- Please call for availability*

SODIUM CARBONATE



Soda Ash

- 100% granular sodium carbonate; raises pH in pool water
 - Dosage: If pH is below 7.2, add 1 lb of Soda Ash per 10,000 gallons
- 14730 5 lb
14733 10 lb
14736 30 lb Pail
14737 45 lb Pail
81298 50 lb Bag

CALCIUM CHLORIDE



Hardness Plus

- 94-97% calcium chloride
 - Raises calcium hardness
- 14425 15 lb
14427 25 lb
14428 45 lb
81269 50 lb Bag
(83-87% Calcium Chloride Flakes)
4 lb, 8 lb & 10 lb available
- Please call for availability*

NEUTRALIZER



Chlor Neutralizer

- Lowers chlorine or bromine level to enhance bather comfort or comply with required maximum ranges
 - Dosage: 2-1/2 ounces per 10,000 gal removes 1 ppm Free Available Chlorine
- 100% Sodium Sulfite
14253 3 lb
14256 25 lb
Sodium Thiosulfate
81276 50 lb Bag
- Please call for availability*

CONDITIONER



Instant Conditioner

- Instant Pool Water Conditioner with a pool friendly pH
 - Does not contain acid
 - Dosage: 4 oz per 10,000 gallons = 1 ppm increase
 - Dissolves Instantly
- 12323 1 gal



Conditioner (Cyanuric Acid)

- Dosage: 2 lbs per 10,000 gallons to raise 25 ppm
- 12302 4 lb
12305 8 lb
81293 100 lb

SODIUM BISULPHATE



Dry Acid

- 100% sodium bisulphate lowers pH
 - Use when pH is 7.8 or higher
 - Ideal for vinyl and fiberglass pools
 - ANSI
- 14349 2 lb
14353 10 lb
14357 25 lb



Muriatic Acid

- Brand, sizing and availability vary by market
- Economical pH control
- 14015 2 x 1 gal
14235 5 gal
14236 15 gal
81916 53 gal
- Bulk deliveries available in selected markets
Liquid Acid Container deposit separate



Acid Magic

- Easier to use
- Excellent pH down & alkalinity adjuster
- Extremely effective acid wash
- Cleans tile, porcelain brick & concrete
- Removes rust, scale, mineral build-up and stains
- Cleans filters, chlorine generators and meter electrodes



- 14292 32 oz
14292 5 gal
14293 15 gal
14295 55 gal
14296 275 gal tote
- Please call for availability*

STAIN & SCALE PRODUCTS



Pool Refresh

- Reduces the effects of pool water hardness
- Leaves skin and hair feeling soft and moisturized
- Mask chlorine or chemical odors in the swimming pool
- Keep pools fresh all year long
- The perfect weekly treatment for swimming pools
- Dosage: 5 oz for every 15,000 gallons
- Won't affect your water chemistry
- It's the experience you've been waiting for

It has a skin moisturizer to reduce irritation while making your skin feel soft. Each bottle contains a one month supply for the average swimming pool. Add directly into skimmer weekly or after every chemical treatment.

48540 20 oz bottle

WATER CLARIFIERS



Perfect Weekly

- Phosphate Remover, 3L bottle
- Add a capful per 8,000 gallons each week
- Enzyme blend, non-clouding phosphate remover and evaporative water barrier
- Perfect 3-in-1 maintenance product

Combining the benefits of SMARTZyme technology, PHOSfree technology and COVERfree technology, the Perfect Weekly Phosphate Remover provides you with superior water quality with less time spent on maintenance.

Simply add one capful per 8,000 gallons of water into your skimmer and watch your water become more clear! Containing the only broad spectrum enzyme blend, non-clouding phosphate remover and evaporative water barrier, this is the perfect 3 in 1 maintenance product.

13144 3L bottle

WATER CLARIFIERS



Best Seller



Ultra Bright Advanced

- Cloudy to clear water FAST
- Non-foaming
- Effective in high chlorine environments
- Salt system compatible

15916 1 qt

15918 1 gal

Clearex 500 Concentrate

- Exciting, proven and improved concept in pool water clarification aids
- May be applied whenever cloudy water problems occur

14933 1 qt

14934 1 gal

Super Floc

- Settles suspended dirt and particles

14410 1 qt

Oil Out

- Nature's Organic Water Cleaner Enzyme concentrate

14940 1 gal

Alum

- Tried and true granular water clarifier and filter aid
- Quick-dissolving and fast-acting

14070 5 lb

14071 8 lb

SEAKLEAR PRODUCTS

Natural Clarifier

- SeaKlear Natural Clarifier is ideal for preventing common cloudiness, by clearing away dirt and oil

200732 1 qt

14945 1 gal

14948 5 gal



Rescue Klear

- SeaKlear Flagship is blended with scum-fighting enzymes

14957 1 qt

14958 1 gal

14959 5 gal



90-Day Algae Prevention

- Industry leading 90-Day Algae Prevention and Remover offers a 90-day no-algae guarantee

14961 1 qt

14962 1 gal

14966 5 gal



Phosphate Remover

- Our most powerful phosphate removal treatment

14954 1 qt

14953 1 gal

14956 5 gal

S/O 55 gal





Pool Clarifier

- Clears cloudy water
- Improves filtration
- Can be used with shock
- Cannot be overdosed

12314 1 gal
12315 5 gal

Technologies	Chitosan clarifier
Dosing Amount	To Clear Cloudy Water Add 1 oz. per 5,000 gallons Maintenance Add 1 oz. per 7,000 gallons
Product It Replaces	Clear Commercial AF and Clear & Perfect Commercial



Phosphate Remover

- Removes problem-causing phosphates
- Clarifies water

12321 1 gal
12322 5 gal

Technologies	Phosphate remover & clarifier
Dosing Amount	See dosing chart on label for bulk removal doses. Two ounces will remove 1,000 ppb in 10,000 gallons of water Weekly maintenance dose is 1 oz. per 6,000 gallons
Product It Replaces	PHOSfree Commercial AF



Power Blend

- Reduces scum lines, filter cleaning and evaporation
- Removes phosphates
- Polishes water

12312 1 gal
12313 5 gal

Technologies	Enzymes, phosphate remover & clarifier
Dosing Amount	Add 1 ounce per 2,000 gallons of pool water weekly
Product It Replaces	New formula



We're the Nation's Largest Service and Installation Team

Equipment Installation & Repair

- Pumps
- Filters
- Chlorinators
- Heaters
- Motors
- Hand Rails
- Safety Covers
- Time Clocks
- Chemical Automation Systems
- Plumbing Repairs

Maintenance

- Acid Wash (select areas)
- Filter Sand Change
- Filter Cleaning
- Salt Cell Cleans
- Heater Diagnostic
- Open/Close Pool
- Tile Cleaning (select areas)
- Pool Draining
- And More. . .



AZ-Res-ROC122732, AZ-Comm-ROC256424, CA-755161, CT-PLM.0284528-SP,FL-CPC057127, FL-26806, NC-28806-SP-SP, NJ-13VH04768200, NV-35903, NY-44003-H,NY-H28063502, PA-PA067663, TX-TICL232

[Click here to Connect with your Account Manager](#)

MINERAL TREATMENT



Eliminates and Prevents All Algae.
Reduces Chemicals, and lasts up to 6 Months! PoolRx is ideal to use with Chlorine, Salt, UV or Ozone Systems. It can support any size body of water and is perfect for Residential and Commercial use.

Booster Mineral Bucket and Commercial Unit

- Treats up to 300,000 gallons
- 305429 *White Commercial Unit Only*
- 15494 Bucket

PoolRx Black Unit

- Treats 20,000 to 30,000 gallons
- 15491 1 pk 15482 4 pk

PoolRx Blue Unit

- Treats 7,500 to 20,000 gallons
- 15486 1 pk 15481 4 pk

PoolRx Spa Mineral Units

- Treats 100 to 400 gallons
- 15467 1 pk Yellow
- Treats 400 to 1,000 gallons
- 15488 1 pk Black

PoolRx Booster Mineral

- Treats 7,500 to 20,000 gallons
- Add every 4 to 6 months
- 15466 1 pk 15493 4 pk



ALGAE REMOVER

Algae Control

- Leslie's Algae Control is perfect for destroying algae present in your pool, but also serves as a preventer. Weekly use will keep your pool algae-free all season long
- 60% active ingredient is the strongest formula available
- Will not stain pool or fixtures and does not foam up like other algae cleaners
- Can be used with fiberglass, vinyl, tile and colored plaster pools
- Perfect for spas, hot tubs and outdoor fountains
- Destroys and prevents most types of pool algae including pink algae
- Just a few ounces of Leslie's Algae Control will clean your entire pool

14025 1 qt 14030 1 gal
14028 1/2 gal



90-Day Algae Prevention

- Industry leading 90-Day Algae Prevention and Remover offers a 90-day no-algae guarantee

14961 1 qt
14962 1 gal
14966 5 gal



Skill-It

- Fast acting super effective algaecide that removes even the toughest black algae
- Eliminates all algae types quickly
- No pH adjustment required
- Contains no heavy metals

14051 1 qt
14052 1 gal



Yellow Out

- Safely cleans up all forms of algae
- Non-metallic, fast acting
- Dissolves rapidly

14990 | 15990 2 lb
14991 | 15991 4 lb
14993 | 15993 20 lb

Green To Clean

- Specially formulated for Green Algae
- Non-metallic, fast acting
- Dissolves rapidly

14975 | 15975 2 lb
14976 | 15976 4 lb
14977 20 lb



Copper Algaecide

- Highly concentrated chelated copper formulation for killing algae
- Copper is known to be highly toxic to algae, especially yellow and black algae

14008 1 qt



Black Algae Killer

- Uniquely blended formula
- Best algaecide to use for stubborn algae, such as black algae

14007 1 qt
14024 1/2 gal



Watch a Yellow Out and Green to Clean demonstration online by visiting www.yellowout.com



MAIN BENEFITS OF ACTIVATE
 3 reasons why activate is a more effective filter media than sand:

- 1 Better filtration with up to 300 times more surface area than sand for clearer water.
- 2 Attracts and captures harmful bacteria with a negatively charged filter media for cleaner water.
- 3 Prevents the growth of bacteria and algae with a self-sterilizing surface for healthier water.



Activate

Activate permanent filter media is used in more than 250,000 pools. It is trusted by industry professionals as the best product for creating clear water and a healthier swimming environment.

Fine Filter Media Grade 1
 902029 25lb



Activate is 100% pure and resistant to bacteria.

Enhance

Enhance Summer is a liquid UV filter that promotes the removal of pollutants. For optimum performance combine Active with Enhance

904967 1 gal



LAYORCARE POOL & PATIO PROTECTION



Cal Block

- Protects waterline & all surfaces from damage caused by calcium & efflorescence
- Easy to apply by sprayer or brush
- Keeps surfaces looking like new & easier to maintain

14383 1 qt
 14384 1 gal



Heavy Calcium Releaser

- Removes calcium and mineral deposits
- Use on pool tile & decks, natural stone, water features & more
- Won't affect pools pH levels
- Won't etch most surfaces

14379 1 qt
 14380 1 gal



TR3

- Hides light scale build up
- Restores original color and wet look finish
- Guards against future waterline calcium and makes surfaces easier to keep clean
- Won't etch most surfaces

14355 1 qt
 14360 1 gal



No-Slip

- New Micron engraving technology
- Increases the coefficient of friction on wet surfaces
- Safe and easy to use

14372 1 gal

[Click here to Connect with your Account Manager](#)



Commercial Test Kits

- Designed for the comprehensive, routine testing required for public and semi-public pools
- Test for Free, Combined, and Total Chlorine, Total Bromine, pH, acid and base demand, Total Alkalinity, Calcium Hardness and Cyanuric Acid

81325 2 oz Bottles
81330 .75 oz Bottles



TEST KITS AVAILABLE IN SPANISH



DPD Test Kit

- Accurately test for:
- Free Chlorine
 - Total Chlorine
 - pH and Total Alkalinity
- 18547 Test Kit DPD
18571 Basic Test Kit DPD



FAS-DPD Test Kit

- Titration Testing of Free Chlorine
- Portable & practical for on and off-site testing
- Contains all the necessary reagents & equipment
- DPD can test FAC to 25 ppm undiluted
- Can test up to 20 ppm accurately

Perfect to meet requirements of Accidental Fecal Release (AFR) protocols
81329 FAS DPD Test Kit .75 oz bottles
200214 FAS DPD Test Kit 2 oz bottles

TAYLOR TTI® 2000 COLORIMETER

TTi 2000 Colorimeter

You already know you can trust Taylor chemistries. Now, get that same reliable performance from a handheld meter! The TTI® 2000 Colorimeter (M-2000) for testing pools and spas can be used to monitor more than a dozen parameters (reagent packs sold separately). User-friendly features include the ability to create your own menus of favorite tests, adjustable backlighting on the large liquid crystal display, and an auto-read function on the test timer, so you never miss seeing a result because you got preoccupied with other tasks. Unlike competing models, our meters come with data interface software, an AC power adapter, a USB cable, and all other essentials. The meter also offers free lifetime software upgrades as new tests are developed, an industry-best five-year warranty, and the tech support Taylor is renowned for.

Optional accessories include: an Accuracy Check Kit (K-8000) with five standards to verify instrument performance and an attaché-type carrying case (#9504).

955507



TAYLOR LIQUID REAGENTS

REAGENT	TAYLOR#	.75 oz	2 oz	16 oz
DPD No. 1	R-0001	81340	81341	•
DPD No. 2	R-0002	81345	81346	•
DPD No. 3	R-0003	81350	81352	•
pH Indicator Solution	R-0004	81355	81356	81357
Acid Demand Reagent (ADR)	R-0005	81360	81358	81354
Base Demand Reagent (BDR)	R-0006	81365	81361	81362
Thiosulfate N/10	R-0007	81370	81367	81366
Total Alkalinity Indicator	R-0008	81375	81372	81371
Sulfuric Acid .12N	R-0009	81380	81377	81376
Calcium Buffer	R-0010	81385	81382	81381
Calcium Indicator Liquid	R-0011	81390	81387	81386
Hardness Reagent	R-0012	81395	81396	81394
Cyanuric Acid Reagent	R-0013	81411	81398	200275
Phenol Red Indicator	R-1003J	S/O	81337	905064
Chromate Indicator	R-0630	200301	200302	•
Silver Nitrate	R-0718	200332	200333	•
FAS-DPD Titrating Chlorine	R-0871	81348	81349	•
FAS-DPD Titrating Bromine	R-0872	200394	200395	•
Phosphate Reagent #1	R-0980	200417	•	•
Phosphate Reagent #2	R-0981	200418	•	•
Deox Reagent	R-0867	200380	81408	•

Taylor Powdered Reagents

REAGENT	TAYLOR#	10 gram	50 gram	.25 lb
DPD Powder	R-0870	81331	•	81332

Protection From the Elements



Both **AQUA-SHIELD PRO**® and **NEPTUNE**™ are designed and constructed to provide your customers additional layers of protection against the elements.

AQUA-SHIELD PRO is built for service professionals like you, with a top-mounted conduit box making installation easy. The totally enclosed fan-cooled (TEFC) aluminum finned design protects the motor from moisture and heat, giving your customers a product with longer service life. **AQUA-SHIELD PRO** will be available exclusively through pool industry professionals or distributors..

The **NEPTUNE Variable Speed Pool Pump Motor** is a direct replacement motor designed to reduce energy usage associated with a pool pump by up to 80%. There is no longer a need to replace the entire pump to gain energy savings associated with variable speed. The TEFC finned aluminum design helps extend field life by protecting components from moisture and debris. This line of motors is compliant with Title 20 regulations, CEC requirements, and the proposed DOE rule. With an integrated control, simply set the time of day and the default programming will save on utility expenses, keep chemicals balanced, water clear, and keep the filter efficiency maximized.

To learn more about our motor lines,
visit usmotors.com/pool-spa

Nidec

NIDEC MOTOR CORPORATION



© 2019; All Rights Reserved. U.S. MOTORS® is a registered trademark of Nidec Motor Corporation. Nidec Motor Corporation trademarks followed by the

® symbol are registered with the U.S. Patent and Trademark Office.

www.nidec-motor.com

WaterLink® SpinTouch™

Designed For Service Tech Pool Operators

- Reliable Results
- Super Fast & Simple
- Auto-Record Keeping
- 3-Use Disk Cuts Costs
- Rugged and Portable

381491



*Disks Sold Separately

WaterLink® Spin Touch™

The innovative WaterLink® Spin Touch™ photometer does all your pool and spa water testing for you. Each sealed reagent disk contains the precise amount of reagent needed to run a complete series of tests. Just fill one unique spin reagent disc with less than 3 ml of water and all your vital tests are done automatically. In just 30 or 60 seconds all the test results are transferred into the Waterlink® Solutions PRO* and analyzed to display results and recommend precise treatment instructions.

This is the most advanced system for precise use of wet chemistry methods ever produced! Now pool and spa analysts can achieve precision without time consuming test and clean-up procedures. This ground-breaking analysis system is so simple anyone can use it! No vials to fill, no prep time, no guessing!

3582 Mobile Commercial Waterlink® Spin Touch™ Lab w/Carrying Case (without software)

Reliable Results

- Virtually Eliminates User-Error
- Pre-Measured Reagents and Pre-Measured Sample
- Exact Reaction Time and Auto-Blanking
- Meter Calibration Check System
- 6-Wavelength Photometer

Super Fast & Simple

- 30 Seconds for 3-Test Disk, 60 Seconds for 10-Test Disk
- Fill Disk and Insert > Tap "Start Test" > Read Results

Auto-Record Keeping

- Stores Test Dates, Times, Results
- Upload to Cloud, Download to Computer, Print to Bluetooth Printer

Stand-Alone or Cloud Ready!

- No Computer, Smartphone, or Tablet Needed
- Touchscreen Operation (multi-lingual)
- Communicate through Bluetooth or USB

3-Use Disk

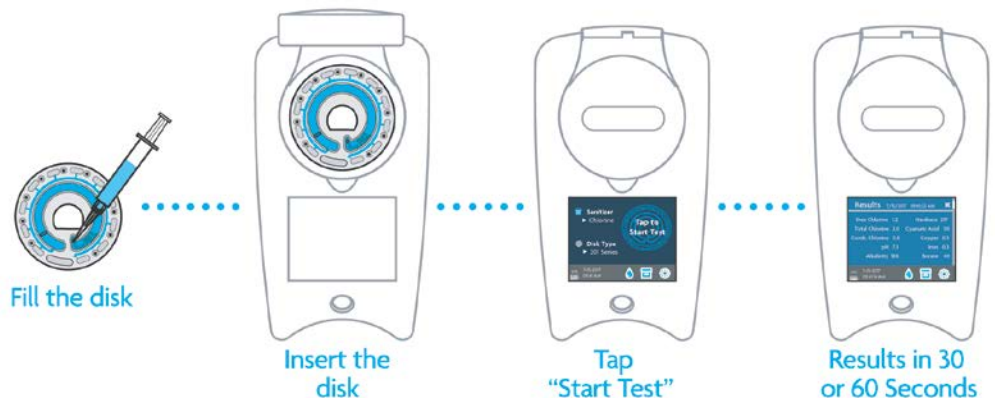
- 3-Use Disk - Results in 30 Seconds!
- Meter Knows Which Test Section is New Test
- Also Runs 10-Test Disks for Full Test Series Results in 60 Seconds!

Rugged and Portable

- Innovative Water-Resistant Housing
- Internal, Rechargeable Batteries
- Optional Heavy-Duty, Waterproof Carrying Case

Advanced Cloud Software

- Android and iPhone WaterLink Connect Apps Enable Live Connections to Mobile Cloud Software
- WaterLink Solutions PRO Offers Treatment Recommendations, Test Result Collection, Service Scheduling, E-Door Hanger Emails and Much More!



WATERLINK® SPIN DISK SERIES

The genius behind the Spin Touch® is its Patented Centrifugal Fluidics Reagent Disk – designed to analyze 10 or 3 parameters simultaneously!


	MFG part#	4329-H	4334-H
	Uses per Disk	Single	3
Test Parameter	Range		
Free Chlorine (DPD)	0-15 ppm	•	•
Total Chlorine (DPD)	0-15 ppm	•	•
Bromine (DPD)	0-33 ppm	•	•
pH	6.4-8.6	•	•
Calcium Hardness	0-800 ppm	•	
Total Alkalinity	0-250 ppm	•	
Cyanuric Acid	5-150 ppm	•	
Copper	0-3.0 ppm	•	
Iron	0-3.0 ppm	•	
Salt	0-5000 ppm	•	
Phosphate	0-2000 ppb	•	
Borate	0-80 ppm		
Biguanide	0-70 ppm		
Biguanide Shock	0-250 ppm		



Recycle your disks! Ship us your used disks, we'll grind and recycle them. For details, go to waterlinkspintouch.com/support.

10 Test Parameters Disks

Ideal for Service, In-Store, and Public Pool Testing

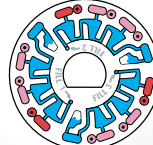


60
SECONDS

See Test Parameters in Chart at Right

Test 3 Parameters, 3 Times!

Ideal for Public Pool Testing Throughout the Day



30
SECONDS

See Test Parameters in Chart at Right

POOL & SPA TEST STRIPS

A. Insta-Test PRO 600 Test Strips

Free Chlor, Bromine, Total Chlor, Alkalinity, Hardness & Cyanuric Acid

18609 100 Strips

B. Insta-Test PRO 400 Test Strips

Free Chlor, Bromine, Alkalinity, Total Chlor & pH

18607 100 Strips

C. Insta-TEST PRO Salt Test Strips

Sodium Chloride 1500 to 5000 ppm

18611 50 Strips

D. InstaTest Borate Test Strips

Borate levels 0, 15, 30, 50, 80ppm

18728 25 Strips

E. InstaTest Nitrate Test Strips

Nitrate levels 0, 10, 30, 60, 120, 200ppm

18729 25 Strips

F. Phosphate Test Strips

18510 10 Strips

G. Insta-Test Phosphate Test Strips

Phosphates from 0 to 2500 ppb

437474 25 Strips

H. InstaTest Copper & Iron Test Strips

Copper and Iron Levels

18730 25 Strips



LAMOTTE

ColorQ 2x PRO 7 Code 2086

The waterproof, Bluetooth ColorQ 2x PRO 7 photometer was designed for pool and spa professionals to measure seven primary pool and spa tests on a digital display. Photometer uses liquid reagents to measure 144 tests for Free Chlorine (DPD), Total Chlorine (DPD), Bromine (DPD) and pH. There are 100 instrument grade tablets to measure Alkalinity, Calcium Hardness and Cyanuric Acid.

See chart below.

Factors | Ranges

- Free Chlorine | 0-10 pm
- Total Chlorine | 0-10 ppm
- Bromine* | 0-22 ppm
- pH | 6.5-8.5
- Alkalinity | 0-300 ppm;
- Hardness | 0-600 ppm
- Cyanuric Acid | 0-150 ppm



ColorQ 2x PRO 9 Code 2086

ColorQ 2x PRO 9 Test Kit: The ultimate on-site hand-held waterproof, Bluetooth pool and spa photometer. It measures nine pool & spa tests directly on a digital display. Test factors include Free Chlorine (DPD), Total Chlorine (DPD), Bromine (DPD), pH, Alkalinity, Calcium Hardness, Cyanuric Acid, Iron, and Copper.

The kit features economical liquid reagents along with easy to use TesTabs® tablets, and a Pool Manager Handbook. The ColorQ® 2x eliminates the need to visually determine slight color variations or use look-up tables, thus taking the guesswork out of poolside water analysis. The ColorQ® 2x PRO 9 and reagents are packaged in a rugged carrying case for on-site testing.



ColorQ PRO 7-PLUS Code 2064

The ColorQ PRO 7-Plus pool photometer directly measures the seven primary tests on a digital display. The ColorQ PRO 7-Plus meter, Pool Manager Water Quality Handbook, Saturation Index Calculator, reagents and trilingual instructions (English, Spanish, French) are packaged in a rugged carrying case.

Factors | Ranges

- Free Chlorine | 0-10 pm
- Total Chlorine | 0-10 ppm
- Bromine* | 0-22 ppm
- pH | 6.5-8.5
- Alkalinity | 0-250 ppm
- Calcium Hardness | 0-700 ppm

903548 ColorQ Pro 7-Plus



SALT/TDS/TEMP TRACER Code 82070

SALT/TDS/TEMP TRACER PockeTester Kit: The electronic Salt TRACER PockeTester™ measures the Sodium Chloride level in salt water pools with a range from 0 to 9,999 ppm. TDS is measured from 0 to 9,999 ppm and Temperature from 32.0° to 149°F. The product is packaged in a rugged carrying case.



The ORP & pH TRACER Code 82001

The ORP & pH TRACER PockeTester™ Kit designed for pool professionals to measure ORP from -999 to 999 mV with an accuracy of +/- 4 mV and pH sensor allows direct reading of pH from 0.01 to 14.00 pH with a +/- 0.01 accuracy. The TRACER offers simultaneous pH and Temperature displays and a 15-reading memory storage. All the items are packaged in a rugged compact carrying case.



Lamotte Pool Manager Tablet Reagents

REAGENT	50 (TESTABS)	100 (TESTABS)	1,000 (TESTABS)
Chlorine DPD 1R	•	82022	82031
Chlorine DPD 3R	82014	82023	82032
Chlorine DPD 3R	82015	82024	S/O
Phenol Red pH	82016	82025	82034
Alkalinity	82017	82026	82035
Calcium Hardness	82019	82028	82037
Cyanuric Acid	82018	82027	S/O

Lamotte ColorQ Liquid Reagents

REAGENT	LAMOTTE	30 ml	60 ml
DPD 1A	6740	82080	82074
DPD 1B	6741	82081	82075
DPD 3	6743	82082	82076
pH Reagent	7037	82083	901002
Total Alkalinity	7039	89043	89049
Calcium Hardness 1	7042	82085	901004
Calcium Hardness 2	7041	82086	900186

TesTabs® Reagents	50 Pack	100 Pack	1000 Pack
Chlorine DPD #1 RAPID	•	82022	82031
Chlorine DPD #3 RAPID	82014	82023	82032
Chlorine DPD #4 RAPID	82015	82024	S/O
pH (Phenol Red)	82016	82025	82034
Alkalinity	82017	82026	82035
Cyanuric Acid	82018	82027	S/O
Calcium Hardness	82019	82028	82037
MPS-OUT (Monopersulfate Eliminator)	S/O	82029	•



DPD TesTabs®

The only North American manufacturer of DPD tablets! LaMotte's blisterstyle foil packaging allows users to dispense a tablet into a small vial by pressing the tablet through the foil. The package carries 10 tablets per strip in a compact 3.35" x 1.35" size. LaMotte DPD rapid dissolving formulas for measuring Free and Total Chlorine are enhanced for faster dissolution. **Visual grade tablets are not for use with photometers.**

DPD Liquid Reagents

The liquid alternative to DPD tablets can be used with existing LaMotte Chlorine comparators. DPD 1A and DPD 1B are added to a 5 or 10 mL sample to test Free Available Chlorine. DPD 3 is added to the reacted sample to measure Total Chlorine. Liquid reagents are also available to measure pH, Hardness, Alkalinity and Copper (see the Pool & Spa Price list).

30 mL (1 oz)		60 mL (2 oz)	
Code		Code	
DPD 1A	82080	DPD 1A	82074
DPD 1B	82081	DPD 1B	82075
DPD 3	82082	DPD 3	82076



Lamotte ColorQ Tablet Reagents

REAGENT	50 TESTABS	100 TESTABS	1,000 TESTABS
DPD 1 Instrument Grade	900059	900317	900017
DPD 3 Instrument Grade	404576	S/O	900018
pH Instrument Grade	900057	900318	900019
Alkalinity Instrument Grade	900058	900319	900020
Calcium Hardness Instrument Grade	901696	900021	S/O
Cyanuric Acid	•	82091	437508
Alkalinity ColorQ 2X	•	956686	•
Calcium Hardness ColorQ 2X	•	387525	•

Pure White - LED Light



Incandescent Light



The J&J Difference

J&J Electronics, LLC is an innovative and dynamic technology company founded in 1982 now specializing in LED Lighting design, engineering and manufacturing of high quality, competitively priced LED Lighting for several markets to include new and replacement applications in commercial and residential pools, spas and fountains. J&J has maintained this standard in the LED market with the performance of our core LED brands: Color Splash®, PureWhite®, ColorGlo™ and ColorCHOICE™. As a result, we are considered the premier source of solid state lighting to the pool and spa industries, as well as fountain and architectural markets. J&J is driven to continue manufacturing products that offer uncompromising quality and unparalleled, feature-driven performance.

Pure White LED Pool Light Fixture

- Uses 90% less electricity than standard bulbs
- Rated for up to 50,000 hours of use and reduces maintenance costs



J & J Electronics
6 Bendix, Irvine, CA 92618 • 949.334.8778 • www.colorgloledlighting.com



Pentair Intellibrite White 5G Light



Hayward Crystal Logic



J&J PureWhite LED Light



Pentair SpaBrite Spa Light



Hayward Spa Sunburst Frame Clear



Hayward Spa White Frame Clear

Pentair Intellibrite White 5G Pool Light Fixtures

Product	Voltage	Wattage Equivalency	Actual Wattage	Cord Length
300104	120	300	40	50'
300105	120	300	40	100'
318177	120	300	40	150'
300109	120	500	55	50'
54174	120	500	55	100'
301265	120	500	55	150'

Pentair Intellibrite White 5G Spa Light Fixtures

Product	Voltage	Wattage Equivalency	Actual Wattage	Cord Length
300123	120	100	18	50'
54179	120	100	18	100'
321466	120	100	18	150'

J&J Electronics Purewhite Led Pool Light Fixtures

Product	Voltage	Wattage Equivalency	Actual Wattage	Cord Length
54191	120	300	39	50'
54190	120	300	39	100'
54192	120	300	39	150'
54166	120	500	58	50'
54167	120	500	58	100'
54168	120	500	58	150'

J&J Electronics PureWhite LED Spa Light Fixtures

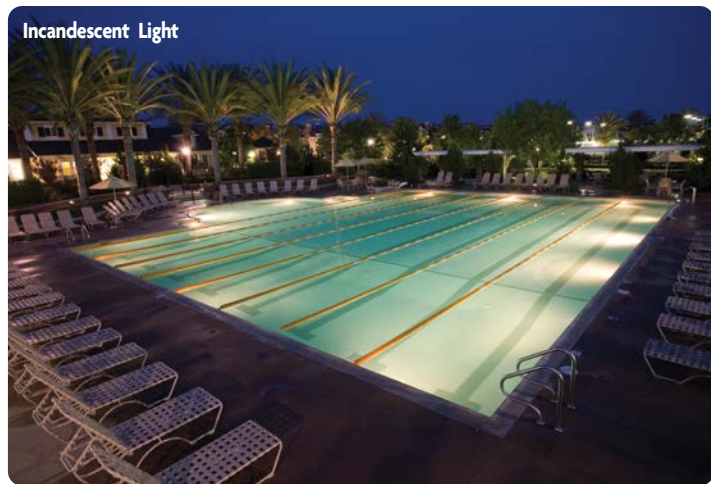
Product	Voltage	Wattage Equivalency	Actual Wattage	Cord Length
54201	120	100	18	50'
54199	120	100	18	100'
54200	120	100	18	150'

Pentair Amerlite Incandescent Pool Light Fixtures

Product	Voltage	Wattage	Cord Length
54031	120	500	50'
54037	120	500	100'
S/O	120	500	150'

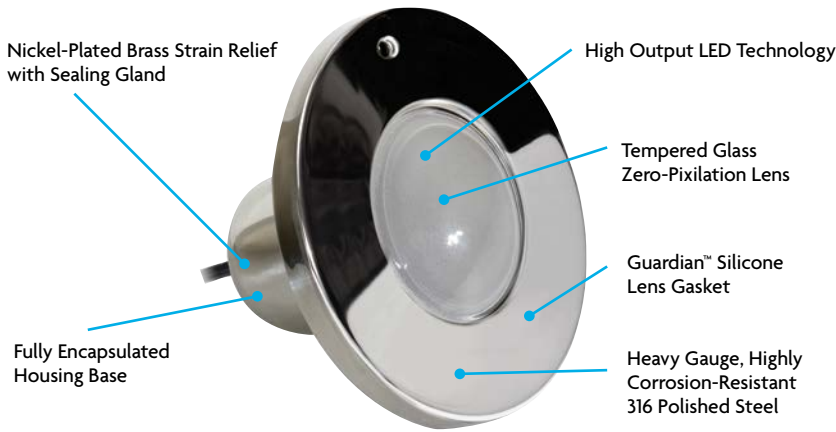
Hayward Astrolite Incandescent Pool Light Fixtures

Product	Voltage	Wattage	Cord Length
54030	120	500	50'
220869	120	500	100'
S/O	120	500	150'



Pictures courtesy of J & J Electronics

PUREWHITE LED POOL LIGHT FIXTURES



PureWhite Advantages

- \$33 a year to operate
 - Uses less energy – up to 90%*
 - Lasts up to 50,000 hours – 20x longer life**
 - Enhances pool water appearance – looks clearer and cleaner
 - Enhances dark finish pools - commercial and residential
 - Installs easily – compact fixture depth allows bottom catch visibility from pool deck
- *Hi Series compared to incandescent lamps
**Compared to incandescent lamps

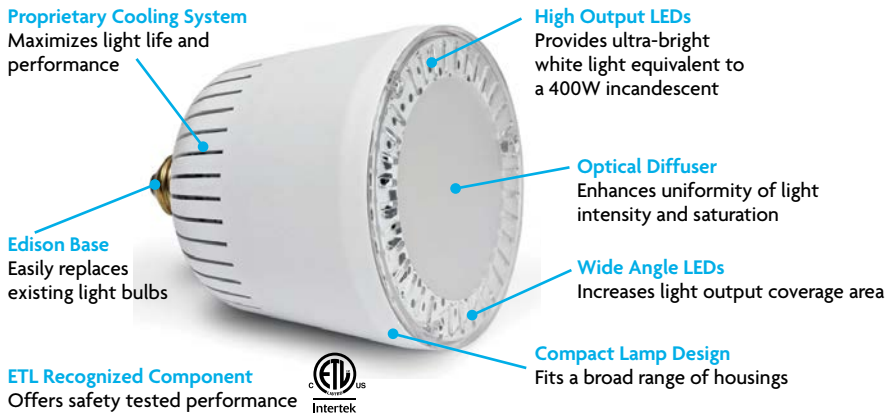
Usage Cost Comparison				
	PureWhite		Incandescent	
Watts	Li Series: 33	Hi Series: 58	300	500
Life Span (hrs)	50,000	50,000	2,500	2,500
Life Span (yrs)*	11.42	11.42	.57	.57
Annual Energy Cost**	\$22	\$33	\$171	\$285
Annual Maint Cost***	\$0	\$0	\$219	\$219
Total Annual Usage Cost	\$22	\$33	\$390	\$504

Specifications				
Model	F1W	F2W	F5W	S1W
Lumens	2,400	3,900	4,500	500
Wattage	39W	58W	87W	13W
LED Color	6500K			
Equivalent	300W	500W	500W+	100W

*Based on 12 hours of usage per day, 365 days per year.
**Based on electricity cost of \$0.129 per KWh.
***Based on replacing bulb and gasket 1.75 times at \$50 per replacement and one hour of labor per replacement at \$75/hr.

Li Savings: \$368
Hi Savings: \$471

LED REPLACEMENT LAMPS



PureWhite 2 Advantages

- \$25 a year to operate
 - Energy efficient, 45 watts or less
 - Fully dimmable
 - Lasts up to 50,000 hours - 20x longer life*
 - Replaces existing light bulb – eliminates expense of replacing housing
 - Enhances pool water appearance -looks clearer and cleaner
 - Instant operating expense savings and break even within one year
- *Compared to incandescent lamps

ETL Recognized Component
Offers safety tested performance

Usage Cost Comparison				
	PureWhite 2		Incandescent	
Watts	45	300W	400W	500W
Life Span (hrs)	50,000	2,00	2,500	2,500
Life Span (yrs)*	11.42	.57	.57	.57
Annual Energy Cost**	\$25	\$170	\$226	\$283
Annual Maint Cost***	\$0	\$306	\$306	\$306
Total Annual Usage Cost	\$25	\$476	\$532	\$589
Annual Savings		\$450	\$507	\$563

Specifications		
	LPL-P2 (pool)	LPL-M1 (spa)
Dimensions		
Front Diameter	4.89" (124mm)	3.07" (78mm)
Depth*	5.45" (138mm)	2.41" (61mm)
Lumens (7500K)	2175	N/A
Power Consumption & S Series		
120VAC	41W (S-Series 41W)	13W (S-Series N/A)
14VAC	42W (S-Series 36W)	10W (S-Series N/A)

*Based on 12 hours of usage per day, 365 days per year. **Based on electricity cost of \$0.129 per KWh.
***Based on replacing bulb and gasket 1.75 times at \$50 per replacement and one hour of labor per replacement at \$75/hr.



For the Closest Location Visit LesliesPool.com/stores.htm

LADDER/SLIDE PARTS



621151



501951

Handrail Stabilizing Plug

621151 Carbon Fiber 136-A 1.90"

Safatron Anchor Socket Cover

501951 White 5.75" cap with 1.93" plug



28515



28509

Escutcheons

28515 Oval Escutcheon Chrome

28509 Escutcheon Cover Chrome



28500

Bumper/Caps

28500 Ladder Bumper 2-pack

28510 Ladder Cap 2-pack

More available

28510



Safatron 3 Step Ladder Refurbishing Kit

Contains 3 steps, 3 sets of hardware, 2 bumpers and 2 escutcheons
366882

Over 25,000 parts. If you need it, Leslie's has it!

POOL/SPA LIGHT PARTS



Light Lenses, Gaskets and Adapters

64500 American Products Gasket

54464 Light Lens Clear

64505 Small Light Gasket

611148 Light Lens Clear

64520 Hayward Light Gasket

54461 Light Lens Clear

64563 Swimquip Light Gasket

54482 Light Lens Clear

54540 Pool Light Wedge

54500 S/O Face Ring Adapters

American Products

SR SMITH LADDER PARTS



28525

Ladder Step

28525 SRS 20" Ladder Step



609170

28530

609296

Bronze Anchors

28530 3" Bronze Deck Anchor

609170 Anchor Wedge

609296 Bronze 4" Deck Anchor

MISCELLANEOUS PARTS



34233



34234

PVC Auto Fill

Used to maintain the water level of a pool, spa or pond automatically and unattended

34233 S/O PVC Auto Fill

Bronze Auto Fill

Used to maintain the water level of a pool, spa or pond automatically and unattended

34234 Bronze Auto Fill



Return Fitting HA

30225 SP1419E

30220 SP1419D

Universal Return

68077 1-1/2" Threaded



Debris Shield

- Reduces maintenance
 - Extends filter cycles
 - Capturing more debris than skimmer baskets alone
- 20732 5-pack



Vac Lock

Vac lock allows you to hook up your suction cleaner line and holds it in place. It also locks out the suction line when the cleaner is out of the pool. A must for safety in all pools.

- Locks pool suction-side port 58940

SKIMMER BASKETS



Pump Baskets

1. 36090 Hydramax/Hayward Super II/ Hayward RS
2. 36047 America Ultra-Flow
3. 36343 Pac Fab Challenger
4. 36440 Sta-Rite Dura-Glass Fine
5. 36437 Sta-Rite Maxiglass
- 36380 WhisperFlo
- Not Pictured
- 36095 Hayward Northstar
- Not Pictured
- 617000 Jandy Stealth Plus, Max HP
- Not Pictured

Many other sizes available



Skimmer Baskets

1. 34235 American Products Float Skimmer
2. 36530 A/P Cicolac top 8-7/15", bottom 7-1/2", ht. 7-3/4"
3. 36565 Baker Hydro top 7-13/14", bottom 5", ht. 6"
4. 36840 Swimquip & Swimrite top 8-5/16", bottom 5-3/4", ht. 5-3/16"
5. 36795 Pac Fab top 7-1/4", bottom 5-3/8", ht. 4-5/8"
6. 36500 American Products top 6-1/4", bottom 4", ht. 3-7/8"
7. 36680 Hayward SP1082 top 7", bottom 6-1/2", ht. 5"

Many other sizes available



Skimmer Basket Handle

- Allows you to remove the skimmer basket without getting your hands wet, avoiding the critters, even the ones you can't see
- Handle sits above the waterline, and above the creepies in your basket

Debris Shield

- Reduces maintenance
 - Extends filter cycles
 - Capturing more debris than skimmer baskets alone
- 20732 5-pack

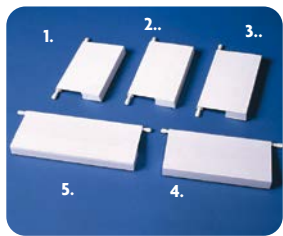


FloSkim Basket

- Tower vent design
 - Allows water to circulate through skimmer when full of debris
 - Helps prevent damage to pump and motor
 - Easily removable
 - Avoid putting your hands in the debris
- 36052 Fits Sta-Rite U3 & Hayward 1070 skimmer
36054 Fits Hayward 1080 skimmer
36053 Fits Baker Hydro skimmer

Over 25,000 Parts Available!

WEIR FLAPS

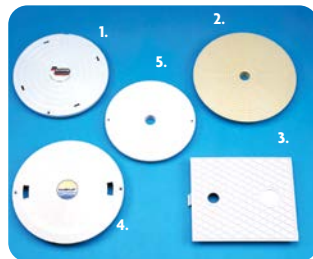


Weir Flaps

- Keeps leaves and debris trapped in the skimmer
 - Maximizes skimming
1. 34909 8" American Products
 2. 34965 8-3/8" Swimquip
 3. 34948 8-3/8" Hayward SP1070
 4. 34924 8 3/8" Universal

Call for Details

REPLACEMENT COVERS



Skimmer Covers

- This is just a sample of the many covers we offer
1. 34410 American Products 9" Lid
 2. 34420 Baker Hydro Lid
 - 34430 Hayward Round Lid SP 1096B Not Pictured
 - 34435 Hayward Round Lid SP 1084R Not Pictured
 3. 34440 Hayward Square Lid SP 1082B
 4. 34450 Jacuzzi and Swimquip 10" Lid
 5. 34460 Pac Fab Lid



Skimmer Lid w/ Thermometer

- Eliminate replacement, theft, and breakage
 - Hermetically sealed face is built for strength and weather resistance
- 34472 S/O Swimquip White
620965 S/O Swimquip Almond
620966 S/O Swimquip Grey
34422 S/O Baker Hydro White
34442 S/O Hayward 10" X 10" White
620961 S/O Pentair Almond
620962 S/O Pentair Grey
34418 S/O Pentair White



Skimmer Weir Conversion

Broken or missing weir blades?

- Convert your U-3 type skimmer into a circular weir
- 621147 U-3 Type Circular Weir

SKIMMERS



Hayward SkimMaster® Series Skimmers

- Adjustable deck collar and access cover
 - Large debris basket and multiple plumbing connections for easier connections
 - Automatic bypass for low water conditions
- S/O SkimMaster



Hayward Auto-Skim™ Series Skimmers

- Optional float/bypass valve
 - Stackable notched extension collar allows infinite vertical adjustment
- S/O Auto-Skim



Dura Seal EPOXY

- Cures to a bright tile-like finish
 - Apply on bare, sandblasted or old epoxy
 - Virtually maintenance-free
 - Use on old plaster instead of replastering
 - Use on fiberglass (with Rough Primer)
 - Primer required on bare surfaces
 - **COVERAGE 125-150 SQ. FT. PER GALLON**
- 26640 1 gal, White
 26641 1 gal, Ice Blue
 26642 1 gal, Blue Heaven
 26643 S/O 1 gal, Black
 26790 S/O 4 gal, White
 26791 S/O 4 gal, Ice Blue
 26792 S/O 4 gal, Blue Heaven
 26793 S/O 4 gal, Black



Aqua Seal ACRYLIC

- Water-based formula
 - Applies to damp surfaces
 - Virtually no solvent odor
 - Minimum two coats on initial application
 - **COVERAGE 250-275 SQ. FT. PER GALLON**
- 26650 1 gal, White
 26651 1 gal, Ice Blue
 26652 1 gal, Blue Heaven
 26653 1 gal, Black
 26655 5 gal, White
 26656 5 gal, Ice Blue
 26657 5 gal, Blue Heaven
 26658 5 gal, Black



SR Pro 7 RUBBER

- Coating over rubber-based finishes
 - For smooth, bare cement surfaces
 - Attractive satin finish
 - Minimum two coats on initial application
 - **COVERAGE 250-275 SQ. FT. PER GAL**
- 26700 1 gal, White
 26701 1 gal, Ice Blue
 26702 1 gal, Blue Heaven
 26703 1 gal, Black
 26705 5 gal, White
 26706 5 gal, Ice Blue
 26707 5 gal, Blue Heaven
 26708 5 gal, Black



Our goal is to provide the latest technology and innovations while maintaining our commitment to the health and well-being of our environment.

EPOXY PRIMER



Prime It BARE SURFACE

- Seals smooth, bare concrete or plaster
 - Compatible with dry surfaces
 - For bare/unpainted surfaces only
- 26648 1 gal



Rough Prime ROUGH SURFACE

- Smooths rough concrete or plaster
- Recommended for sandblasted surfaces
- Excellent adhesion to fiberglass
- Heavy viscosity acts as a "filler" for a more uniform profile

26649 1 gal
 26795 4 gal



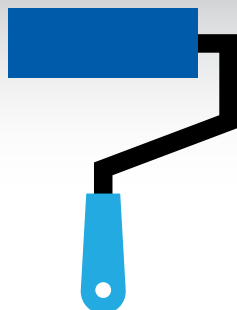
PATIO & DECK PAINT



Patio Perfect PATIO

- Slip-resistance adds protection
- Rolls on easily, covers unsightly repairs
- For sprayed or patterned concrete
- Two coats required on initial application
- **COVERAGE 100-125 SQ. FT., DEPENDING ON SURFACE**

26550 1 gal, Prairie Sand
 26552 1 gal, Desert Tan
 26553 1 gal, Stone Creek
 26554 1 gal, Honey Mist



LESLIE'S TECH TIP *How to apply paint...*

- Prepare surface with our one step preparation product, Prep Wise
- Follow the application instructions provided on the label
- Observe minimum and maximum application temperatures outlined on the label
- Do not apply during a hot midday sun
- Use a 9" roller with a 7/16" nap and solvent-resistant core
- Use quality handles and rollers
- Use a basic rolling technique
- Start with the deep-end walls, and work toward the shallow end
- Although rolling is recommended, contact Smart Seal for application tips if a spray method is being considered
- Prior to filling your pool, ALWAYS consult the curing schedule outlined on the label
- If using Dura Seal, sprinkle some white silica sand on pool steps for slip-proofing

Click here to [Connect with your Account Manager](#)

PREP & CONVERSION COATING



**Prep Wise CLEAN & ETCH
1-Step Surface Preparation**

- Cleaning your pool or deck is mandatory before applying any finish coating
 - Cleans, etches and prepares surfaces for your new smart seal surface
 - Simply mix Prep Wise with water to clean, then rinse
 - Cleans pool filters too!
- 26697



**Smart Step CONVERSION
Converts Rubber Base to Epoxy**

- Clean surface then roll on smart step
 - Follow with one coat of dura seal
- Simply clean your pool, roll on Smart Step, then follow with one coat of Dura Seal. Your rubber-to-epoxy finish will be beautiful and make your pool last for many years.
- **COVERAGE 225-250 SQ. FT.,**
26646

**Beautifully Restore Your
Pool & Patio**

A Simple, Do-It-Yourself Process
With Professional Results



PATCH & CLEANERS



Patch-It

- Waterproof hydraulic cement
 - Patch-It without draining the pool
- 26752 3 lb
26760 10 lb
26761 S/O 50 lb



Epoxy Putty A+B White

- Easy-to-use, two part putty you simply mix and mold like clay
 - Forms into any shape
 - Fill cracks or holes in decks and broken tiles
 - Hardens in one hr. cures in 12 hrs.
 - Cures under water
- 26280 15.5 oz White

JOINT SEALANT



Deck-O-Seal

- Self-leveling joint sealant, non staining
 - Goes on easily with applicator
 - 96 ounces cover an area 1/2" wide and 231' long
 - Available in Gray, Tan or White
- 26220 Gray 96 oz Kit
26225 Tan 96 oz Kit
26230 White 96 oz Kit

**Deck-O-Seal
One-Step Sealant**

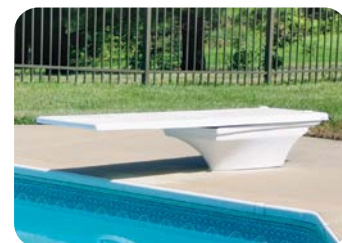
- Stays flexible and won't become brittle or crack due to UV exposure
 - Will not cause discoloration
 - Ideal for use above the waterline
- 26260 Gray
26265 Tan
26270 White

RESURFACE KIT



**Diving Board
Resurfacing Kit**

- Slip-resistant
 - Apply to fiberglass, aluminum or wood
 - Kit contains: 1 qt of Smart Seal, 1 pt of Smart Seal Catalyst, 1 pt of Epoxy Solvent, 1 Roller Cover, and Complete Instructions
 - Suitable for 8' diving boards
- 26762 White
26763 Blue Heaven



Jacuzzi® JPV100

- 8.5" wide vacuum head
 - Versatile use
 - Up to 2.5 hours run time
 - 2-year warranty
 - Includes: Vacuum head, filter bag, power head, battery chamber, pool pole adapter and micro filter bags
- 58200 JPV100



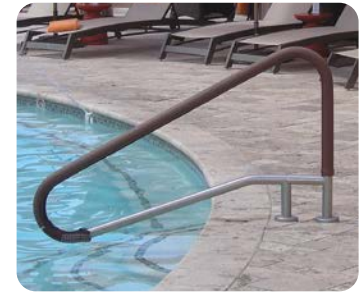
Jacuzzi® JPV200

- Multi-layer filter capacity
 - Powerful motor
 - Debris chamber
 - 7.5" wide vacuum head
 - 2-year warranty
 - Includes: Vacuum head, nose cap, filter bag, cleaner body, motor box and charger
- 58201 JPV200



Jacuzzi® JPV300

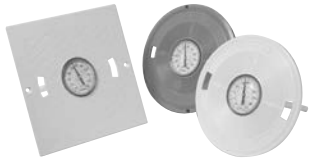
- 10.5" wide vacuum head
 - Advanced motor
 - Multi-layered filter cone
 - High volume debris chamber
 - 2-year warranty
 - Includes: Vacuum head, debris chamber, filter assembly, cleaner body, pool pole adapter and charger
- 58202 JPV300



Rail Covers

- 28460 - Rail Style Sure Grip 4 ft Blue
- 28461 - Rail Style Sure Grip 4 ft Teal
- 28462 - Rail Style Sure Grip 4 ft Tan
- 28463 - Rail Style Sure Grip 6 ft Blue
- 28464 - Rail Style Sure Grip 6 ft Teal
- 28465 - Rail Style Sure Grip 6 ft Tan
- 28466 - Rail Style Sure Grip 8 ft Blue
- 28467 - Rail Style Sure Grip 8 ft Teal
- 28469 - Rail Style Sure Grip 10 ft Blue
- 28470 - Rail Style Sure Grip 10 ft Tan

REPLACEMENT LIDS



Skimmer Lid w/Thermometer

- Eliminate replacement, theft, and breakage
 - Hermetically sealed face is built for strength and weather resistance
- 34418 S/O Fits American 9-3/16" round
 34472 S/O Fits Hayward, SwimQuip & Jacuzzi 9-7/8" round
 34442 S/O Fits Hayward 10" square

SPA BLOWERS



Spa Blowers

- UL-listed terminal boards & motors offer sealed bearings and quiet operation within OSHA requirements
- 84426 S/O 1 hp 1 phase
 84434 S/O 2-1/2 hp 3 phase
 84428 S/O 2-1/2 hp 1 phase
 84429 S/O 4-1/2 hp 3 phase

MECHANICAL TIMER



Timer Switch

- Run your spa blower at a preset time limit
 - Can be installed in a standard 2" deep vertically installed junction box in place of a regular single-pole light switch
- 84180 S/O 15-min. Timer

THERMOMETER



EZ Combo

- 2-in-1 for pool and spa
 - Floats with snap-on cap
- 20808

SHUT-OFF



Emergency Shut-Off System w/Alarm

- Applicable for new and existing installation
 - Simple resort functionally
- 600858 S/O

SIGNS



Emergency Shut Off

82783 12" x 9"

Spa Capacity

82787 18" x 12"

More signs available. See page 80-81

V.G.B. COVERS



34028



SDX High-Flow Cover

34028 - S/O White

More covers available. See page 84

SPA LED LIGHT



pureWhite Led Pool Lights

- \$33 a year to operate
- Uses less energy – up to 90%*
- Lasts up to 50,000 hours – 20x longer life**
- Enhances pool water appearance – looks clearer and cleaner commercial and residential
- Installs easily

SPA CHEMICALS



Spa Anti-Foam

- Concentrated, safe and effective
- 48072 1 qt

Spa Ultra Bright Clarifier

- Water clarifier
- 49169 1 qt



Spa Perfect

- Natural enzyme formula eliminates body oils, sweat and other organics that are problematic in spas
 - Helps keep filter clean
 - Eliminates "bath tub" ring
- 48306 1 lt
48309 S/O 5 gal commercial



Chlor Brite®

- Fast-dissolving chlorine concentrate does not leave a residue
 - Ideal for spas
 - pH-Neutral
- 48173 2 lb
12055 8 lb
12061 25 lb
12064 40 lb



Fresh 'N Clear

- Non-chlorine shock
 - Fast dissolving
 - Prevents algae
 - Eliminates odors
- 14540 1 lb
14546 25 lb
14547 40 lb

NATURAL CHEMISTRY



Trade Grade Power Blend

- New, Exclusive Leslie's formula
- Combination of the following:
 - Triple Strength Enzyme Blend
 - Phosphate Removing

12308 1 gal
12309 5 gal



Trade Grade Pool Clarifier

- Replaces Clear Commercial AF and Clear & Perfect Commercial
- Choice of underlying chemical:
 - Chitosan based - Clear

12314 1 gal



Trade Grade Phosphate Remover

- Replaces PHOSFree Commercial AF
- Strongest, most effective phosphate remover on the market, one ounce will remove 12,000 ppb.

12321 1 gal

SPA BROMINE TABS



Spa Bromine

- Fast-dissolving chlorine concentrate does not leave a residue
 - Creates more comfortable water with no chlorine smell
- 14404 1.5 lb
14405 4 lb

WATER ADJUSTERS



Alkalinity Up

- Raise the total alkalinity
 - Balanced spa water is more comfortable and easier to maintain
 - Stabilize pH
- 48051 2 lb
14060 5 lb

WATER ADJUSTERS



Spa pH Up

- Raises pH and total alkalinity
 - Pre-mixed – just add to spa
 - Compatible with all sanitizer
- 14136 1 qt

We Carry a Full Line of Spa Products, Supplies and Water Treatment Solutions



For the Closest Location Visit LesliesPool.com/stores.htm

EVERY SUPERHERO NEEDS A RELIABLE SIDEKICK! ...OR TWO



Chlorine is the undisputed swimming pool superhero. **But, even a superhero can use a little help.**

Sanitizers are primarily designed to kill bacteria and algae, but other conditions in the water can increase the demand on sanitizer. In partnership with our friends from Natural Chemistry we have some products to help you enhance your chlorine-based program.

ENZYMES - THE SUPER SIDEKICK

Enzymes break down non-living waste (like sunscreen, hair products, body oils, pollen and more) that is typically oxidized by higher levels of chlorine or a non-chlorine oxidizer. This makes it easier to maintain the proper 1-4ppm residual.

TIP#1

Add an **enzyme-based** product to reduce demands on chlorine



Perfect Weekly®

A weekly dose of Perfect Weekly will remove chlorine-taxing non-living waste in the water and on the filter, remove phosphate and leave you with crystal clear water!



Clear Aid®

With clarifying action along with powerful enzymes, Clear Aid will clean up pools in as little as 24 hours!

TIP#2

If you're using tabs, liquid chlorine or cal-hypo, add **stablizer** to extend its life



HELP MAXIMIZE SANITIZER PERFORMANCE WITH THESE SUPERHERO SIDEKICKS FROM LESLIE'S.

Instant Pool Water Conditioner®

Conditioner (stablizer) protects chlorine from being broken down by the sun's UV rays. It can help chlorine last up to 6 times longer!



© 2021 NC Brands L.P. All rights reserved. NATURAL CHEMISTRY, the NATURAL CHEMISTRY logo, are trademarks of NC Brands L.P.



LIFEGUARD CHAIRS/PLATFORMS



Mendota Lifeguard Chairs 902198

- Made of recycled high density polyethylene material with colorants and UV inhibitors
- Does not absorb moisture, will not rot, splinter or crack
- Portable (with optional wheel kit)
- Resistant to corrosive substances, oil, insects, fungi, salt spray, rust and other environmental stresses
- Optional Ballast System provides stability
- Chairs have umbrella holders



Lifeguard Chair

S/O
31 7/8"L x 30 3/4"W x 64 3/16"H
with a 36" high seat

Lifeguard Chair 45023

S/O
35 1/16"L x 31"W x 76 1/8"H
with a 48" high seat



Lifeguard Chair with side step

958790 56 7/8"L x 24"W x 88 1/16"H
with a 60" high seat

Accessories:

902199 Wheel kit



Lifeguard Umbrella 75382

(Also available in red 75381)

- Fits most lifeguard chairs
- Includes valance and extension pole
- Includes anodized silver aluminum pole and spring steel ribs.
- Made of durable and weather resistant solefin material
- Measures 6.5 ft wide by 92 in high

Don't Be Caught Without Your State's Proper Signs!

Most states require general safety signs and, if applicable, state specific signs.

Arizona

24731 AZ Spa Rules 18" x 24"
83851 AZ No Diving 18" x 24"
83852 AZ Pool Rules 18" x 24"

California

24746 CA 2012 Regulation Sign Kit
24747 CA Gate & Diarrhea 12" x 18"
24748 CA Keep Closed 5" x 18"
24749 CA Diarrhea Sign

Florida

700166 FL Pool Rules 24" x 24"
82802 FL Spa Rules 24" x 36"

Georgia

82803 GA No Lifeguard 24" x 36"
82792 GA Pool Risk 24" x 36" (part 2)
82793 GA Spa Risk 24" x 36"

Indiana

83836 IN No Lifeguard 24" x 24"
82830 IN Pool Rules 24" x 24"

New Jersey

82774 NJ Spa Rules 18" x 24"
82775 NJ Bathers Rules 18" x 24"

Nevada

82745 NV Spa Rules 24" x 36"
82746 NV Facilities w/o spas 24" x 36"
82739 NV Entrance Sign 20" x 27"
82740 NV Pool 8-way Safety Sign 40" x 48"
82741 NV Spa 8-way Safety Sign 40" x 48"

New York

82771 NY Pool Rules 24" x 36"
82776 NY Pool Capacity/Hours 18" x 24"

North Carolina

82798 NC Pool Rules 24" x 36"

South Carolina

82794 SC No Lifeguard 24" x 36"
82795 SC Spa Rules 18" x 24"
82801 SC Pool Rules 24" x 36"

Texas

82767 TX No Diving 12" x 18"
387879 TX Spa Rules 18" x 24"

POOL SAFETY SIGNS



International No Diving
82781 18" x 12"



Emergency Shut Off
82783 12" x 9"



Tenants Only
82785 18" x 12"



No Lifeguard On Duty
24740 24" x 18"



Please Shower
83842 18" x 12"



No Food or Beverage
83843 12" x 18"



Pool Capacity
24745 18" x 12"



Spa Capacity
82787 18" x 12"



Pool Closed
82788 18" x 12"



No Running
82784 18" x 12"



Emergency Phone Numbers
82782 18" x 12"



Keep Gate Closed
82786 18" x 12"



8-Way Sign

Includes: Spa Caution, Artificial Respiration, No Diving, No Lifeguard on Duty, Pool & Spa Capacity and Pool & Spa Hours and Rules.
85841 40-1/2" x 48"



No Glassware
82780 9" x 12"

OTHER SIGNS & STATES AVAILABLE

Call Us for Custom Signs & Signs Not Listed
Call Us for "FREE" Site Inspection!
(in most areas)



Emergency 911
24734 12" x 18"



CPR-English
24750 18" x 24"



Shallow Water - No Diving
24736 18" x 24"



Caution No Diving
24727 12" x 18"



Caution Spa Users
24728 18" x 24"



Danger Chemical Storage
24726 18" x 24"



Phone Location
24738 12" x 18"

EN ESPAÑOL SIGNS



Regulations-Spanish
83847 18" x 24"



Pool Rules
24730 18" x 24"



Regulations For Public Pools
83844 18" x 24"



Watch Children
83841 12" x 18"



CPR-Spanish
83848 Resuscitation

Did you know?



SAFETY & GENERAL SIGNS

Most health departments require some type of safety signage and depth markers around the pool. The signs shown represent the most common requests by customers and are available for your specific state. We can accommodate any request you have.



AVAILABLE IN SPANISH



First Aid Kit

- Kit includes: knuckle bandages, non-aspirin acetaminophen, 3/4" x 3" plastic strips, PVP wipes, bee sting solution, 24" x 72" sterile gauze roll compress, adhesive tape strips, eye pads, scissors, first aid cream, 5" x 9" ABD pad, tape, butterfly closure, triangular bandages, splinter forceps and a Kwik-Kold™ kit 12024



TRC Recreation USCG Approved Vests

- The most comfortable U.S. Coast Guard Approved Vest on the market, used at most major water theme parks and resorts
 - Carried in Toddler, Child, Youth and Adult sizes
 - Please call for sizing
- S/O



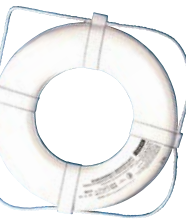
Rescue Can

- Features 6 hand grips to help calm the swimmer in trouble
 - Tough, shark-skin surface holds a film of water that lessens drag and permits it to glide on the water
- 82748 27-1/2" x 8-1/2"



Rescue Tube

- Tough Ensolite™ foam is coated with heavy vinyl
 - 6' poly line and 2" shoulder harness
- 400388 37" Rescue Tube
83751 52" Rescue Tube



Life Ring

- Available in 20" and 24"
 - U.S. Coast Guard approved
- 24415 20" Life Ring
24418 24" Life Ring



Life Ring Box

- Keeps your Life Ring in good condition year-round with this easy-to-open Life Ring Cabinet
 - Features unbreakable polycarbonate window and stainless-steel hinges and fittings
- 82749 with 24" ring
82750 without ring



Life Hook

- Built to last & a must for every pool
- 83665 Life Hook
20975 Connecting Wingnut & Bolt
83105 Set of 2 Pole Hangers

Attach to a non-telescoping pole only, does not include pole.



Non-Conductive/ Non-Telescoping Poles

- Constructed of rigid fiberglass with UV protective coating to prevent splintering
 - Use with life hook
 - Freight Charges May Apply
- 20793 12'
20794 16'



Rope Float Set

- 24635 3/8" set 20'
- 24695 3" x 5" float

Bulk Rope Per Foot

- 24451 3/4"
- 24441 1/2"

Rope Hooks

- 24680 1/2"
- 24682 3/4"



Rescue Tube

- Vinyl dipped head blocks provide maximum support and minimum head movement.
- 82809 Head Immobilizer



Spine Board

- Made of roto-molded HDPE (high-density polyethylene) over a non-toxic foam which prevents slippage and allows for easier cleaning and disinfecting
 - Features 14 oversized, raised hand holds for easier grip and safe transportation
 - Straps sold separately
- 82810 Spine Board
82759 Spine Board Straps



Lifeguard Apparel

- 510010 Bikini S, M, L, XL, XXL
- 510000 DBack Red 28 - 42

DriDek Floor Tiles

- Keep your facility floor safe and dry
- Control the growth of mildew, mold and bacteria
- Each tile is permanently bonded with a fungicide called oxy-B1

- Can be trimmed to any shape
- Specify color – Almond, Yellow, Red, Black, Burgundy, Navy Blue, Pool Blue, Green, Hunter Green, Teal and Gray

- 86280 Sheet 3' x 4'
- 86290 Roll 3' x 12'



Depth Marker

- Available in ceramic, glass overlay or vinyl stick-ons
- Your choice of “feet”, “meters” or “inches”
- Glass overlays are for water-line installation
- Surfaces can be smooth or skid-resistant in the ceramic for in pool or on deck application
- Most metric applications require two tiles, and double digit english markers will also require two tiles. Call and let us help you with your requirements
- Many other sizes and styles of depth markers are available

Let us know what you need and we will get it for you!



Depth Markers

DEPTH	GLASS 6" x 6"	VINYL* 6" x 6"	CERAMIC	
			SMOOTH	SKID RES.*
0 Ft	85150	85212	—	85333
1 1/2 Ft	85153	85215	85277	85336
1 Ft	85152	85214	85276	85335
1 1/2 Ft	85153	85215	85277	85336
2 Ft	85154	85216	85278	85337
2 1/2 Ft	85155	85217	85279	85338
3 Ft	85156	85218	85280	85339
3 1/2 Ft	85157	85219	85281	85340
4 Ft	85158	85220	85282	85341
4 1/2 Ft	85159	85221	85283	85342
5 Ft	85160	85222	85284	85343
6 Ft	85162	85224	85286	85345
6 1/2 Ft	85163	85225	85287	85346
7 Ft	85164	85226	85288	85347
7 1/2 Ft	85165	85227	85289	85348
8 Ft	85166	85228	85290	85349
8 1/2 Ft	85167	85229	85291	85350
9 Ft	85168	85230	85292	85351
9 1/2 Ft	85169	85231	—	—
No Diving	85208	85271	85332	85376
No Div Symb	85209	85270	85330	85375
Install Kit	85211	85273	—	—
Ft Deep	85210	85272	378844	85377
0 M	401891	902749	902516	902470
1 M	377683	404380	378208	901066
M	G613510	900427	903489	85266
2 M	377517	901908	85322	901065
3 M	401892	902012	—	361003
4 M	383889	378598	85324	905416
5 M	378806	902159	85325	901063
6 M	401893	378465	85326	401895
7 M	401894	377682	—	379176
8 M	85204	378695	383403	368610
9 M	85205	902013	901448	901064
FT	85206	85268	85328	85373
IN	85207	85269	85325	85374
.09	G612609	900428	C612608	C622608
1.2	G612612	901737	903488	85382
1.5	G612615	901738	902480	85383
1.8	G612618	V622618	C612619	C622619

*Can be installed on the deck, all other markers are for the Waterline



SDX2 High-Flow Cover

- SDX2 is high flow outlet suitable for use as a wall fitting or as a floor fitting when debris removal is not a concern
 - Available for concrete, vinyl and fiberglass pools
 - Boasts a flow rating of 188 GPM on the floor and 154 GPM on the wall
- 34028 White
Color options available



Drain Safe DS360M

- Retrofits most 5 1/2" – 8" sumps
 - Works on dual drains as well as single-suction outlets
 - 27 sq inch open surface area
- 32841 DS360M White



Hayward Square Covers

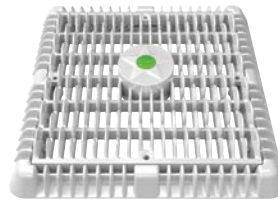
- | | |
|-----------------------|-----------------------|
| LOW FLOW | HIGH FLOW |
| 32300 9" x 9" White | 32306 9" x 9" White |
| 32301 12" x 12" White | 32307 12" x 12" White |
| 32302 18" x 18" White | 32308 18" x 18" White |

Reminder - Drain covers expire and must be current.
Need help understanding code compliance?
Let the Professionals at Leslie's help.



AquaStar Square Anti-Entrapment Drain Covers w/ Adapter Frames

- 32780 16" Sq Anti-Entrapment w/Mud Frame - White
32781 16" Sq Anti-Entrapment w/Mud Frame - Black
32782 16" Sq Anti-Entrapment w/Mud Frame - Lite Grey
32784 16" Sq Anti-Entrapment w/Mud Frame - Dark Grey
32787 16" Sq Anti-Entrapment w/Mud Frame - Tan



AquaStar Square Anti-Entrapment Drain Covers w/ Adapter Frames

- VGB Compliant 2008 ANSI/APSP 16-2011
32011 9" WAVE Anti-Entrapment Cover
32012 12" WAVE Anti-Entrapment Cover
32013 18" WAVE Anti-Entrapment Cover
32014 24" WAVE Anti-Entrapment Cover



Eureka Anti-Entrapment Drain Cover

- Stainless steel, unblockable drain covers enhance the safety main drains and sumps in swimming pools & feature gradually sloped sides & a solid top surface.
- 32991 Eureka AE 26"x26" 18"x18" Drain
32992 Eureka AE 32"x32" 24"x24" Drain
32993 Eureka AE 44"x44" 36"x36" Drain



AquaStar 4" Round Hockey Puck Sumpless Suction Outlet Cover

- For single or multiple drain use in gunite pools and spas
 - Single - sumpless
 - Floor/wall: 56 GPM at 3.5 fps
 - Floor/wall: 24.4 GPM at 1.5 fps
 - Floor/wall: 16.2 GPM at 1.0 fps
 - 5.2 square inch opening
- S/O 4" Round Cover - Blue

Other Sizes and Colors Available



AquaStar 6" Round Hockey Puck Sumpless Suction Outlet Cover

- For single or multiple drain use in gunite, steel, fiberglass and tile pools and spas
 - Single - sumpless
 - Floor/wall (2" pipe): 224 GPM at 6.3 fps
 - Floor (1 1/2" pipe): 177 GPM at 5.9 fps
 - Wall (1 1/2" pipe): 122 GPM at 3.4 fps
 - Floor/wall: 53.3 GPM at 1.5 fps
 - Floor/wall: 35.5 GPM at 1.0 fps
 - 10.4 square inch opening
- S/O 6" Round Cover - Blue

Other Sizes and Colors Available



AquaStar 8" Round MoFlow™ Suction Outlet Cover And Mud Frame

- For single or multiple drain use 3" sump depth
 - Single - sumpless
 - Floor: 166 GPM at 3.2 fps
 - Wall: 113 GPM at 2.2 fps
 - Floor/wall: 77.8 GPM at 1.5 fps
 - Floor/wall: 51.9 GPM at 1.0 fps
 - 16.6 square inch opening
- S/O 8" Round Cover

Other Sizes and Colors Available



AquaStar 10" Round Star Sumpless Suction Outlet Cover, Universal Adapter Kit & Mud Frame

- For single or multiple drain use
 - Single - sumpless
 - For retrofit or new construction!
 - Available with mud frame for new construction or with universal adapter frame to retrofit all existing frames/sumps up to 10" round
 - Can be used with Brass Anchor Kit P/N BIK4 for odd-sized or non-structured frames/sump
- S/O 10" Round Cover

Other Sizes and Colors Available



Vacless SVRS 10-ADJ

- Attaches to swimming pool, wading pool, spa & hot tub pumps ranging between 0.5 hp & 10 hp; in place of any suction side drain plug
 - Upon entrapment, the valve will open, allowing ambient air to rapidly fill the pump suction side
- 83875



Vac Alert Valve

- Reacts in milliseconds
 - Senses sudden increases in vacuum, triggers valve pistons to lock allowing air to enter the system releasing vacuum on the main drain
 - Easily installed in new or existing pools or spas and requires no maintenance
- 15130



Emergency Shut-Off System

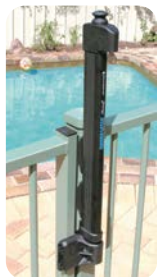
- Designed to retrofit public spas to meet current safety codes
 - Alarm to indicate shut-off has been pressed
 - Low voltage wiring to shut-off switch and jets switch
- 600858 Emergency Shut-Off System



Main Drain Test Mat

- Covers main drain to allow periodic testing of an SVRS device
 - Connects to the telescopic pole
- 32000 Main Drain Test Mat

SAFETY LATCHES



MagnaLatch

- A child-resistant gate latch that is designed to comply with strict international codes
- Includes the ability of the gate to automatically close from any position
- The release knob is located out of reach of toddlers
- Prices vary due to gate and latch type – call or visit store for quote

700165

Hinges

- Will suit all fence materials including steel, aluminum, wood and vinyl
 - 100% rust-free for life and UV stabilized
- 24310 Metal to Metal
24312 Wood to Wood



57SF AT90 S



SM AT90 S



7515



57SF AT90 W



SM AT90 W



7525

SureClose Kit Closer and Hinge - Aluminum

Designed for Pool and Child Safety gates, Mounting brackets – Aluminum, screw-on and flush mount, Closing speed adjustment, Dual Bearing Glide System™, two sealed bearings for superior performance, anodized high strength aluminum and tamper resistant with hidden hydraulics that don't leak, Emergency override slam will NOT damage closer

- ADA compliant
- Self-closing gates weighing up to 90 lbs
- Prevents gate slam noise and gate damage
- High corrosion resistance with
- Tamper-resistant hydraulics.

2 Year Warranty
S/O



MagnaLatch Side Pull with Lock

When installed correctly it meets Barrier Codes for swimming pools. Always confirm any safety requirements with the appropriate local safety authorities in your area, as regulations may vary from region to region. Solution for all fencing materials

- Ideal general-purpose, magnetic latch for gates and doors around homes and gardens
- Key-lockable security / Peace of mind
- Horizontal & vertical adjustment / Easy installation
- Strong molded polymer and stainless steel construction / No rusting, binding or staining
- Fixing points covered by dress caps / Sleek and stylish finish

Limited Lifetime Warranty
24305

The Virginia Graeme Baker Pool and Spa Safety Act

The purpose of the Virginia Graeme Baker Pool and Spa Safety Act is to increase the safety of swimming pools and spas.

Public Pool Requirements

Effective one year after the date of enactment, each public pool and spa must be equipped with anti-entrapment drain covers. Each public pool and spa with a single main drain (other than an unblockable drain) must also be equipped with a device or system designed to prevent entrapment, such as a safety vacuum release system. Public pools and spas are open to the public generally (whether for a fee or free of charge): open exclusively to members of an organization and their guests, residents of an apartment building; or operated by the federal government.

Compliance Date:
December 19, 2008

Entrapment Reduction Tip

Layers of protection are the best way to reduce the risk of bather entrapment. These layers start with a properly designed circulation/filtration system and include:

1. The first layer is approved drain covers or grates in good operating condition, securely attached so that it cannot be removed without a tool. An "approved drain cover" is one that is stamped with (A) ASME/ANSI A112.19.8M certification and (B) maximum gpm.
2. Dual drains are a second layer of protection to a properly operating single drain. The drains should have covers that are ASME/ANSI A112.19.8M certified.
3. The third layer is a Safety Vacuum Release System (SVRS). Electromechanical or mechanical device that detect an increase in suction from a blockage and, in response, either open a vent valve on the suction side of the pump or turn off the pump to prevent body suction-entrapment incidents. Make sure that the unit meets the ASME/ANSI A112.19.17-2002 testing standards.
4. Education is the fourth layer. All employees must understand the importance of preventing suction entrapment and health code compliance.



PAL 2 Portable Pool Lift

- 300 lb lifting capacity
- Completely portable – no fixtures and easy to move
- 240° Rotation ensures safe transfer
- Powered by a 24-volt rechargeable battery
- Lift Operator intelligent waterproof hand control
- ADA Compliant
- Secure-It Kit so it can be fixed to the deck

**Email Us
for Help
Finding the
Right Solution**

501552 S/O PAL 2 Portable Lift



Splash Lift

- 400 lb lifting capacity
- 359° rotation ensures a safe transfer
- Semi-portable – easily removable from anchor
- Powered by a rechargeable battery
- User-operable via waterproof hand control

- 501304 S/O Splash Lift
- 501305 S/O Splash Hi/Lo
- 501306 S/O Splash Extended Reach
- 501307 S/O Splash Spa Lift



S.R. SMITH ACCESSORIES



LiftLock2 Anchor and Cap
300-6600
502196



Splash Lift Battery
24 volt rechargeable battery for use with all SR Smith battery operated lifts
502224 Rechargeable battery

Battery Charger
501314
Pal Total Cover
501328
Splash Caddy
501330





aXs2 Pool Lift

The aXs2 is a low profile pool lift that is an ideal access solution for community and hospitality swimming pools. The aXs2 lift meets the Americans with Disabilities Act Access Guidelines (ADAAG 2010) and has a 300 lbs lifting capacity. The aXs2 lift installs into your pool deck via locking anchor. 360° rotation ensures a safe transfer area.

- 360° rotation for transfer safety and flexibility
- Compact design requires minimal deck space
- Third-party tested & verified ADA compliant
- Integrated armrests
- Sturdy and generous rotomolded seat
- LiftOperator® Intelligent Controller with 24V battery
- Full range of operation from handset and control box
- Powder-coated stainless steel and aluminum construction
- Specifications: 300 lbs lifting capacity
- Powered by a 24-volt rechargeable battery
- Powder coated stainless steel and aluminum
- Shipping Dimensions: For model 310-0000 (aXs2 w/ anchor) Box 1: 102 lbs 55" x 19" x 14" Box 2: 36 lbs 24" x 24" x 27"
- 369593 aXs2 Pool Lift
- Available in three colors - Gray Mist, Slate, Taupe



Multi Lift2 (ML2)

- 350 lbs lifting capacity
- Field reversible seat design with integrated armrest
- Flange mounting with easy retrofit into old multiLift/ML300 anchors
- Lift Operator Intelligent control system
- Available in three colors - Gray Mist, Slate, Taupe



New laws are in effect.
Contact us today for help.

- Virginia Graeme Baker Act
- CPO • ADA • Others

S.R. SMITH ACCESSORIES



Arm Rests 501316

SR Smith Lift Arm Rests

Optional, flip-up armrests for all SR Smith Lifts

501316 Arm Rests

aXs Seat Belt Assembly

501333

aXs Armrest Assembly

501334

Many More Accessories and Color Options Available

[Click here to Connect with your Account Manager](#)



Portable Motion Trek BP 300 Deluxe

- Certified ADA compliant
 - 300 lb lifting capacity
 - Six point contact with deck for maximum safety and stability
 - Fully seated counter weight case maximizes corrosion protection
 - Removable handle for safety and storage
- 903843



Motion Trek BP 400 Deluxe

- 400 lb lifting capacity
 - Self operated from the deck and the water
 - 90 lifts per battery charge (TI Motion)
 - Coated with Spectra Shield for maximum corrosion protection
 - Accommodates setback of 6" to 22" and water draft up to 12"
- 960515



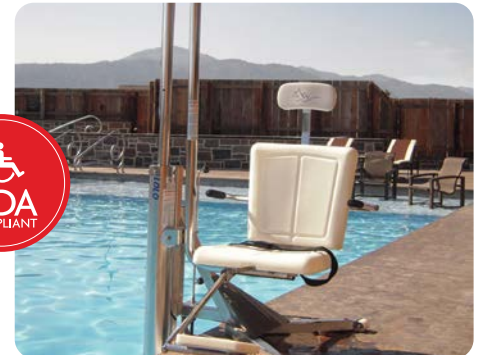
Traveler Lift

- 500 lb lifting capacity
 - 360° continuous powered rotation
 - Standard adjustable padded headrest
 - Easy to remove and store using Transport Cart
 - Only stainless steel gears and fully sealed bearings in the industry – less risk of corrosion and impervious to water siege
 - Safe operating system with rechargeable battery and charger
- S/O Traveler Pool Lift



Gallatin Water Power Lift

- 400 lb lifting capacity
 - Large diameter cylinder and piston designed specifically to provide greater and quicker lifting
 - Seat has excellent lumbar support and material will not disintegrate or crack over time
 - Durable Low Density Polyethylene footrest with non-slip surface for safety and comfort
 - Base stand has built in wheels for portability
 - Base stand adjustability up to 4" of deck slope
- S/O Gallatin Water Power Lift



Lolo WP400 Lift

- 400 lb lifting capacity
 - Passivated stainless steel - no dissimilar metals
 - Dual point anchor
 - Large diameter cylinder and piston designed specifically to provide greater and quicker lifting capacity
 - Adjustable padded headrest for full support
 - Large spacious seat designed for ease of transfer
- S/O Lolo WP400 Lift

SPECTRUM ACCESSORIES

Cover

502142
Surface Mount Anchor
S/O

Wood Deck Anchor

S/O
Transport Cart
S/O

Spine Board

- One-piece seamless construction; tapered design
 - Made of high-density polymer
 - 14 hand-holds and 10 strap slots, 350 lb
- 82754 Spine Board
82759 Spine Board Straps

Email Us for Help Finding the Right Solution





Ranger 2 Pool Lift

- ADA Compliant & UL Safety Certified
 - 350 lb (159 kg) weight capacity
 - Setback range of 14"-19"
 - Limited five (5) year warranty
 - Made in the USA
- MFG PART #S
 F-RNGR2 (White/Blue)
 F-RNGR2-T (White/Tan)
 F-RNGR2-G (White/Gray)
 F-RNGR2-W (White/Granite White)



Scout Excel Pool Lift

- ADA Compliant & UL Safety Certified
 - 375 lb (170 kg) weight capacity
 - Setback range of 7"-44"
 - 360° battery powered rotation
 - Limited five (5) year warranty
 - Made in the USA
- MFG PART #S
 F-SCTXL (White/Blue)
 F-SCTXL-T (White/Tan)
 F-SCTXL-G (White/Gray)
 F-SCTXL-W (White/Granite White)



Spa Lift Elite

- ADA Compliant & UL Safety Certified
- 300 lb (136 kg) weight capacity
- Maximum wall height clearance 68"
- Maximum wall width clearance 26"
- 360° battery powered rotation
- Limited five (5) year warranty
- Made in the USA



Mighty 600

- ADA Compliant & UL Safety Certified
- 600 lb (272 kg) weight capacity
- Setback range 10"-44"
- Water draft 12"
- 360° battery powered rotation
- Limited five (5) year warranty
- Made in the USA



Mighty Voyager Portable Lift

- ADA Compliant & UL Safety Certified
- 325 lb (147 kg) weight capacity
- Setback range up to 32"
- Water draft up to 12"
- 255° battery powered rotation
- Limited five (5) year warranty
- Made in the USA

AQUA CREEK ACCESSORIES

Lift Covers



Spa Lift Cover F-450SLECS
Ranger 2 Cover F-120PPC
Mighty Lift Cover F-MTLCB

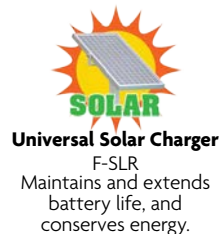
Color Options



*Branded color matching available with custom in-house powder coating!



Solar Power



Universal Solar Charger
 F-SLR
 Maintains and extends battery life, and conserves energy.

Misc. Accessories

- Cycle Attachment** F-019CA
- Chest Strap** F-423CS
- Headrest** F-422PLH-2

[Click here to Connect with your Account Manager](#)

AQUA CREEK POOL LIFTS (CONT.)



EZ Series Pool Lifts

The EZ Series is an affordable line of lifts that requires assistance from others to operate, but can provide access to many different applications including both in-ground and above-ground pools and spas up to 58" high, as well as boat docks! These lifts all have 360° of manual rotation, with two models that provide battery operated lifting and lowering power.

Options/Accessories:

MFG Item #	Product	Weight Capacity	Lifting Power?
F-EZPL2	EZ 2	400 lbs (181 kg)	✗
F-PEZPL2	Power EZ 2	400 lbs (181 kg)	✓
F-194PHBL-NA	Super Power EZ	300 lbs (181 kg)	✓

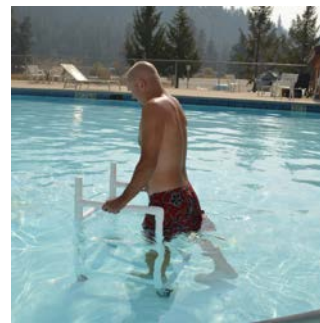
AQUA CREEK PVC ACCESS



Pool Access Chairs

Ideal swimming pools with ramps or zero depth entry, these access chairs are constructed with lightweight, medical grade PVC with an anti-tip design and non-rusting stainless steel components. Great for showers, locker rooms, or any aquatic environment.

- Medical grade PVC construction
- Stainless steel hardware
- EZ clean twin wheel casters
- Anti-tip design
- Swing-out armrest
- One year warranty
- Available in a variety of sizes
- Made in the USA



Aqua Walker

- 300 lb (136 kg) weight capacity
 - Adjustable height range 34"-48"
 - Tool free adjustments
 - Made in the USA
- MFG Part # F-605UW**



New laws are in effect.
Contact us today for help.
 • Virginia Graeme Baker Act
 • CPO • ADA • Others

Options/Accessories:

MFG Item #	Product	Weight Capacity	Between Arms
F-520SPM	Pool Access Chair w/ Mesh Seat	300 lbs	18"
F-520WSPM	Pool Access Chair w/ Mesh Seat	350 lbs	21"
F-520XWSPM	Pool Access Chair w/ Mesh Seat	400 lbs	24"



Americans with Disabilities Act

The final revisions to the Americans with Disabilities Act Accessibility Guidelines (ADAAG) pertaining to public swimming pools, wading pools and spas were signed in July of 2010. The new rules took effect March 15, 2011 and the **Compliance deadline was January 31, 2013.**

What is the Americans with Disabilities Act (ADA)?

The Americans with Disabilities Act (ADA) is a comprehensive civil rights law that prohibits discrimination on the basis of disability. The ADA requires that newly constructed and altered state and local government facilities, places of public accommodation, and commercial facilities are readily accessible to, and usable by, individuals with disabilities. The pool owner/manager should seek expert legal advice to ensure compliance.

How does it apply to swimming pools, wading pools and spas?

The facility must provide accessible means of entry/exit swimming pools. Such accessible means of entry include a pool lift or sloped entry, and either a transfer wall, transfer system, or pool stairs. Wading pools must provide a sloped entry, and spas must provide a pool lift, transfer wall, or transfer system. Wave action pools, leisure rivers, and sand bottom pools where user access is limited to one area shall not be required to provide more than one accessible means of entry, either a pool lift, sloped entry, or a transfer system.

Which facilities need to comply?

All municipal and school board pools, along with all hotels, motels, private water parks, competition facilities, etc. must comply with ADA guidelines. This includes pools operated by public park and recreation districts, hotels and motels, country clubs, high schools and universities, fitness and recreational sports clubs, water parks, hospitals and health care facilities. There are some exceptions. Apartments and private condos are considered residences and are exempt from complying with the ADA. These types of facilities fall under Fair Housing regulations. However, condos that rent out their units are considered hotels and, therefore, would be required to comply with ADA regulations.

How can a facility comply?

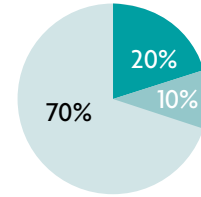
There are many alternatives, but the simplest way to comply is by installing a verified ADA Compliant lift Leslie's offers the only three independently verified ADA Compliant Lifts on the market.

How will these requirements be enforced?

Enforcement will vary from state to state, but does not change the fact that this is the law. Direct action against noncompliant facilities may be taken by local building or health officials enforcing state or health building codes that reference the new guidelines. Individuals may also file civil lawsuits against noncompliant facilities. Indirect enforcement can occur when a local government becomes ineligible for a federal grant unless facilities are in compliance.

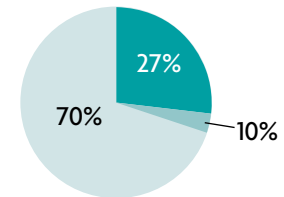


OUTDOOR POOL
Energy Loss Characteristics



- Evaporation
- Radiation from the sun
- Losses to ground and other

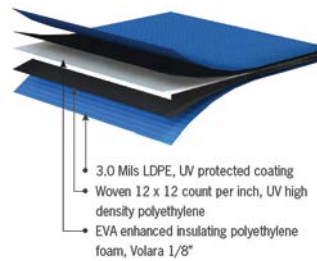
INDOOR POOL
Energy Loss Characteristics



- Evaporation
- Ventilation
- Other

Solar Pool Covers

- Easy to deploy and retrieve
- Covers are reversible
- Available in standard and custom sizes
- Advanced performance – 100% UV stabilized polyester thread
- Longer life – coated and UV stabilized on both sides for maximum protection
- Superior strength edging made with PVC coated tarpaulin
- Extruded black vinyl incorporated into edging for weight
- Strategically located water vent holes with weighted edge help covers hold in windy environments
- Panels come complete with heavy-duty, UV inhibited loop ties or attaching the panels to a storage reel system
- Loop ties made of 5/16" heavy-duty synthetic fiber open
- 304 stainless steel grommets for maximum corrosion resistance
- S/O Pool Blanket**
- Many sizes, shapes, and thickness readily available



Pool Covers Also:

- Conserve water by reducing the amount of make-up water needed by 30%-50%
- Reduce the pool's chemical consumption by 35%-60%
- Reduce cleaning time by keeping dirt and other debris out of the pool

SOLAR COVER STORAGE SYSTEMS



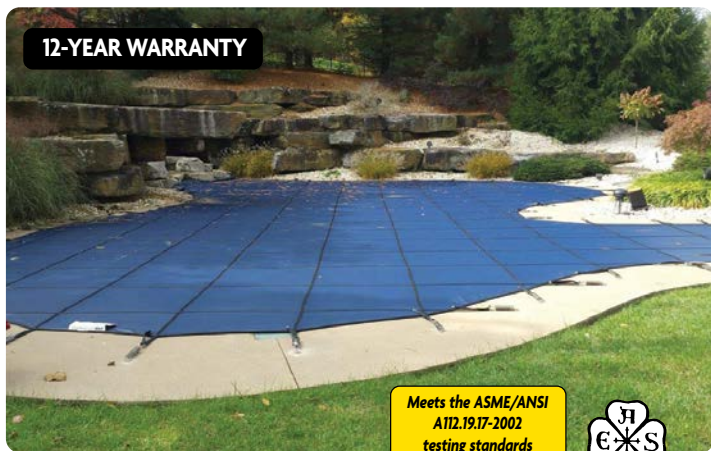
Bitterroot Cover Storage Systems

The Bitterroot cover storage systems ensure proper handling and storage of pool covers. Made of electropolished 304L stainless steel, they are portable, strong and designed to support the weight of wet covers.

- Easy to deploy and retrieve pool covers
- Employs stainless steel pillow block reel tube bearings
- Equipped with stainless steel crank assembly
- Utilizes 6" diameter, non-marring polyethylene wheels
- Equipped with two foot-operated brakes
- Accommodates a maximum cover width of 20'

- 959531 Bitterroot I, Single Tube Configuration**
Storage capacity = 164 lf. Or 3,280 sq. ft. with a total weight capacity of 643 lbs.
- 955391 Bitterroot III, Triple Tube Configuration**
Storage capacity = 492 lf. Or 9,840 sq. ft. with a total weight capacity of 1,562 lbs.
- 385604 Single Winder Cover**
- 385605 Double/Triple Winder Cover**

[Click here to Connect with your Account Manager](#)



Pro Mesh Safety Cover

- Light weight – nearly 50% lighter than standard solid covers. Makes for easier installation, removal and storage
- Super strong with improved tear and abrasion resistance. Great for commercial or residential use
- Offers 99% shading and significantly reduces the amount of sunlight entering the pool. Reduced sunlight means less algae growth
- Special weave allows water to drain through the cover while filtering large and small debris
- Comes standard with pull-tite commercial grade springs
- 12-Year pro-rated warranty
- Available in blue or green

S/O Call for estimate

We Offer Standard Covers and Custom Covers



Hyperlite Safety Cover

- 50% more tensile strength – significantly improved load capabilities
- 50% more puncture resistant – improved resistance to damage and puncturing from falling tree branches, deer hooves & stray animals
- 100% sunlight blockage – no spring time algae growth
- Patented klean-screen drain. Drains water from surface - filtering out dirt, leaves & debris
- PVC coated polyester fabric is 30% lighter than standard solid covers
- Comes standard with pull-tite commercial grade springs
- Meets or exceeds safety cover performance standards as set forth in ASTM F 1346-91
- 12-Year pro-rated warranty
- Available in green

S/O Call for estimate



Secur-A-Pool Commercial Safety Covers

- Available colors: green, blue, tan, and gray
- The new, improve & increased weave count contained within our polypropylene mesh fabric ensures added strength, sustainability & shading protection
- Patented mesh material blend, which eliminates any standing water hazards by allowing water & melting snow to drain through and minimizing damage risk, as well
- Automatically screens out dirt and debris for quick, easy and fuss-free spring time opening
- Secures pool from children, pets and stray animals
- Designed to be tamper-proof design by preventing entry without the need for an installation rod, which means it can be installed & removed within mere minutes
- Meets or exceeds all safety cover performance standards as set forth in ASTM F 1346-91
- 12-Year pro-rated warranty

S/O Call for estimate

SUMP & COVER PUMPS



Jacuzzi JSP450 Manual Submersible Pump – 450GPH

- Pumps up to 450 GPH (Gallons Per Hour)
- Plug-in and run manual operation
- Includes 25' power cord, 110V 40930



Jacuzzi JSP450A Automatic Submersible Pump – 450GPH

- Pumps up to 450 GPH (Gallons Per Hour)
- Automatic Switch included, set it and forget it
- Includes 25' power cord, 110V 40931

Jacuzzi JSP1800 Manual Submersible Pump – 1800GPH

- Up to 1,800 GPH (Gallons Per Hour)
- 3/4" NPT Discharge
- 1-1/4" adapter included 40932

SAFETY COVER PARTS



Replacement Parts

- 70542 Brass anchor
- 70543 Anchor collar
- 70545 Install rod for safety cover
- 70546 Buckle
- 70547 Spring – single

- 70552 Spring sleeve – single
- 70553 Spring sleeve – double
- 70557 Storage bag – green

Save Water, Heat and Money!



Leslie's Cover Weekly

- Saves Water
 - Saves Heat
 - Saves Money
 - Conserve 100's of gallons of water
 - Reduces evaporation up to 85%
 - Reduces heat loss as much as 70%
- 70715 32 oz



Pool Magic + PHOSfree

- Highly concentrated enzymes blended with PHOSfree phosphate remover
 - Treats 25,000 gal
 - No algae, no "bathtub ring" no hassle!
- 14141 1 ltr

COMMERCIAL REEL

ANTIFREEZE

WINTER PILL

KITS



Storm Commercial Reel

- T-Base design for exceptional stability
 - Height adjustable to 30"
 - Includes all straps and hardware
 - Sturdy anodized aluminum tube kits
- 85616 20' Reel w/4" Tubes
85618 24' Reel w/4" Tubes
85619 24' Reel w/5" Tubes



Antifreeze

- Protect your plumbing
 - 1 gal for every 10" of pipe
 - Non-Toxic & safe for all pool surfaces
 - Protects to -50° Fahrenheit
- 72650 1 gal



Winter Pill

- Easy-to-Use, Floats in the Pool, Under the Cover, all winter Long
 - Makes Spring Openings Faster & Easier
- 72660 Winter Pill



Opening/Closing Kits

- Contains all the chemicals needed to either open or close your pool
- 14876 Closing Kit (7,500 gal)
14877 Closing Kit (15,000 gal)
14878 Closing Kit (35,000 gal)
14880 Opening Kit (7,500 gal)
14881 Opening Kit (15,000 gal)
14882 Opening Kit (35,000 gal)

Great for Service Trade!

WINTER COVERS



GOOD

Deluxe Winter Cover

- Triple-layered polyethylene material resists acids, salt, alkalis and mildew
 - Heat sealed seams
 - Triple reinforced borders
 - Made with some of the best polyethylene resins for longer life
 - Withstands cold weather to -40° Fahrenheit
- 501418 12' x 24'
501419 15' x 30'
501420 16' x 32'

Many Other Sizes Available



BETTER

Steel Guard Winter Cover

- Rip-proof technology from an advanced interlock weave manufacturing process
 - You can see and feel the difference
 - Hi-tech lightweight material with full 5' overlap
 - Black and light-proof underside resists algae growth
 - Edges reinforced with super strength polypropylene binding
- 501439 16' x 32'
501440 18' x 36'
501441 20' x 40'
501442 25' x 45'
501443 30' x 50'

Many Other Sizes Available



BEST

Polar Protector Winter Cover

- 30% lighter than other covers and 50% stronger!
 - Superior seam strength
 - Water Bag loops every 40"
 - Attractive tan color, blue underside to prohibit algae growth – backed a 20 year warranty
- 400045 16' X 32' COVER
400046 18' X 36' COVER
400047 20' X 40' COVER
400048 25' X 45' COVER
400049 30' X 50' COVER

Many Other Sizes Available

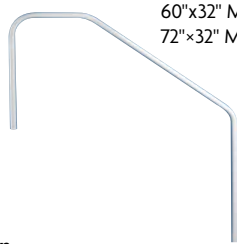
SAFTRON HANDRAILS

High Impact Polymer Pool Rails

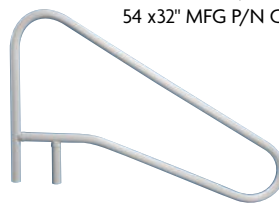
- Fully Encapsulated Steel Reinforced
- No Bonding/Grounding Required.
- Available in 6 Standard Colors
- Best Choice For Use With Salt Chlorinators
- No Rusting, Pitting or Scaling
- Will Not Fade, Chip or Corrode
- Industry Designs And Standards
- Custom sizes available
- 5 Year Warranty



Will not get HOT in the sun



60"x32" MFG P/N DTP-360
72"x32" MFG P/N DTP-372



52"x32" MFG P/N CBRTD-352
54"x32" MFG P/N CBRTD-354

More sizes available online



Saftron Anchor Socket 1.90 OD
No Bonding/Grounding Required with the use of Saftron Pool Rails and Ladders

24"x67" MFG P/N CBL-324-35
30"x67" MFG P/N CBL-330-35
36"x67" MFG P/N CBL-336-35



6 Standard Colors



TRTD-160



CBTRTD-144



Anch-1

SR SMITH BEND STAIR RAILS



2-Bend Stair Rails

2-Bend Stair Rails come in a wide variety of lengths to accommodate almost any pool. Constructed of stainless steel, these rails can also be powder coated for additional protection.
S/O White
S/O Rock Gray
S/O Taupe



3-Bend Stair Rails

3-Bend Stair Rails come in a wide variety of lengths to accommodate almost any pool. Constructed of stainless steel, these rails can also be powder coated for additional protection.
S/O



Whether it's a minor variation to one of our standard rail configurations, or something dreamed up on your own, Leslie's can build the special rail you need for your project. Large or small, simple or complex, our experienced builders can create any rail you desire. We offer a variety of options so every rail will be built according to your exact specifications.

SR SMITH FIGURE 4 HANDRAILS



Figure 4 Handrails

Figure 4 handrails are constructed from high-quality stainless steel, with the option of powder-coating or vinyl-coating for an added layer of protection.
*Minimum requirement for salt pools is 316L Marine Grade
309357 - 1.90"OD - .065" wall, pair

SR SMITH P-RAILS



P-Rails

P-Rails provide an ideal hand grip for in-wall pool ladders. The long lasting, stainless steel, high-shine mirror finish will keep your pool looking great for years, with little maintenance.
309130 - Rail set w/ Anchor Assembly
309128 - Rail set only
309686 - Anchor Assembly

SR SMITH COMMERCIAL RING HANDRAILS



Commercial Ring Handrails

Commercial Ring handrails provide a suitable hand grip for in-wall pool ladders. The long lasting, stainless steel, high-shine mirror finish will keep your pool looking great for years with little maintenance
309574 - Rails
309575 - Rails

KOOLGRIPS

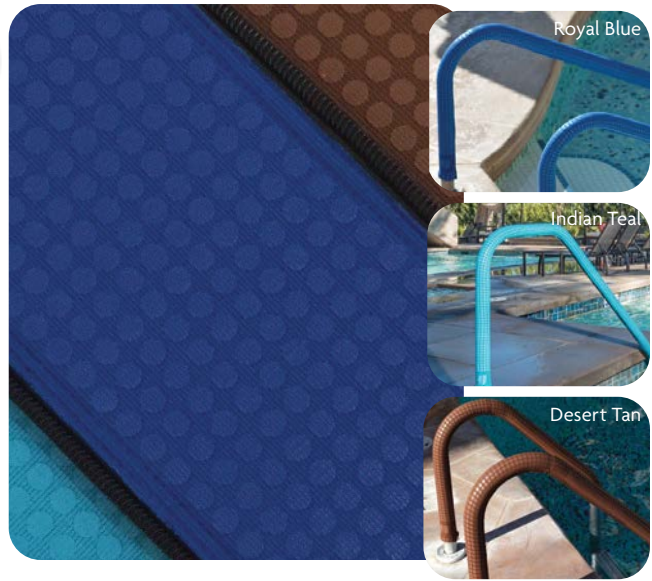
POOL AND SPA HANDRAIL COMFORT COVERS

KoolGrips Comfort Covers provides a nonslip grip and protection from the burn of the summer heat or when rails are too cold to hold during winter than that of an uncovered rail. KoolGrips Comfort Covers are also a great alternative to replacing expensive handrails and ladders due to rust stains, scratches, and dents as well as complementing any yard and patio decorative motif.

Available in 3 colors: Royal Blue, Desert Tan, and Indian Teal
 Five length sizes: 2', 4', 6', 8', and 10'
 Covers fit pool and spa handrails and ladders from 1.625" - 1.9" in diameter.

GREAT ALTERNATIVE to replacing rusted, stained and dented rails
 GREAT PROTECTION from hot or cold handrails
 GIVES EXTRA ASSISTANCE to children and seniors

Providing comfort with a nonslip grip...every customer, every time!



SR SMITH LADDERS



Commercial Ladders

Commercial ladders are made from thick stainless steel tubing, and are suitable for heavy duty use in commercial aquatic facilities. Commercial ladders come in three different sizes, 24", 30" or 36" to fit your pool. Stainless steel treads will ensure that your ladder stays looking great for years to come.
 S/O 24", 30", 36" Ladders



Standard Crossbrace Plus Ladders

Standard Crossbrace Plus ladders are made from thick stainless steel tubing, and are suitable for heavy duty use in commercial aquatic facilities. These ladders feature a crossbrace for added stability, with either durable plastic or stainless steel treads.
 S/O Standard Crossbrace



Standard Plus Ladders

Standard Plus ladders are made from thick stainless steel tubing, and are suitable for heavy duty use in commercial aquatic facilities. These ladders can be configured with either durable plastic or stainless steel treads.
 S/O Standard Plus

SR SMITH LADDER PARTS & ACCESSORIES



17.5" Recessed Step

62-209-4001	White
62-209-4002	Black



20" Safety-Pool Step Retrofit Kit*

62-209-602C	2-Step Kit
62-209-603C	3-Step Kit
62-209-604C	4-Step Kit
62-209-605C	5-Step Kit

*Designed to fit only ladders made prior to Jan 1, 2020

20" Elite Stainless Steel Tread (1.90" OD)

LTDF-103	1 tread, no hardware
8-912S	2 treads hardware kit
8-913S	3 treads hardware kit
8-914S	4 treads hardware kit
60-701	Hardware only for 2 treads
60-702	Hardware only for 3 treads
6-300	End cap
6-301	Black insert



20" Elite Stainless Steel Tread (15° tilt)

LTDF-105	1 tread, no hardware
60-701	Hardware only for 2 treads
60-702	Hardware only for 3 treads
6-301	Black insert
6-303L	Left end cap
6-303R	Right end cap

20" Plastic Tread

LTDF-106	1 tread, no hardware
8-932	2 treads hardware kit
8-933	3 treads hardware kit
8-934	4 treads hardware kit
8-935	5 treads hardware kit
60-704	Hardware only for 2 treads



Plastic Tread (15° tilt)

S2470-102	Tread w/15° tilt/hardware
2350105	Tread w/15° tilt only

[Click here to Connect with your Account Manager](#)

LANE LINES

Anti-Wave Lane Lines

Designed to deflect wave motions downward through hydrodynamic propulsion for wake-free competitive swimming. Durable, injection-molded polyethylene discs with built-in UV and chemical resistors. Ships assembled and complete with an "S" hook on one end and a Supertensioner™ on the other. All hardware is made of stainless steel and plastic. Water polo boundary and goal tethers available.



Anti-Wave Forerunner 4.75" Lane Line

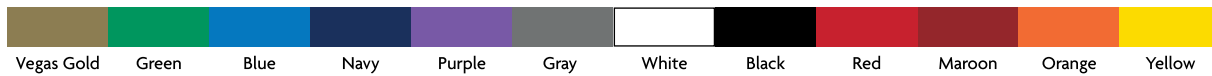


4.75" FORERUNNER LANE LINES		6" MAXIMUM LANE LINES	
S/O	50M LINE	S/O	50M LINE
S/O	50M LINE WITH 1 DISCONNECT	S/O	50M LINE WITH 1 DISCONNECT
S/O	50M LINE WITH 2 DISCONNECTS	S/O	50M LINE WITH 2 DISCONNECTS



Supertensioner

The Supertensioner provides a quick, easy way to tighten lane lines without the need for extra tools or ratchet mechanisms. The Supertensioner can easily be fitted to any manufacturer's lane lines and comes with a 5-year warranty. Please specify color when ordering. Comes fitted as standard on all AntiWave and Forerunner lanes.
902585 Supertensioner



COMPETITOR LANE LINES

Competitor Lane Lines

Patented flow-through design controls water turbulence by allowing wave energy to be dispersed along the length of the lane. Consists of a series of polyethylene disks and donuts that rotate independently, allowing wave energy to be absorbed and dispersed within the channel of the lane, optimizing conditions for training and competition. Ships fully assembled.



4" COMPETITOR LANE LINES		6" COMPETITOR GOLD MEDAL LANE LINES	
S/O	60 FT LANE	S/O	60 FT LANE
900789	75 FT LANE		
905743	25M LANE	903048	75 FT LANE
S/O	50M LANE	903326	25M LANE
386555	25M DISC TO 1-75' LANE	S/O	50M LANE
S/O	50M DISC TO 2-75' LANES	S/O	25M DISC TO 1-75' LANE
S/O	50M DISC TO 1-75' LANE	S/O	50M DISC TO 2-75' LANES
S/O	50M DISC TO 1-75' LANE & 1-25M LANE	S/O	50M DISC TO 1-75' LANE & 1-25M LANE
902277	4" CUSTOM LANE LINES (PER FT.)	382478	6" CUSTOM LANE LINES (PER FT.)
900198	HARDWARE KIT FOR CUSTOM LINES		





Classic Stor-Lane Reel™

Competitor's Classic Stor Lane Reel™ is ideal for easy, mobile storage and installation of racing lanes. Solid, molded end-wheels keep lines safely on the core to avoid tangles and line damage. A powder-coated aluminum frame offers easy and safe maneuverability.

- 84860 Lane Line Storage Reel
- 84862 Lane Line Cover (Sold Separately)

Classic		Elite	
4" CAPACITY			
6 LANES	60'	15 LANES	
7 LANES	75'	12 LANES	
6" CAPACITY			
6 LANES	25M	11 LANES	
3 LANES	50M	5 LANES	
6" CAPACITY			
5 LANES	60'	8 LANES	
4 LANES	75'	6 LANES	
3 LANES	25M	6 LANES	
1 LANE	50M	3 LANES	

LANE LINE PARTS



	DESCRIPTION
902277	4" COMPETITOR BODY SEGMENT
902279	4" COMPETITOR END SEGMENT
902278	COMPETITOR DONUT FLOAT
377817	RATCHET TAKE UP REEL
S/O	RATCHET WRENCH
377678	STAINLESS STEEL SPRING & CABLE LOCK
S/O	2" STANDARD RACING LANE "S" HOOK
900973	LANE LINE CABLE - 3/16" VINYL COATED



Lane Line Guard

- Deep channel with smooth surface
 - Lightweight with strong fiberglass construction
 - Extends the life of lane lines, saving money
 - Offers protection & helps grip the pool deck
- MFG Part #37000 Lane Line Guard
957287

FLAGS



Custom Flags

- Print any customized logo on your flags
 - Competitor® backstroke flags consist of an oxford nylon material in a range of colors that meet all FINA, NCAA, USA, and NFHS regulations.
- S/O

Flag Sizes: Small: 11" x 14.5" Large: 12" x 18"



Economy Flags

- 24, 12" X 18" plastic flags on a 50' nylon cord
- 956772 White
- 385479 Blue
- 386244 Yellow
- 379558 Red
- 385477 Gray

COMPETITIVE PACE CLOCKS



15" Pace Clock

Ideal for swim training, aerobics and personal training. This battery-powered unit features an easy to transport top-handle and flat base. Clock housings are offered in red or white and includes a "AA" Battery.

- 84482 White Face
- 84483 Red Face



31" Pace Clock

Our 31" Pace Clocks are designed primarily for competitive swim training. They may be wall-mounted or secured to a roll-away stand. The electric option includes an 18-foot electrical cord, with on/off switch. The battery option includes a "C" Battery.

- 84880 Electric Clock with White Face
- 382284 Roll Away Stand for 31" clocks



37" Pace Clock

Our 37" Pace Clocks feature large, highly visible 3.5" quarter numbers, designed primarily for competitive swim training. The electric option includes an 18-foot electrical cord with an on/off switch. The battery option includes a "C" Battery.

- 904606 Battery Powered with White Face
- 905186 Electric Clock with White Face

[Click here to Connect with your Account Manager](#)



Steel Meter Stand

The Steel Meter stand comes in three sizes ranging from 1/2 meter to 1 meter in height. The steel, powder coated construction is built to last for years with minimal maintenance. Board length will be determined by size and type of pool. Handrails are required for 3/4 and 1 Meter models and are sold separately
S/O Steel Meter Stand



Deluxe Towers

Deluxe Towers come in 1 and 3 meter heights to accommodate 14' or 16' diving boards, allowing you to find the perfect size for your commercial diving pool. Choose from right, left, dual or heel mount models. The steel tower is primed only and ready for a paint topcoat.
S/O Deluxe Tower



Econoline 1 Meter Tower

The Econoline 1 Meter Tower is a great stand for commercial pools that need a durable, mid-sized diving tower that will hold up to moderate to heavy-duty use. The Econoline tower is primed only and requires a paint topcoat. Handrails are required for this tower, and are sold separately.
S/O 1 Meter Tower

Leslie's Swimming Pool Supplies does not offer installation for Diving Platforms



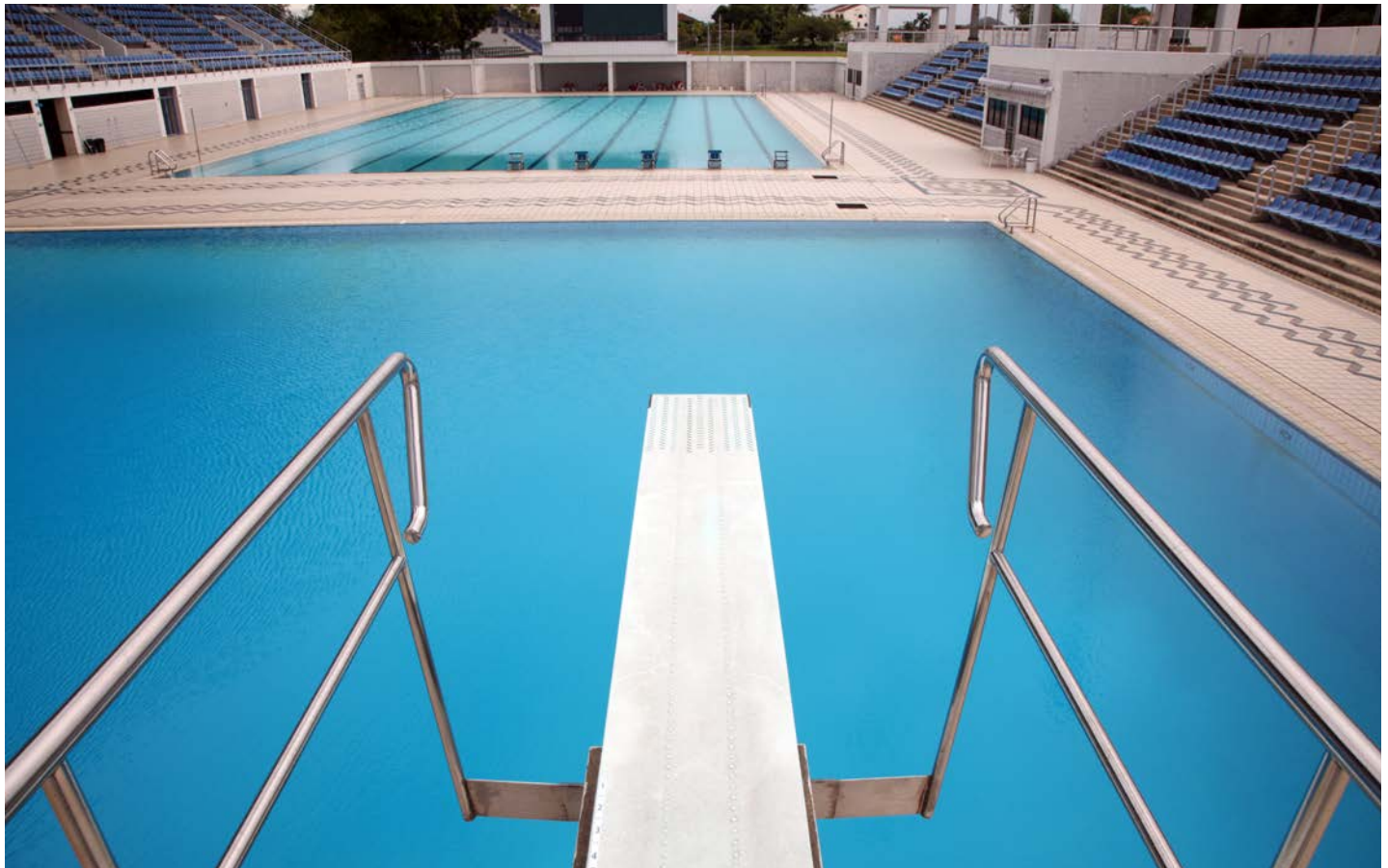
Olympian Board Aluminum



Frontier III Board



Frontier IV Board





Growler

One of Spectrum's most popular starting platforms, the Growler is great for all levels of competition and features the largest top in the industry.

- Large 25" x 32" single piece LDPE platform with molded-in, non-slip surface; no exposed bolts or hardware
- Front hand and toe grip for faster takeoffs
- 8" x 10" access step with molded-in, non-slip surface available in side or rear
- Side step accommodates anchor setbacks of 18" to 36"
- Rear step accommodates anchor setbacks of 30" to 36"
- Backstroke handles with versatile 18" H-ba
- Easy-to-read, large numbers visible from all four sides
- Complies with FINA, USA Swimming, NCAA and NFHS regulation

S/O Growler Side Step
S/O Growler Rear Step



Bighorn

- 23" x 25" non-slip surface with no exposed bolts or hardware
- 20" molded-in, non-slip surface step tread
- Standard Bighorn accommodates anchor setbacks of 20" to 30"
- Long reach model accommodates an anchor setback of up to 40"
- Backstroke handles with versatile 18" U-ba
- Anchors sold separately
- Complies with FINA, USA Swimming, NCAA and NFHS regulation

S/O Bighorn
S/O Long Reach Bighorn



Xcellerator

- Large 24" x 32" stainless steel top sloped at a 10° angle for optimal starting stances
- Covered in a superior non-slip material
- Easy-to-adjust track start footrest with 12 locations to accommodate all heights and levels of flexibility
- Uses single post anchor with patented design allowing for easy removal
- Side handles included to enhance speed and faster takeoffs
- Non-slip side access step
- Backstroke handles with versatile 18" H-ba
- Stainless steel construction
- Suggested setback of 30" – accommodates anchor setbacks of 18" to 38"

S/O Xcellerator Single Post



Grizzly

Another one of Spectrum's popular starting platforms. Great for all levels of competition.

- 23" x 25" single piece LDPE platform with molded-in, non-slip surface; no exposed bolts or hardware
- Front hand and toe grip for faster takeoffs
- 8" x 10" LDPE side or rear access step with molded-in, non-slip surface
- Accommodates anchor setbacks of 20" to 30"
- Backstroke handles with versatile 18" H-ba
- Superior stability and performance
- Easy-to-read, large numbers visible from all four sides
- Complies with FINA, USA Swimming, NCAA and NFHS regulation

S/O Grizzly Side Step
S/O Grizzly Rear Step



Cougar

- 25" x 32" non-slip surface LDPE platform with molded-in, non-slip surface; no exposed bolts or hardware
- Easy-to-read, large numbers visible from all four sides
- 8" x 10" access step with molded-in, non-slip surface available in side or rear
- Backstroke handles with versatile 18" U-ba
- Sleek platform top and step treads with no exposed bolts or hardware
- Available with side & rear step
- Cougar side step accommodates anchor setbacks of 18" to 40"
- Cougar rear step accommodates anchor setbacks of 30" to 40"
- Complies with FINA, USA Swimming, NCAA and NFHS regulation

S/O Cougar Side Step
S/O Cougar Rear Step



Record Breaker

- Large 24" x 32" stainless steel top sloped at a 10° angle for optimal starting stances
- Covered in a superior non-slip material
- Easily upgradable to Xcellerator with addition of side handles & track start footrest
- Uses single post anchor with patented anti-wobble design allowing for easy removal
- Non-slip access step, available on side or rear
- Side step accommodates anchor setbacks of 18" to 38"
- Rear step accommodates anchor setbacks of 30" to 38"
- Backstroke handles with versatile 18" H-ba
- Easy-to-read, large numbers visible from all four sides
- Available in black, with upgrade of custom colors and logos available

S/O Record Breaker Single Post



Swim N' Dunk Commercial RockSolid™ Basketball Game

Features a patented RockSolid anchor to eliminate movement against the toughest opponents, and a rugged SealedSteel® Salt Friendly single post frame and rim to guard against corrosion. When you need your deck to be clear, the game can be easily removed from the anchor, and the optional anchor cap put in place.

- Conveniently ships one box for easy handling and storage
- Single post design with an 18" anchor setback
- Salt Friendly SealedSteel® models are ideal for harsh indoor commercial environments
- Patented RockSolid® anchor ensures long term stability (won't wobble)
- Includes patented RockSolid® Anchor and salt friendly escutcheons

Specifications: 18" setback to center of anchor. Commercial grade 2.50" square, 304 stainless steel frame (Salt Friendly vinyl coated). Regulation rim, net, basketball, needle, anchor and escutcheon is included.

362084 Swim N' Dunk Basketball Game



Swim N' Dunk Commercial RockSolid™ Extended Reach®

Extended Reach version, with a 30" setback that works well in commercial aquatic facilities with wide overflow or parapet gutters. Features a patented RockSolid™ anchor to eliminate movement against the toughest opponents, and a rugged SealedSteel® Salt Friendly single post frame and rim to guard against corrosion. When you need your deck to be clear, the game can be easily removed from.

- Conveniently ships one box for easy handling and storage
- Single post design with an 30" anchor setback
- Salt Friendly SealedSteel® models are ideal for harsh indoor commercial environments
- Patented RockSolid® anchor ensures long term stability (won't wobble)
- Includes patented RockSolid® Anchor and salt friendly escutcheons

Specifications: 30" setback to center of anchor. Commercial grade 2.50" square, 304 stainless steel frame (Salt Friendly vinyl coated). Regulation rim, net, basketball, needle, anchor and escutcheon is included.

904770 - Game with anchor

951978 - Game with no anchor



Swim N' Dunk Commercial Dual Post

Features a SealedSteel® coated, one-piece upright frame and rim. The continuous uprights require less hardware and allow for quicker assembly, while the SealedSteel® Salt Friendly coating will stand up to harsh pool environments. When you need your deck to be clear, the game can be easily removed from the anchor, and the optional anchor caps put in place.

- Conveniently ships in 2 boxes for easy handling and storage
- Single-piece rail, dual-post design with an 18" anchor setback
- Salt Friendly SealedSteel® models are ideal for harsh indoor commercial environments
- Comes standard with a plastic anchor & salt friendly escutcheons (optional bronze anchor available for purchase, separately) Comes standard with a plastic anchor & salt friendly escutcheons (optional bronze anchor available for purchase, separately)

309187 Swim N' Dunk Commercial Dual Post Basketball Game



Commercial Volleyball Game

Comes in three sizes: 32' net, 42' net, or 52' net. Each net has 3' ties on each side. When you want to store the game, simply remove it from the anchors and replace with optional anchor caps for a flush look.

- Specifications: 1.90" OD, 304 stainless steel uprights with a 4' installed height. Competitive water volleyball, needle and anchors are included

309675 - 32' Net

309676 - 42' Net

309677 - 52' Net

FOAM FLOATS



Baja Folding Lounge

- Fully Adjustable Recliner
 - Double thick layers of Super Soft® vinyl coated foam work together with an internal steel frame that provides years of durability
- 79666 - Marina Blue



Texas Recreation Float

- Bring luxury and comfort to your poolside retreat with the Texas Recreation Sunwave 1.5" Wavy Pool Float.
- 75375 - Marina Blue



Baja Folding Chair

- Folding Chair features vinyl coated closed-cell foam with a full metal frame, along with steel reinforced arms and a backrest that unfolds into a comfortable seated position
- 79662 - Marina Blue



Made In USA

Monterey Float

- Made with durable, yet comfy foam.
 - Luxuriously soft with a quilted satin finish
 - Full-body support with an integrated pillow for the ultimate floating comfort
 - Our high-quality Aqua Cell foam can withstand harsh elements including sun, pool chemicals, and saltwater
 - Dimensions: 28"W x 72"D x 2.0"H
- Supports adults up to 250 lbs. (113 kg)
- 70665 Monterey

WATER EXERCISE EQUIPMENT



Aquatic Fitness Kit

This fitness kit comes with a power trio of toning tools to help build upper body strength. Includes flotation belt to increase flotation to maximize your workout.

76931

TRAINING PLATFORM



Swim Training Platform

- 300 lb (136 kg) weight capacity
 - 42" x 60" non-slip platform
 - Removable side rails
 - Adjustable height legs from 16" to 21"
- 956418 Swim Training Platform

Email Us for Help Finding the Right Solution

FPO
missing image

Baja Breeze Float

- Made with durable, yet comfy foam.
 - Luxuriously soft with a quilted satin finish
 - Full-body support with an integrated pillow for the ultimate floating comfort
 - Our high-quality Aqua Cell foam can withstand harsh elements including sun, pool chemicals, and saltwater
 - Dimensions: 29"W x 75"D x 2.5"H
- Supports adults up to 250 lbs. (113 kg)
- 70666 Baja Breeze

AQUATIC EXERCISE BIKES



TidalWave Bike

- Multiple levels of resistance with adjustable seat. Recumbent and Sport seat option
 - Collapsible for storage & hanging. Weighs on 40 lbs
 - Three year warranty on frame, one year warranty on parts & transmission
 - Stainless steel construction with durable powder coat finish
 - 300 lbs (136 kg) weight capacity
- S/O F-ACTPB

STANDARD COLORS:



NON-STANDARD COLORS:
*on orders of 10 or more



POOL ELLIPTICAL



Elly Pool Elliptical

- Easy to move, scratch resistant wheels
 - Wide PVC pedals ideal for bare feet
 - Adjustable ergonomic handles
 - Arm blades add resistance
 - Suitable for all pool finishes
- S/O Elly Pool Elliptical

[Click here to Connect with your Account Manager](#)

Chlorinators / Replacement Cells130

Hayward Goldline Controllers131
 Hayward CL-100 In-Line & CL110 Off-Line133
 Hayward CF High Capacity, CL200 In-Line & C220 Off-Line134
 Pentair Rainbow 300-Series Off-Line135
 Pentair Rainbow 320-Series In-Line136
 Waterway In-Line Series.....137

Feeder Pumps

Blue-White A-100138
 Blue-White FlexFlo A-100N139
 Rola-Chem140
 Stenner - Classic & Quick Pro Series.....141

Feeder Parts 142

Handheld Cleaners

Parts.....144
 Pentair Rainbow ProVac Commercial Grade.....145
 Pentair Rainbow & Kreepy Krauly.....146

Light Fixtures / Parts

Bulbs.....147
 Fixtures148

Filters

Hayward Star-Clear II.....150
 Hayward ProGrid151
 Hayward Micro-Clear152
 Hayward Pro Series Plus S311-360153
 Hayward Pro Series Side-Mount.....154
 Hayward HCF.....155
 Pentair Clean & Clear Plus156
 Pentair Predator & Clean & Clear157
 Pentair / Sta-Rite Posi-Clear PXC158
 Pentair / Sta-Rite Posi-Flo II PTM159
 Pentair Quad DE160
 Pentair / Sta-Rite System 3 (Cartridge, Sand or DE)161
 Pentair FNS DE (1993-Current)162
 Pentair Nautilus (Pac-Fab 1992-)163
 Pentair Tagelus164
 Pentair Triton C3165
 Pentair Triton II166
 Pentair TR100 & TR140C167
 Pentair THS168

Pumps

Pentair EQ-Series169
 Pentair Challenger170
 Pentair / Sta-Rite Dura-Glas & Max-E-Glas171
 Pentair / Sta-Rite Dura-Glas II & Max-E-Glas II172
 Pentair IntelliFlo173
 Pentair IntelliFlo XF & WhisperFlo XF174
 Pentair / Sta-Rite Max-E-Pro175
 Pentair WhisperFlo.....176
 Pentair C-Series177
 Hayward EcoStar178
 Hayward Max-Flo179
 Hayward Max-Flo II180
 Hayward NorthStar181
 Hayward Super Pump182
 Hayward RS & Super II183
 Hayward Tri-Star & Energy-Flo184
 Hayward HCP.....185

Pump Parts

Pump Seals.....186

Pump Baskets And Lids 188

Skimmer Parts / Inlet Parts 190

Skimmer Parts / Baskets / Deck Lids..... 191

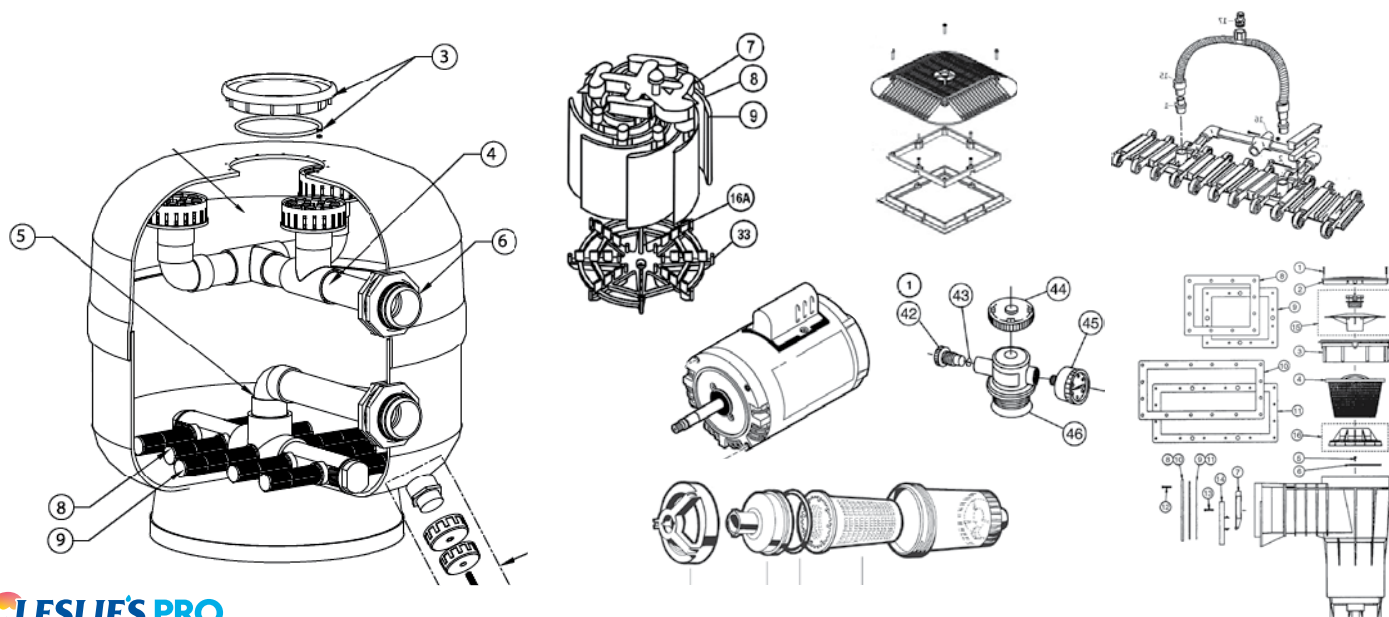
Drain Covers..... 193

Skimmers

Hayward SP1070 & SP1080 Series196
 Hayward SP1089 & SP1090 Series197
 Pentair Admiral (American)198
 Pentair Bermuda (Pac-Fab) & FAS (American)199
 Pentair Skim-Clean (Pac-Fab) & U3 (Sta-Rite)200
 Waterway Renegade In-Ground201

Heaters

Pentair MasterTemp202
 Pentair Mini-Max NT204
 Pentair Mini-Max Plus205
 Raypak RP2100 (1998-Current)207
 Raypak Digital (Atmospheric)210
 Raypak Digital LoNOx & Atmospheric212
 Raypak Digital LoNOx213
 Hayward H-Series Commercial214
 Zodiac Jandy LT & LX (2003-Current)216



RECOMMENDED GUIDELINES FOR WATER QUALITY

APSP (ASSOCIATION OF POOL & SPA PROFESSIONALS) GUIDELINES
FOR CHEMICAL OPERATIONAL PARAMETERS† (effective 4/2011)

	Minimum	Ideal	Maximum
Free Chlorine (FAC)	Pool: 1.0 ppm Spa: 2.0 ppm	2.0 – 4.0 ppm 2.0 – 4.0 ppm	None Given‡
Combined Chlorine (CAC)	0.0 ppm	0.0 ppm	Pool: 0.2 ppm Spa: 0.5 ppm
Bromine	Pool: 1.0 ppm Spa: 2.0 ppm	3.0 – 4.0 ppm 4.0 – 6.0 ppm	None Given‡
pH	7.2	7.4 – 7.6	7.8 #
Total Alkalinity Ideal range depends upon the type of sanitizer used. Maintain between 80-120 ppm.	60 ppm	80 – 100 ppm (for calcium hypochlorite, sodium hypochlorite and lithium hypochlorite) 100 – 120 ppm (for gas chlorine, dichlor, tri-chlor and bromine compounds)	180 ppm
Calcium Hardness	Pool: 150 ppm Spa: 100 ppm	200 – 400 ppm 150 – 250 ppm	1000 ppm* 800 ppm
TDS	N/A	N/A	1500 ppm over start-up TDS**
Iron & Copper (Heavy Metals)	0.0 ppm	0.0 ppm	0.0 ppm
Stabilizer ## (Cyanuric Acid)	10 ppm	30 – 50 ppm	100 ppm #

† Applicable health department guidelines and label directions supersede these.

‡ U.S. EPA maximum of 4.0 ppm chlorine / 8.0 ppm bromine is noted.

* Depends on local fill water conditions. Normally 500 ppm is the maximum.

** If the pool has a chlorine generator, drain when the TDS is 1500 ppm above the salt level. Most health departments recommend draining a spa when the TDS is 1200-1500 ppm above the fill water TDS level. Never drain more than a third of the water from vinyl-liner or fiberglass pools at any time. The preferred method is to drain one foot of pool water and add one foot of fresh water at the same time. Always drain using a submersible pump.

Varies per state and local health code.

Outdoor, chlorinated pools only.

Calculation Formulas

AMOUNT CONVERSIONS

Ounces to Pounds Ounces ÷ 16 = Pounds
 Fluid Ounces to Gallons Fluid Ounces ÷ 128 = Gallons

DISTANCE CONVERSIONS

Yards to Feet Yards x 3 = Feet
 Meters to Feet Meters x 3.28 = Feet

SURFACE AREAS

Circle: $3.14 \times \text{radius} \times \text{radius} = \text{Square Feet (Ft}^2\text{)}$
 (radius = diameter ÷ 2)
 Rectangle/Square: Length x Width = Square Feet (Ft²)
 Triangle: (Length x Width) ÷ 2 = Square Feet (Ft²)

POOL VOLUME

Surface Area x Average Depth x 7.48 (7.50 = GALLONS)
 Average Depth = (shallow depth + deep depth) ÷ 2

TURNOVER RATE

Pool Volume ÷ Flow Rate ÷ 60 = Hours

FLOW RATE (MINIMUM)

Pool Volume ÷ Turnover Rate (hours) ÷ 60 = Gallons per Minute (GPM)

FILTER SURFACE AREA

Flow Rate ÷ Filter Media Rate = Square Feet (Ft²) of Filter Surface Area Needed

FILTER MEDIA RATE

Also known as FILTERING RATE, MEDIA ABILITY OF FILTERING ABILITY
 (Measured in gallons per minute per ft²)

TYPE OF FILTER	GPM PER FT ² OF FILTER AREA	ACCEPTED RATE
D.E. (W/O Slurry Feed)	1.5 – 2.5	*2.0
D.E. (W/Slurry Feed)	2.0 – 3.0	*2.5
SAND (High Rate)	5.0 – 20.0	*5.0 - 20.0
SAND (Rapid Rate)	1.5 – 5.0	*3.0
CARTRIDGE	0.375 – 1.0	*0.375

***VARIES PER STATE AND LOCAL CODES** (Based upon type and style of filter –pressure or vacuum)

Filter Media Rate = Gallons per Minute per Square Foot (Ft²)

MAXIMUM USER (BATHER) CAPACITY

Surface Area ÷ Health Code Bather Capacity = **MAXIMUM USER CAPACITY**

How To Adjust pH and Alkalinity

**To Increase pH Using Soda Ash
(Sodium Carbonate, 100%)
with the Taylor Base Demand Procedure***

Volume of Water – U.S. Gallons							
Drops of Taylor Base Demand Reagent*	400 gallons	1,000 gallons	5,000 gallons	10,000 gallons	20,000 gallons	50,000 gallons	100,000 gallons
1 drop	0.21 oz	0.51 oz	2.56 oz	5.13 oz	10.3 oz	1.60 lb	3.20 lb
2 drops	0.41 oz	1.03 oz	5.13 oz	10.3 oz	1.28 lb	3.20 lb	6.41 lb
3 drops	0.62 oz	1.54 oz	7.69 oz	15.4 oz	1.92 lb	4.81 lb	9.61 lb
4 drops	0.82 oz	2.05 oz	10.3 oz	1.28 lb	2.50 lb	6.41 lb	12.8 lb
5 drops	1.03 oz	2.56 oz	12.8 oz	1.60 lb	3.20 lb	8.01 lb	16.0 lb
6 drops	1.23 oz	3.08 oz	15.4 oz	1.92 lb	3.85 lb	9.61 lb	19.2 lb
7 drops	1.44 oz	3.59 oz	1.12 lb	2.24 lb	4.49 lb	11.2 lb	22.4 lb
8 drops	1.64 oz	4.10 oz	1.28 lb	2.56 lb	5.13 lb	12.8 lb	25.6 lb
9 drops	1.85 oz	4.61 oz	1.44 lb	2.88 lb	5.77 lb	14.4 lb	28.8 lb
10 drops	2.05 oz	5.13 oz	1.60 lb	3.20 lb	6.40 lb	16.0 lb	32.0 lb

**To Decrease pH Using Muriatic Acid
(20° Baumé / 31.45% HCl)
with the Taylor Acid Demand Procedure***

Volume of Water – U.S. Gallons							
Drops of Taylor Acid Demand Reagent*	400 gallons	1,000 gallons	5,000 gallons	10,000 gallons	20,000 gallons	50,000 gallons	100,000 gallons
1 drop	0.37 oz	0.92 oz	4.58 oz	9.16 oz	1.15 pt	1.43 pt	2.86 qt
2 drops	0.73 oz	1.83 oz	9.16 oz	1.15 pt	1.15 qt	2.86 qt	1.43 gal
3 drops	1.10 oz	2.75 oz	13.7 oz	1.72 pt	1.72 qt	1.07 gal	2.15 gal
4 drops	1.47 oz	3.67 oz	1.15 pt	1.15 qt	2.29 qt	1.43 gal	2.86 gal
5 drops	1.83 oz	4.58 oz	1.43 pt	1.43 qt	2.86 qt	1.79 gal	3.58 gal
6 drops	2.20 oz	5.50 oz	1.72 pt	1.72 qt	3.44 qt	2.15 gal	4.30 gal
7 drops	2.57 oz	6.41 oz	1.00 qt	2.00 qt	1.00 gal	2.51 gal	5.01 gal
8 drops	2.93 oz	7.33 oz	1.15 qt	2.29 qt	1.15 gal	2.86 gal	5.73 gal
9 drops	3.30 oz	8.25 oz	1.29 qt	2.58 qt	1.29 gal	3.22 gal	6.44 gal
10 drops	3.67 oz	9.16 oz	1.43 qt	2.86 qt	1.43 gal	3.58 gal	7.16 gal

**To Increase Alkalinity Using Baking Soda
(Sodium Bicarbonate, 100%)**

Volume of Water – U.S. Gallons							
Desired Increase in ppm	400 gallons	1,000 gallons	5,000 gallons	10,000 gallons	20,000 gallons	50,000 gallons	100,000 gallons
10 ppm	0.90 oz	2.24 oz	11.2 oz	1.40 lb	2.80 lb	7.00 lb	14.0 lb
20 ppm	1.79 oz	4.48 oz	1.40 lb	2.80 lb	5.60 lb	14.0 lb	28.0 lb
30 ppm	2.69 oz	6.72 oz	2.10 lb	4.20 lb	8.41 lb	21.0 lb	42.0 lb
40 ppm	3.59 oz	8.97 oz	2.80 lb	5.60 lb	11.2 lb	28.0 lb	56.0 lb
50 ppm	4.48 oz	11.2 oz	3.50 lb	7.00 lb	14.0 lb	35.0 lb	70.0 lb
60 ppm	5.38 oz	13.4 oz	4.20 lb	8.41 lb	16.8 lb	42.0 lb	84.1 lb
70 ppm	6.28 oz	15.7 oz	4.90 lb	9.81 lb	19.6 lb	49.0 lb	98.1 lb
80 ppm	7.17 oz	1.12 lb	5.60 lb	11.2 lb	22.4 lb	56.0 lb	112 lb
90 ppm	8.07 oz	1.26 lb	6.30 lb	12.6 lb	25.2 lb	63.0 lb	126 lb
100 ppm	8.97 oz	1.40 lb	7.00 lb	14.0 lb	28.0 lb	70.0 lb	140 lb

**To Decrease Alkalinity Using Muriatic Acid
(20° Baumé / 31.45% HCl)**

Volume of Water – U.S. Gallons							
Desired Decrease in ppm	400 gallons	1,000 gallons	5,000 gallons	10,000 gallons	20,000 gallons	50,000 gallons	100,000 gallons
10 ppm	1.02 oz	2.56 oz	12.8 oz	1.60 pt	1.60 qt	3.99 qt	2.00 gal
20 ppm	2.04 oz	5.11 oz	1.60 pt	1.60 qt	3.20 qt	2.00 gal	3.99 gal
30 ppm	3.07 oz	7.67 oz	1.20 qt	2.40 qt	1.20 gal	3.00 gal	5.99 gal
40 ppm	4.09 oz	10.2 oz	1.60 qt	3.20 qt	1.60 gal	3.99 gal	7.99 gal
50 ppm	5.11 oz	12.8 oz	2.00 qt	3.99 qt	2.00 gal	4.99 gal	9.98 gal
60 ppm	6.13 oz	15.3 oz	2.40 qt	1.20 gal	2.40 gal	5.99 gal	12.0 gal
70 ppm	7.16 oz	1.12 pt	2.80 qt	1.40 gal	2.80 gal	6.99 gal	14.0 gal
80 ppm	8.18 oz	1.28 pt	3.20 qt	1.60 gal	3.20 gal	7.99 gal	16.0 gal
90 ppm	9.20 oz	1.44 pt	3.59 qt	1.80 gal	3.59 gal	8.99 gal	18.0 gal
100 ppm	10.2 oz	1.60 pt	3.99 qt	2.00 gal	3.99 gal	9.98 gal	20.0 gal

30 ppm Super-Shock Table for Algae Removal*

Volume of Water – U.S. Gallons								
	% Available Chlorine*	400 gallons	1,000 gallons	5,000 gallons	10,000 gallons	20,000 gallons	50,000 gallons	100,000 gallons
Liquid Chlorine	5%	1.92 pt	2.40 qt	3.00 gal	6.00 gal	12.0 gal	30.0 gal	60.0 gal
	10%	15.4 oz	1.20 qt	1.50 gal	3.00 gal	6.00 gal	15.0 gal	30.0 gal
	12%	12.8 oz	1.00 qt	1.25 gal	2.50 gal	5.00 gal	12.5 gal	25.0 gal
	35%	4.58 oz	1.14 oz	3.58 lb	7.15 lb	14.3 lb	35.8 lb	71.5 lb
Cal-Hypo	60%	2.67 oz	6.68 oz	2.09 lb	4.17 lb	8.35 lb	20.9 lb	41.7 lb
	65%	2.47 oz	6.17 oz	1.93 lb	3.85 lb	7.70 lb	19.3 lb	38.5 lb
	75%	2.27 oz	5.66 oz	1.77 lb	3.53 lb	7.05 lb	17.7 lb	35.3 lb
	90%	1.78 oz	4.45 oz	1.39 lb	2.78 lb	5.56 lb	13.9 lb	27.8 lb
	100%	1.6 oz	4.01 oz	1.25 lb	2.50 lb	5.01 lb	12.5 lb	25.0 lb

NOTE

- Acid is used to lower both pH and alkalinity.
- To lower pH, spread acid around pool.
- To lower alkalinity, pour acid in a few single spots.
- Add acid in several doses over one or more days.

MEASURES

- 1 gallon = 4 qts = 128 oz, 3.9 qts = 1 liter
- 1 quart = 2 pints = 32 oz
- 1 cubic foot of pool/spa volume = 7.5 gallons
- Pool/Spa water volume = L x W x Av. Depth x 7.5

WARNINGS

1. Heater turned off 15 minutes before turning off pump
2. Pump turned off before you backwash
3. Don't mix chemicals; always add chemicals to some water
4. When adding acid & chlorine – add acid first and wait 4 hours
5. Don't let stabilizer get above 100 ppm; you'll have to drain
6. Store test reagents out of heat or sun; get new each year
7. Low pH (<7.2) eats copper heater tubes and other components
8. Troubleshoot constant air bubbles in return lines
9. Fence gates must open outward from inside pool area
10. Must shock regularly: weekly in summer, monthly in winter
11. Bather load is biggest factor eating up chlorine

MAIN DAILY ROUTINE

1. Empty pump and skimmer baskets
2. Check and log filter pressure; high and low readings need to be studied
3. Backwash if filter pressure rises 10 lb above normal
4. Test water daily; record in Daily Log; see trend of data
5. After tests, adjust/add your chemicals in several small doses
6. Vacuum; and use filter protective debris canister
7. Brush walls, corners, steps very well with nylon brush
8. Check for safety equip; look for loose rails
9. Is there surface water circulation?; Adjust returns to same direction
10. Check flow out of chlorinator
11. Get rid of air in filter and pump pot lid; check suction side for leaks
12. Adjust water level halfway up skimmer hole; do you have weir doors

HELPFUL HINTS

1. Change spa water every 10-14 days
2. Use non-chlorine shock in spa and pool; swim in 20 minutes
3. If you use 3" tabs – supplement with liquid chlorine
4. If you use 3" tabs, fill chlorinator tube no more than 1/2
5. Add smaller chemical amounts frequently, not large amounts at once
6. Clean/replace chlorinator parts every 2-4 months
7. Change sand every 1-2 years; open lid – examine sand quality
8. Degrease sand every 10 days in summer with sand cleaner
9. Use algae preventative regularly; proper level chlorine is best
10. Use Phos Free regularly, keep phosphate below 125 ppb
11. For heavy bather load, use enzyme oil eaters once a week
12. Lube all lids and backwash valve O-rings with silicone
13. Label all equipment room pipes for direction and purpose
14. Adjust TA before adjust pH; adjust pH before adjust chlorine
15. Adding acid: in one place adjusts TA; walk around adjusts pH

HEALTH DEPT TARGETS

Chlorine Pool	1.0 – 5.0
Chlorine Spa	3.0 – 5.0
pH	7.2 – 7.8
Total Alkalinity	60 – 180
Stabilizer (cyanuric)	below 100
Calcium	200 – 400 ppm
Spa Temp	below 105

PROBLEMS AND SOLUTIONS

PROBLEM: Cloudy Water (Pool or Spa)

SOLUTION:

- A. Check filter for backwash need and/or degrease filter sand with cleaner. May need sand change. Filter too small for bather load. Check circulation: pump clogged, impeller too small, skimmers blocked.
- B. Check for early stage algae formation; if algae exists, bring chlorine level to 30 ppm with liquid applied late afternoon.
- C. After heavy bather load: superchlorinate: 90 oz liq/10,000 gal
- D. After wind/rain deposit dirt, use clarifier and shock.
- E. Make sure water is balanced for calcium and TA.
- F. Regularly replace spa water with fresh water (10 day cycles).

PROBLEM: Heater Not Igniting or Won't Stay Lit

SOLUTION:

- A. Clean pump and skimmer baskets
- B. Backwash filter
- C. Check for obstructions
- D. Look for loose or broken wires at connections
- E. Clean/replace pilot

PROBLEM: Spa/Pool Water has Chlorine Odor due to Dirty Chlorine

SOLUTION:

- A. Shock water
- B. Change water

PROBLEM: Oil on Water Surface from Sun Tan Lotion and Body Oil

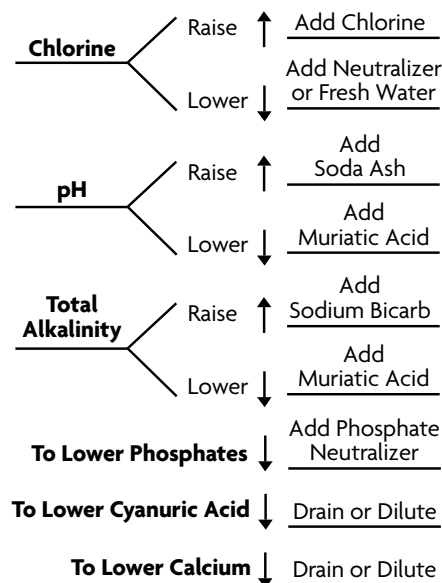
SOLUTION:

- A. Add enzyme oil eater
- B. Degrease or change sand

DOSAGES

1. To kill minor algae, raise 10,000 gal to 30 ppm with 3 gal fresh liquid chlorine; to kill advanced algae, raise 10,000 to 40 ppm with 4 gal liquid. Using Cal Hypo shock (65% strength), 4 one lb bags to 10,000 gal to get 30 ppm, or 5 one lb bags to get 40 ppm
2. To Raise TA by 10 ppm, add 1.5 lbs sodium bicarb per 10,000 gal
3. To Lower TA by 10 ppm, add 21 oz liquid acid per 10,000 gal
4. One 7 oz, 90% chlorine tab provides almost 5 ppm free chlorine per 10,000 gal, One 7 oz tab equals 50 oz regular liquid chlorine

BASIC ADJUSTMENTS



Salt Chlorine Systems
Common Replacement Cells



Auto Pilot AutoTec/Super Cells

15505	SC-36	RC-7
15506	SC-48	RC-15
15507	SC-60	RC-52
624735	942-5NF	RC-5



Hayward Salt & Swim

CALL	GLX-DIY-12	12-Month
CALL	GLX-DIY-6	6-Month



Hayward Aqua Logic, Aqua Rite, Aqua Trol & Gold-line

8134385624	ELL-3	15K 3-YEAR
8134340088	ELL-9	25K 3-YEAR
8133340135	ELL-15	40K 3-YEAR



Pentair IntelliChlor

621101	520554	IC20
621104	520555	IC40



Zodiac Clearwater C-Series

626262	W193841	C140 ELECTRODE
626257	W193991	C400 ELECTRODE (2-REQ.)
15502	W193851	C170 ELECTRODE
15503	W193861	C200 ELECTRODE
15504	W193871	C250 ELECTRODE



Zodiac Clearwater LM-2

Housing Sold Separately

15517	W202031	LM-2 15 Cell Only
15518	W202051	LM-2 24 Cell Only
15519	W202071	LM-2 40 Cell Only



Zodiac Clearwater LM-3

Housing Sold Separately

15560	W196566	LM-3 15 Cell Only
15561	W196586	LM-3 24 Cell Only
15562	W196606	LM-3 40 Cell Only



Zodiac Jandy AquaPure

3-Port Cells Cell Only (Includes: Cell, O-Ring & Cord)

617100	R0452300	APURE 700 Cell & Cord
617102	R0452400	APURE 1400 Cell & Cord
3-Port Cell With 2" Unions Replacement for Older Units		
624610	R0475300	APURE700 3-PORT 2" UNIONS
624640	R0475400	APURE1400 3-PORT 2" UNIONS

Part#	SKU	Description
Common Replacement Parts		
GLX-DRK	623950	Rectifier Upgrade
GLX-FLO-RP	624023	Flow Switch (15' cable, no tee)
GLX-FLO-RP-25	624024	Flow Switch (25' cable, no tee)
GLX-FLO-T	623868	Tee for Flow Switch
GLX-XFMR	624026	Transformer
GLX-R-10PK	624022	Rectifier (10 pack)
GLX-F20-10PK	623941	Fuse Kit, 20A (10 pack) (for AquaRite/Trol before 11/04)
GLX-F20A-10PK	623951	Fuse Kit, 20A/yellow (10 pack) (all AquaLogic/Rite/Trol after 11/04)
GLX-F3A-10PK	623952	Fuse Kit, 3A/violet (10 pack) (AquaLogic only)
GLX-FUSE-20	623884	Fuse Holder Kit (fuse holder and wires for Rite/Trol before 11/04)
GLX-PC-12-KIT	623925	Temperature Sensor with 15' leads and hose clamp
GLX-RF-EXTEND	CALL	AQL2-BASE-RF extension 50'
GLX-RELAY	623976	Relay, 3 H.P.
GLX-PWR-X	CALL	Power Supply, wall plug-in, for wireless remote
GLX-GVA-2CAM	623821	Cams for GVA Valve Actuator (Set of 2)
GLX-GVA-4SCR	623833	Screws (4) for mounting GVA-24 Valve Actuator
GLX-FLO	15510	Flow Switch (15' cable with tee)
GLX-FLO-25	CALL	Flow Switch (25' cable with tee)
GLX-TLOUTLET-20	CALL	120V/15 amp Twist Lock Pump Outlet
GLX-OUTLET-15A	CALL	120V/15 amp Pump Outlet
GLX-ELEC-KIT	CALL	Chlorinator Hook-up, line voltage
GLX-POD-CHGR	CALL	Battery Charger for AquaPod
GLX-CELLTST-STD	11609	Stand for Cell Tester
GLX-CELL-TESTER	11336	Tester for all TurboCell Electrolytic Cells
GLX-SS-RF	CALL	Wireless Spaside Remote Control
Salt Chlorinator Cells	For: AquaRite, AquaPlus, ProLogic & AquaLogic Systems	
GLX-CELL-3-W	CALL	TurboCell, 15K gallons, 1 year warranty
GLX-CELL-5-W	CALL	TurboCell, 20K gallons, 1 year warranty
GLX-CELL-9-W	CALL	TurboCell, 25K gallons, 1 year warranty
GLX-CELL-15-W	CALL	TurboCell, 40K gallons, 1 year warranty
GLX-CELL-PIPE	CALL	Straight Pipe Placeholder for TurboCell
GLX-CELL-UNION	15509	2" Cell Union Kit (1 each of nut, tailpiece, O-Ring)
GLX-CELL-5	624075	TurboCell, 20K gallons, 3 year warranty
GLX-CELL-15	15501	TurboCell, 40K gallons, 3 year warranty
GLX-CELL-15-25	624092	TurboCell, 40K gallons, 3 year warranty, 25 ft. cord
GLX-CELLSTAND	15508	Cleaning Stand for TurboCells
GLX-UNION-ORING	CALL	TurboCell Union O-Ring (pack of 12)
Accessories		
GLX-SALTMETER	624025	Salt Meter, handheld, digital
GLX-CAL-SOL	11282	Calibration solution for Salt Meter, 3200ppm
Generic	15508	Cleaning Stand, for all TurboCells (GLX-CELLSTAND)
AquaLogic Controls		
GLX-PCB-MAIN	624083	Main PCB, AquaLogic
GLX-PCB-EXP	624084	PCB, Expansion Unit for PS-16
GLX-LOCAL-P-4	624046	Display, Local, P-4
GLX-LOCAL-PS-4	624070	Display, Local, PS-4
GLX-LOCAL-PS-8	624073	Display, Local, PS-8
GLX-LOCAL-PS-16	624074	Display, Local, PS-16
GLX-BASE-RF	81206	Wireless Antenna for AquaLogic
AquaPlus Controls		
GLX-PCB-PRO	CALL	Main PCB, AquaPlus
GLX-PL-LOC-P-4	CALL	Display, Local, AquaPlus
E-Command		
GLX-PCB-HPC-2	CALL	Main PCB, E-Command
GLX-PCB-HPC-4	CALL	Main PCB, E-Command 4
GLX-LOC-HPC-2	CALL	Display, Local, E-Command
GLX-LOCAL-P-4	624046	Display, Local, E-Command 4
GLX-RF-3B	CALL	3 Button Remote Control



Salt Chlorinator Cell



Aqua Logic System

Part#	SKU	Description
-------	-----	-------------

AquaRite		
GLX-CTL-RITE	624093	Control Unit, AquaRite
GLX-PCB-RITE	624061	Main PCB, AquaRite
GLX-PCB-DSP	624011	Display PCB, AquaRite
AquaRite Pro		
GLX-CTL-AR-PRO	CALL	Control Unit, AquaRite Pro
GLX-PCB-AR-PRO	CALL	Main PCB, AquaRite Pro
GLX-AR-PRO-MEM	CALL	Display, Membrane Key Pad, dead front
AquaTrol		
GLX-CTL-TR-HP	624087	Control Unit, AquaTrol – HP, straight blade
GLX-CTL-TR-HP-T	624088	Control Unit, AquaTrol – HP, twist lock
GLX-CTL-TR-RJ	624089	Control Unit, AquaTrol – RJ, straight blade
GLX-CTL-TR-RJ-T	624090	Control Unit, AquaTrol – RJ, twist lock
GLX-RJ-ELBOW	623933	Fitting, Return Jet
GLX-TROL-TIMER	611446	24 hour Timeclock
GLX-PCB-TROL-RJ	CALL	Main PCB, AquaTrol RJ
GLX-PCB-TROL-HP	CALL	Main PCB, AquaTrol HP
GLX-CELL-5	624075	TurboCell, 20K gallons
OnCommand		
GLX-PCB-ONCOM	CALL	Main PCB, OnCommand
GLX-LOC-ONCOM	CALL	Display, Local, OnCommand
GLX-DOOR-ONCOM	CALL	Enclosure Door, OnCommand
AquaConnect		
GLX-HOMENET	CALL	Replacement Wireless Mini-server, Home Network
GLX-HOMENET-PS	CALL	Replacement Power Supply for AQ-CO-HOMENET
Sense & Dispense		
GLX-PROBE-ORP	CALL	Probe, ORP Replacement
GLX-PROBE-PH	CALL	Probe, pH Replacement
GLX-SD-ELEC-MOD	CALL	Sense and Dispense Electronics
GLX-SD-FLOW*	CALL	Flow Cell, Sense and Dispense
GLX-WINTER-KIT	CALL	Kit-Replacement, Winterizing
GLX-SP-LP3TUBE	CALL	Tube, Low Pressure, #3
GLX-SP-UVTUBE	CALL	Tube, UV
GLX-SP-STRAINER	CALL	Strainer
GLX-SP-CHEKV	CALL	Check Valve
GLX-SP-FLO	CALL	Flow Indicator
GLX-SP-DB	CALL	Duck Bill (2 pack)
GLX-SP-ROLLER	CALL	Roller Assembly
GLX-SADDLE	CALL	Saddle Clamp
GLX-SP-PUMP-120	CALL	120V Peristaltic Pump
GLX-SP-PUMP-240	CALL	240V Peristaltic Pump
Salt & Swim		
SAS-CELL	81194	Salt & Swim 3C Replacement Cell
GLX-CTL-DIY	CALL	Salt & Swim 3C Control Box
GLX-DIY-Cord	CALL	Salt & Swim 3C Replacement Power Cord
GLX-DIY-Cable	CALL	Salt & Swim 3C Replacement Cell Cable
GLX-DIY-Door	CALL	Salt & Swim 3C Replacement Door
GLX-DIY-VESSEL	CALL	Salt & Swim 3C Replacement Vessel
GLX-DIY-CCN15	CALL	1.5" Ring, Collar and Nut Set
GLX-DIY-CCN2	CALL	2" Ring, Collar and Nut Set
GLX-DIY-CUP	CALL	Cell Cleaning Cup
GLX-DIY-ORING	CALL	O-Ring for Salt Cell
GLX-DIY-UNION	CALL	Salt & Swim 3C Pro Union Kit



Aqua Rite & Turbo Salt Cell System

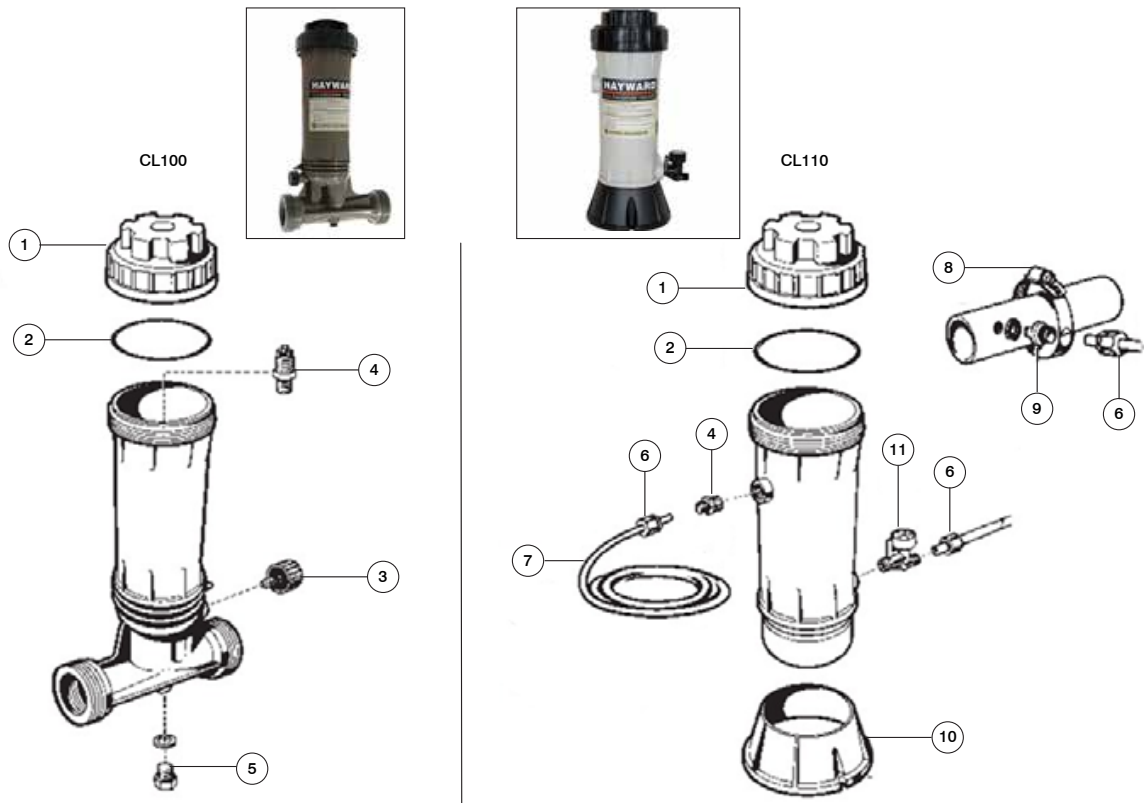


OnCommand Controller



Salt & Swim System

CL100 In-Line/ CL110 Off-Line Replacement Parts



Key	Horizon #	Description	Manf. #	LPM#
1	_CLX110C2	CL110Br Cover	CLX110C2	16500
1	43-150-1000	Lid, Hayward Chlorinator CL110	CLX110C	16336
2	Discontinued	O-Ring, Hayward Chlorinator CL110, Cover, Viton	CLX110K	424694
2	90-423-5341V	O-Ring, Viton, 3-1/2" ID, 3/16" Cross Section, Generic		16499
3	43-150-1008	Control Knob Assembly, Hayward Chlorinator CL110	CLX110FA	16503
4	43-150-1072	Check Valve/Inlet Adapter, Hayward Chlorinator CL200/CL220	CLX220EA	232404
5	43-150-1068	Drain Plug, Hayward Chlorinator CL200/CL220, with Gasket	SPX1700FGV	306428
6	43-150-1082	Compression Nut, Hayward Chlorinator CL200/CL220 Quantity 4	CLX220HPAK4	408402
6	89-555-1525	Compression Nut, Ferrule, Generic, 5/16" Tube, Plastic, Sgl		
7	_CLX220J25	Tubing - 5/16 In X 25 Ft	CLX220J25	
7	43-150-1080	Plastic Tubing, StaRite, Hayward Chlorinator CL200/CL220, 8ft	CLX220J	16349
8	43-150-1078	Stainless Clamp, Hayward Chlorinator CL200/CL220, 2"OD	CLX220K	611733
9	43-150-1076	Saddle Fitting, Hayward Chlorinator CL200/CL220	CLX220G	16516
10	Discontinued	Mounting Base, Hayward Chlorinator CL110	CLX110B	
11	43-150-1004	Dial Control Valve, Hayward Chlorinator CL110	CLX110DA	16501

Complete Feeders

42-150-1000	Off-Line Chlorinator, Hayward	CL110	624143
42-150-1004	Complete Chlorinator, Hayward CL100, 1-1/2" Fpt	CL100	624141

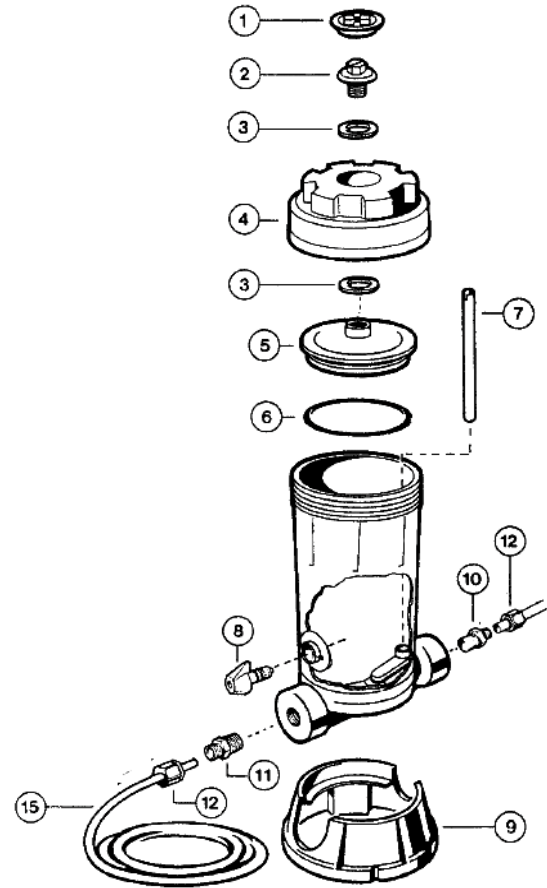
Key	Part#	Sku	Description
-----	-------	-----	-------------

CL220 Off-Line & CL200 In-Line Chlorinators (Right)

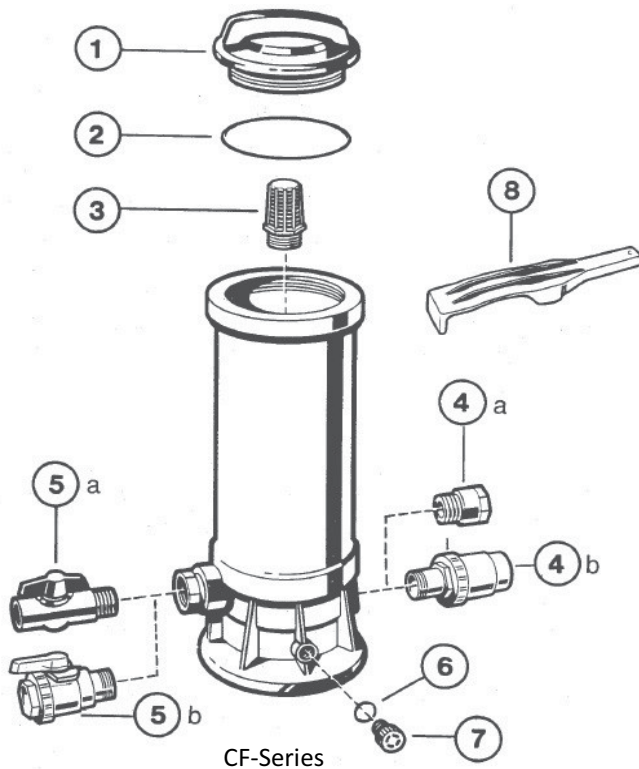
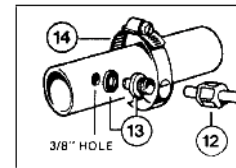
1-3	CLX200GA	16347	Cover Screw Kit w/Washer
4-6	CLX200CA	611731	Cover Cap Kit w/O-Ring
4	CLX200C	16338	Cover Cap
5	CLX200B	16337	Cover
6	O-231V	16345	O-Ring, Cover, Viton (CLX200K)
7	CLX200H	16506	Feed Tube
8	CLX200PA	16341	Control Knob Assy.
9	CLX220B	16507	Base CL220
10-11	16342	16342	Check Valve & Inlet Fitting Kit (CLX220EA)
12-14	16346	16346	Saddle Fitting Tubing Kit (CLX220GA)
12	CLX220H	16505	Compression Nut
13	CLX220P	16334	Adapter Fitting 1/4"
14	CLX220K	611733	Saddle Clamp
15	CLX220J	16349	Tubing 8FT
16a	SP1500UNMPAK1	16343	Union End Connector, Each
16b	SP1500UNPAK2	40031	Union End Connector, 2-pk
16c	SPX1480BTC	611730	Union w/ 1/4" Tap
17	16504	16504	Drain Plug, 1/4" (SPX1700FG)

C250-1800CF Large Chemical Feeders (Below)

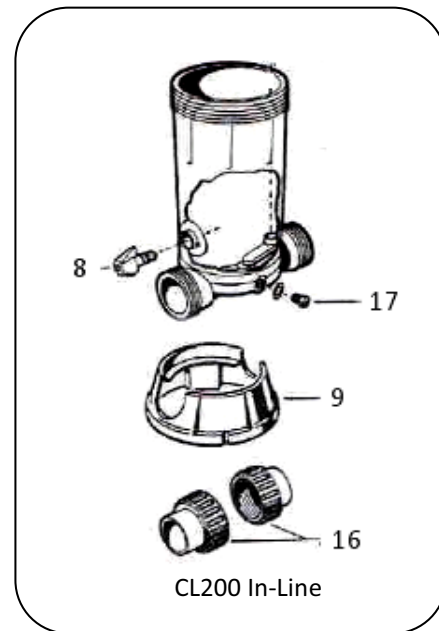
1	SPX3100D	40545	Cover
2	O-12V	66260	O-Ring, Viton (SPX3000SV)
3	CX500J	16509	Strainer
4a	CX500CV	16513	Check Valve, 3/4"
4b	CX1100CV	16514	Check Valve, 1-1/2"
5a	CX500BV	16511	Valve Control, 3/4"
5b	CX1100BV	16512	Valve Control, 1-1/2"
6	SPX605Z2V	66261	O-Ring, Drain Plug
7	CX250Z14	16333	Drain Plug, 1/2"
8	SP1300T	40955	Lid Wrench



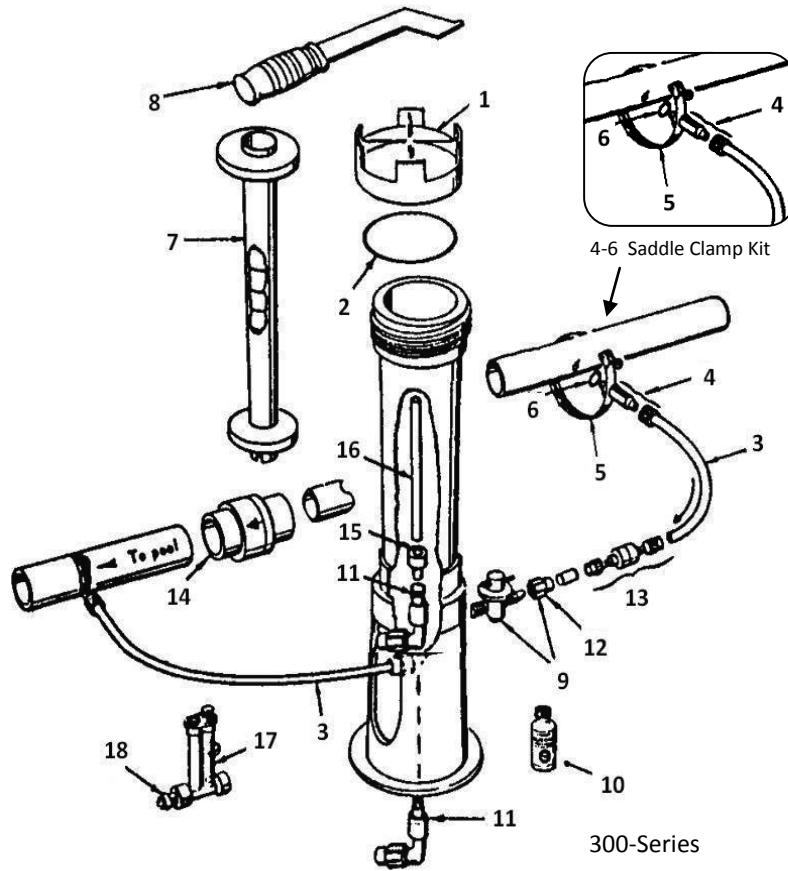
CL220 Off-Line



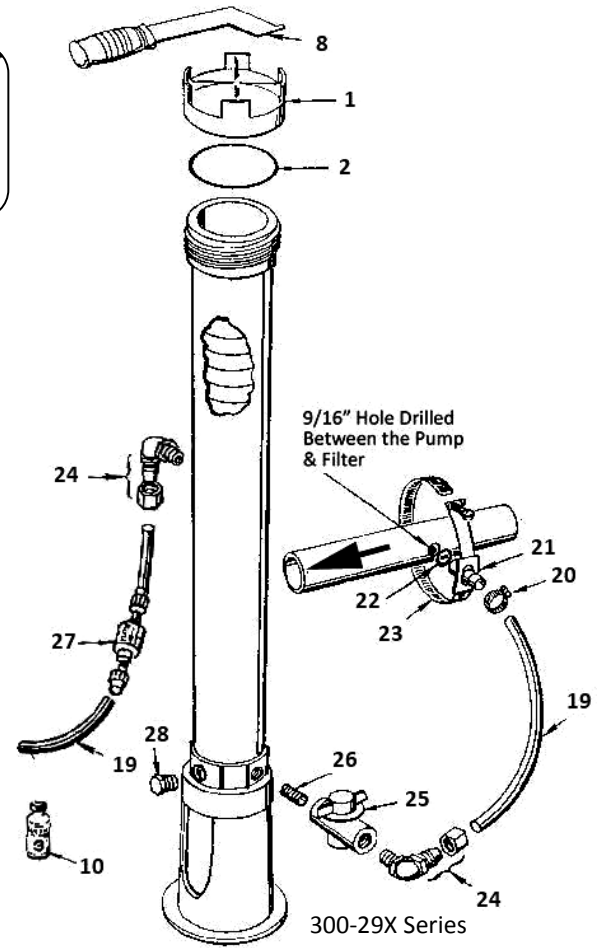
CF-Series



CL200 In-Line



300-Series



300-29X Series

Key	Part#	SKU	Description
-----	-------	-----	-------------

300, 302, 300-19 & 300-29 Replacement Parts

Key	Part#	SKU	Description
1	R172008W	16370	Cap, White
2	O-283	66565	O-Ring, Cap (R172009)
3	R172023	16330	Tubing, 8ft x 1/4"
4-6	200013	16415	Saddle Clamp Kit
4	R172032	611779	Tube Fitting w/Comp. Nut
5	R172034	611791	Saddle Clamp
6	R172033	16326	Gasket, Tube Fitting
7	R172037	16387	Spa Chamber (for 302-Series)
8	R172052	16420	Wrench, Lid
9	R172060	16390	Control Valve, 1/4" w/Nut
10a	68926	68926	Leslie's Lube 3.5 oz
10b	R172036	611790	Silicone Lube 1 oz
11	R172061	16400	Elbow w/Check Valve
12	R18706	16410	Compression Nut Ea. (Only)
13	R172323	16329	Check Valve, 1/4"
14	R172288	16389	Check Valve, 1-1/2 to 2"
15	R172061B	611713	Standpipe Adapt., Bromine
16	R18761	611714	Standpipe, 6"
17	R172080	81302	Flow Indicator w/Check Valve
18	R172020	16394	Check Valve (Old Style)

Parts Kits: 300-Series

R172064	611727	Parts Bag, Includes:
2x Tube Fittings (R172032)		1x Control Valve (R172060)
2x Gaskets, Fitting (R172033)		1x Silicone Lube (R172036)
2x Saddle Clamps (R172034)		1x Elbow Check Valve (R172061)

Key	Part#	SKU	Description
-----	-------	-----	-------------

Commercial Size 300-29X Replacement Parts

1	R172008W	16370	Cap, White
2	O-283	66565	O-Ring, Cap (R172009)
8	R172052	16420	Wrench, Lid
10a	68926	68926	Leslie's Lube 3.5 oz
10b	R172036	611790	Silicone Lube 1 oz
19	R172269	16418	Tubing 12ft x 1/2"
20	R175013	16371	Tube Clamp
21	R172262	16372	Saddle Fitting
22	R172263	16373	Gasket, Saddle Fitting
23a	R172264	16374	Saddle Clamp, 1-1/2" to 2" Pipe
23b	R172264XL	16375	Saddle Clamp, 3-6" Pipe
24	R172272	16411	Elbow Tube Fitting, 1/2" w/Nut
24a	R172274	16383	Compression Nut, 1/2"
25	R172086	16391	Control Valve, 1/2"
26	R172256	16414	Adapter, 1/2" Nipple
27	R172324NS	16376	Check Valve, 1/2"
28	R172134	16377	PVC Plug 1/2" MPT

Parts Kits: 300-29X

R172275	16378	Parts Bag, Includes:
2x Saddle Fitting (R172262)		1x Nipples 1/2" MPT (R172256)
2x Gasket, Fitting (R172263)		1x Control Valves 1/2" (R172086)
2x Saddle Clamp (R172264)		1x Elbow Fitting (R172272)
2x Tube Clamp (R175013)		1x Silicone Lube (R172036)

Key	Part#	SKU	Description
-----	-------	-----	-------------

New Style 2007 - Present

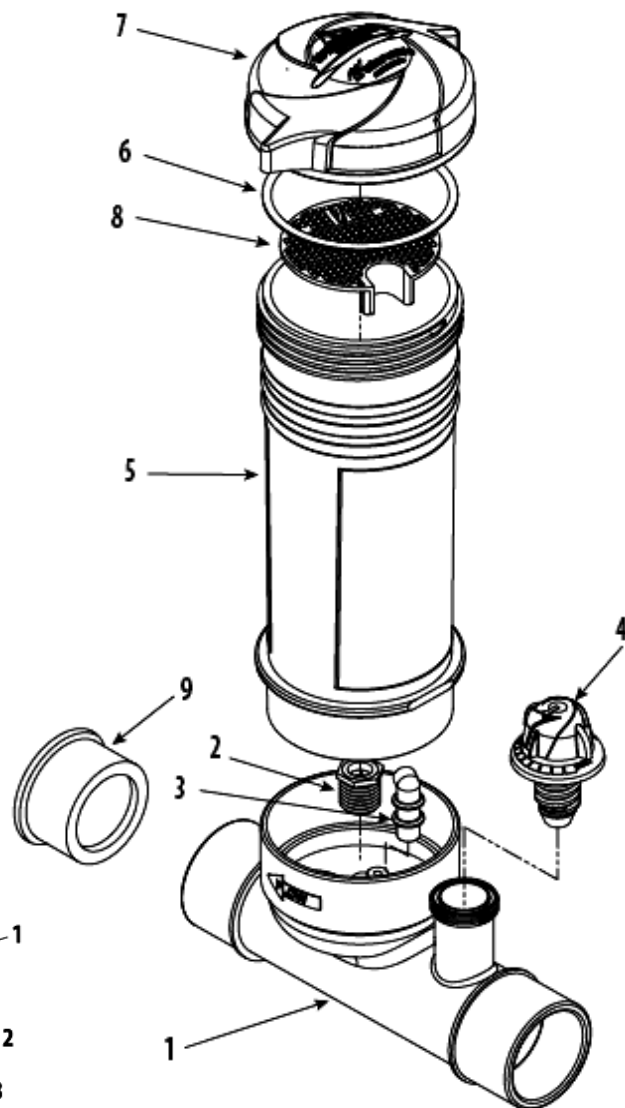
1	515-1210	CALL	Tee Lower Body
2	600-1180	CALL	Check Valve Assembly
3	411-1170	CALL	90° Elbow - 1/4"
4	600-1207	CALL	Valve Stem Assembly
5	515-1170	CALL	Upper Body
6	805-0348V	621539	O-Ring - Lid
7	519-1167	CALL	Lid
8	319-0030	CALL	Filter Screen
9a	421-4070	68045	Reducer - 1 1/2" S x 2" Spigot
9b	413-4380	68038	Reducer - 1 1/2" FPT x 2" Spigot

Style 2002-2007

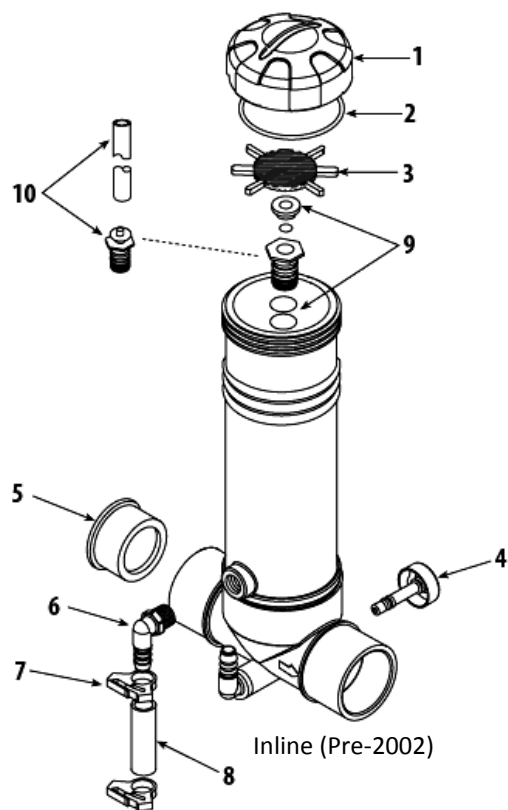
1	519-1167	CALL	Lid
2	805-0348V	621539	Lid O-Ring
3	319-0030	CALL	Filter Screen
4	411-1170	CALL	90° Elbow - 1/4" Pipe
5	600-1180	CALL	Check Valve Assembly
6	600-1190	621700	Stem Assembly with O-Ring

Style Pre-2002

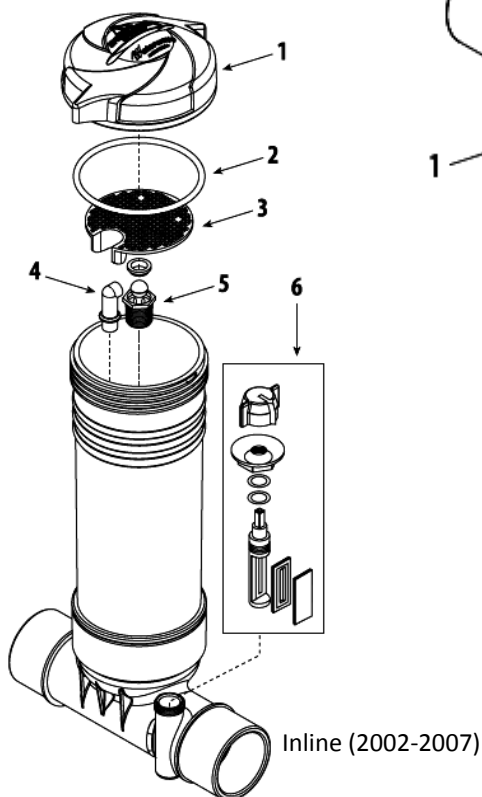
1	519-1181	614268	Lid
2	805-0340V	621539	O-Ring - Lid
3	319-0041	614274	Filter Screen
4	600-0051	614308	Valve Stem Assembly
5	421-4070	614261	Reducer - 1 1/2" Socket x 2" Spigot
6	400-0021	NLA	Discontinued- Elbow Assembly
7	872-2290	611694	1/2" Hose Clamp
8	519-7361	614275	3" Flex Hose
9	550-2120	NLA	Discontinued- Coupler Assembly
10	550-2130	614260	Bromine Conversion Assembly for 1" Tablets



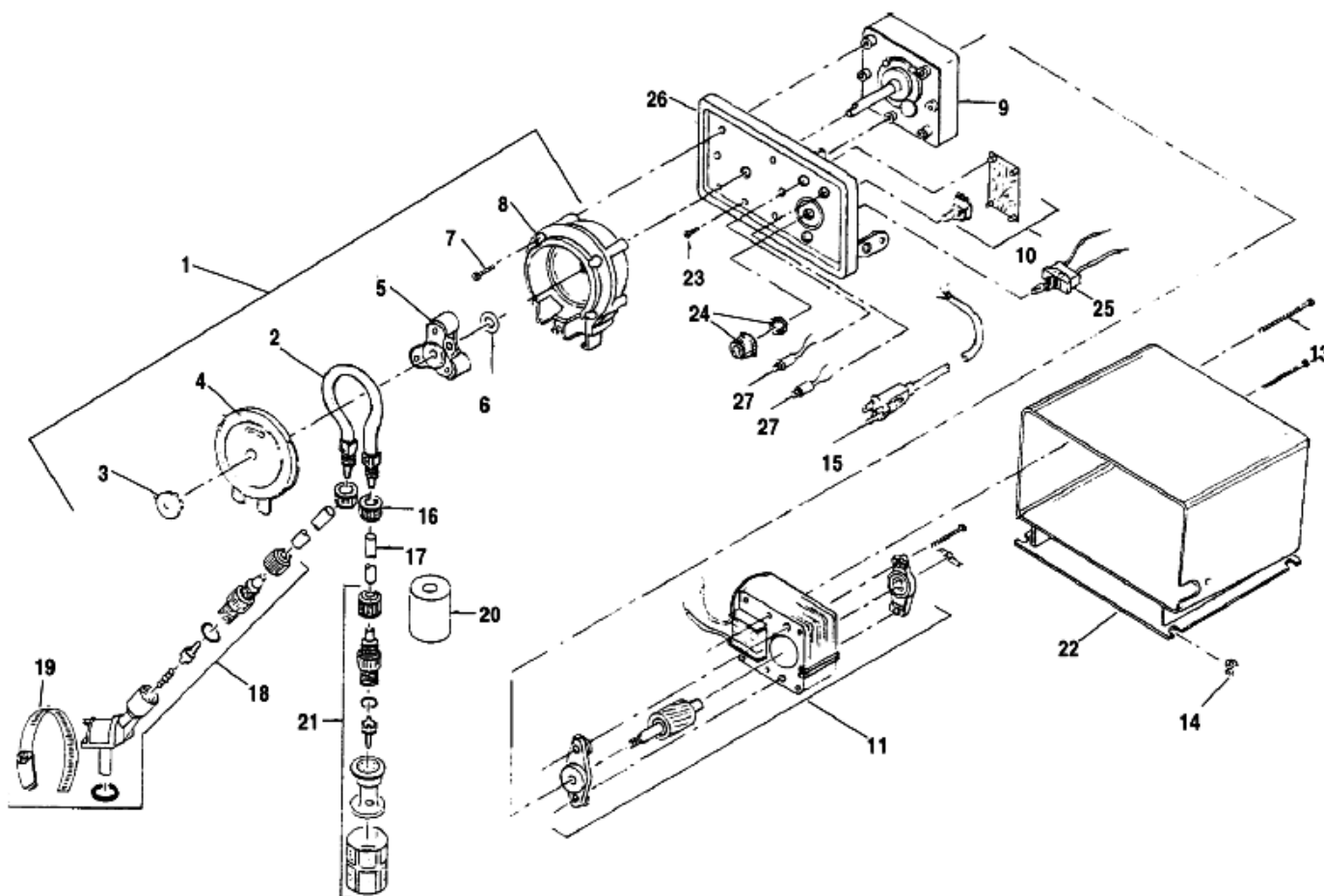
In-Line (2007-Current)



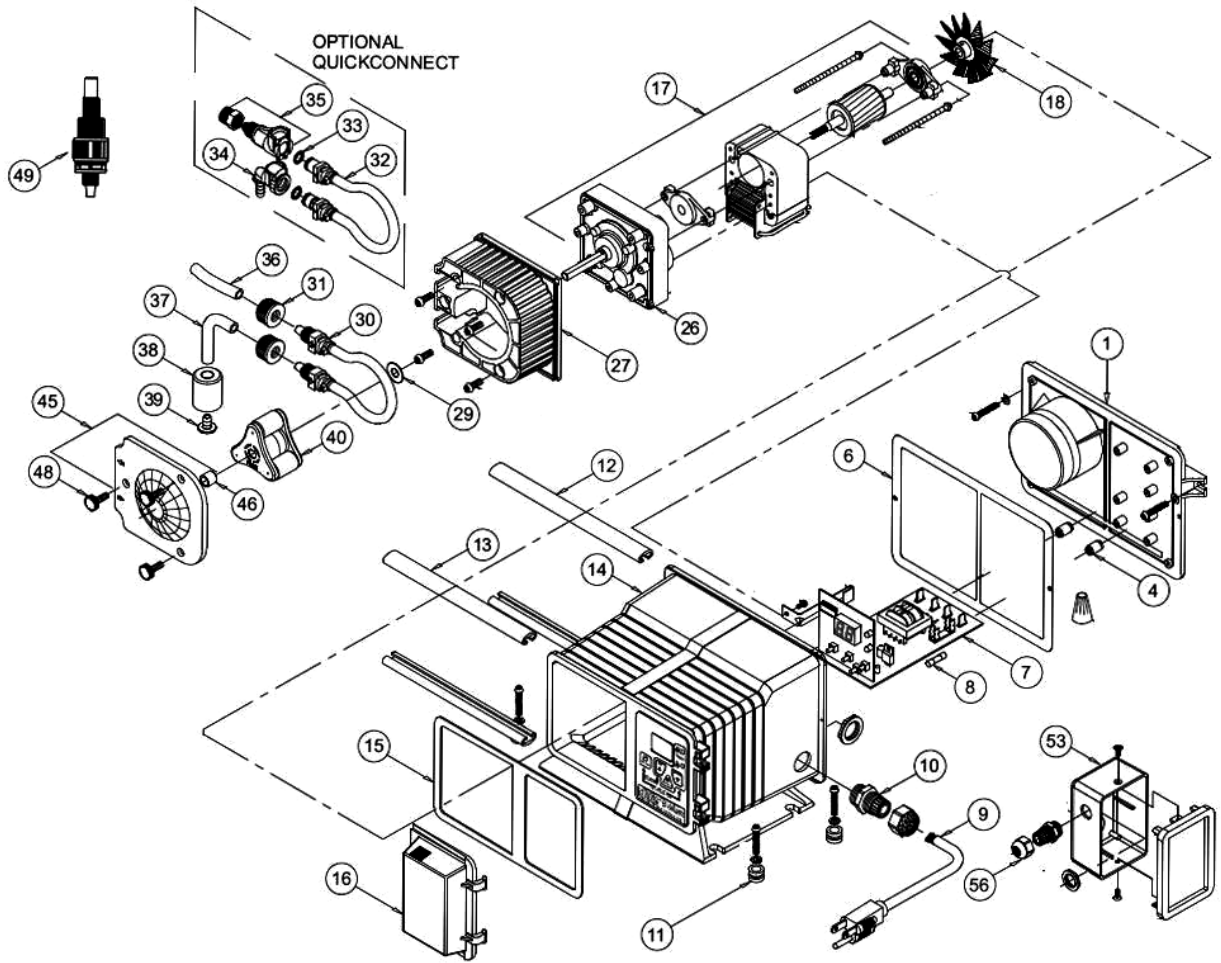
In-Line (Pre-2002)



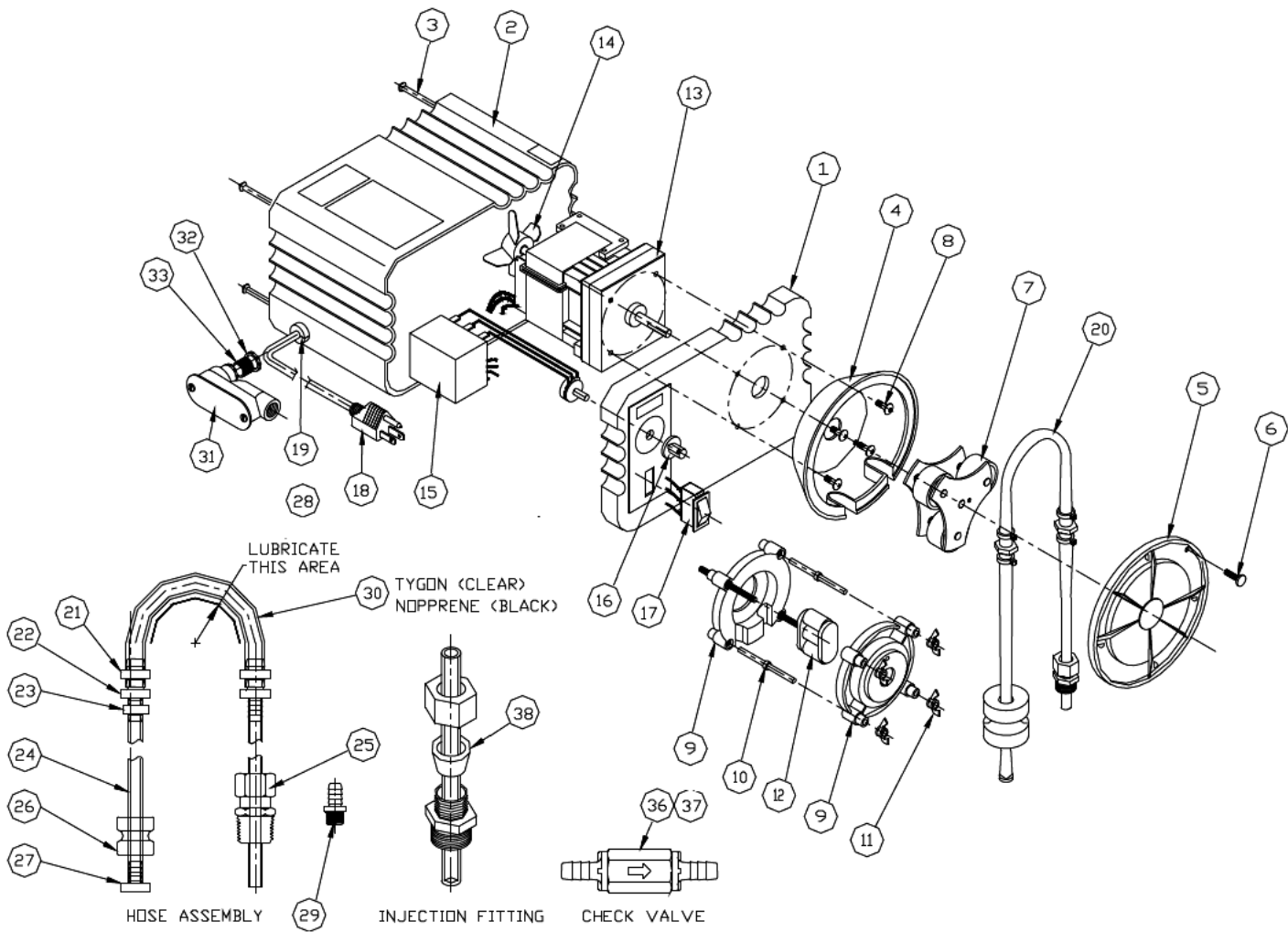
In-Line (2002-2007)



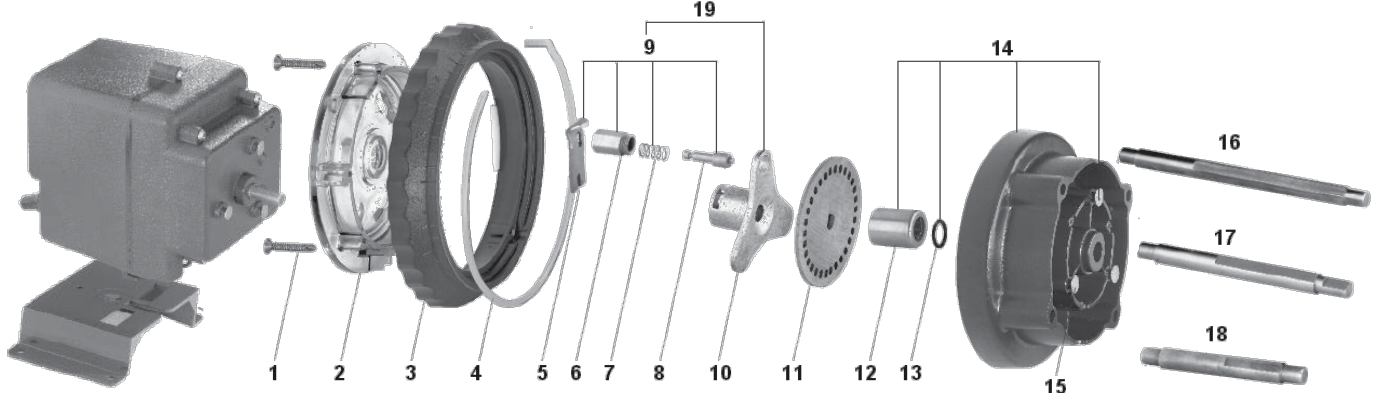
Key	Part#	SKU	Description	Key	Part#	SKU	Description
3-8	72001-067	605884	Pump Head (Less Tubing)	14	A-035	605861	Rubber Feet
2a	A-002-3N	605881	Tube Assy, 3/16" OD Neoprene	15	C-1523UL	605860	Power Cord, 115V
2b	A-002-4N	605880	Tube Assy, 1/4" OD Neoprene	16a	C-330-4	605859	Nut, 1/4" Tubing
2c	A-002-6N	81702	Tube Assy, 3/8" OD Neoprene	16b	C-330-6	605858	Nut, 3/8" Tubing
2d	A-002-7N	605879	Tube Assy, 7/16" OD Neoprene	17a	C-332-4-10	81700	Tubing 1/4" OD x 10ft PVC
2e	A-002-6	81703	Tube Assy, 3/8" OD Vinyl	17b	C-334-6-10	605854	Tubing 3/8" OD x 10ft PVC
2f	A-002-4	605842	Tube Assy, 1/4" OD Vinyl	17c	3-334-6-25	605853	Tubing, 3/8" OD Vinyl
3	A-011	605882	Knob, Head Cover	18a	T-140-4V	605857	1/4" Saddle Fitting Kit
4	A-001	605848	Head Cover	18b	T-140-6V	81660	3/8" Saddle Fitting Kit
5	A-003	605841	Triple Roller Assy.	19	CF-3040	605816	Saddle Clamp, 1-2.5" Pipe
6	A-031	605815	Head Spacer	20	CF-346	608856	Weight, Ceramic
7	A-004	63054	Screw, 3/4" Head	21a	C-340-V	605855	1/4" Foot Valve
8	A-005	605845	Head	21b	C-340N-6V	81655	3/8" Foot Valve, Std
9a	A-008-1	605871	Gearbox Assy. 14 RPM	21c	C-340N-6E	606192	3/8" Foot Valve, EP Seal
9b	A-008-2	605870	Gearbox Assy. 30 RPM	22	A-10	60020	Cover, Motor Housing
9c	A-008-3	605869	Gearbox Assy. 45 RPM	23	A-006	605876	Screw, 1/2" Panel
10a	A-023-N-B	605867	1 Min Timer, 115V Electronic	24	A-032	605875	Knob, Timer
10b	A-023-N-F	605866	6 Sec Timer, 115V Electronic	25	A-022	605874	Power Switch
11a	A-149-1	805865	Motor, 14 RPM 115V	26	A-007-B	605873	Front Panel
11b	A-309-2	605864	Motor, 30-45 RPM 115V	27a	R-212-1	605872	Indicator Light
13	A-028	605862	Screw, 3" Housing	27b	F1-100-6-25	81595	Indicator, 3/8" Chem. Feed



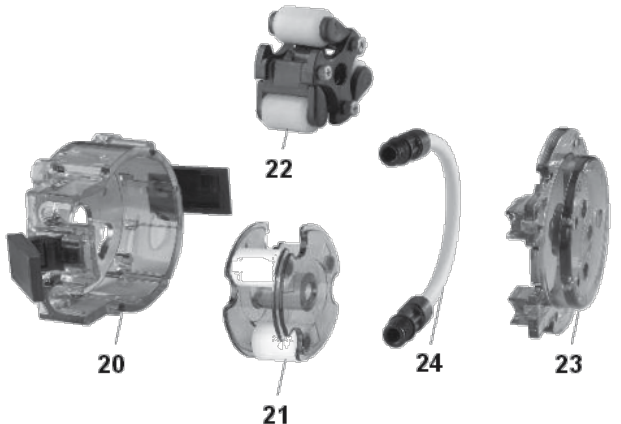
Key	Part#	SKU	Description	Key	Part#	SKU	Description
1	71000-214	CALL	Back Plate w/Gasket	27	76001-009	616908	Pump Head
6	90006-580	CALL	Gasket, Mounting Plate	29	90011-014	CALL	Spacer, Rotor
7	60010-215	CALL	Digital Timer, Programmable	30a	71000-157	616909	Pump Tube, 0.37" OD Barb
8	90010-223	CALL	Fuse, Timer	30b	71000-158	616910	Pump Tube, 0.25" OD Barb
9a	71000-175	CALL	Power Cord, 115V Digital	31	90002-047	616911	Compression Nut
9b	71000-177	CALL	Power Cord, 230V Digital	32a	71000-184	616912	Pump Tube, 0.25" OD Quick
9c	90010-110	605860	605860 Power Cord, 115V Fixed%	32b	71000-185	616913	Pump Tube, 0.37" OD Quick
9d	90010-133	CALL	Power Cord, 230V Fixed%	33	90003-007	616914	O-Ring, Quick Disconnect
10	70000-589	CALL	Bushing, Cord	34	90008-299	616915	Adapter, Quick Disc 0.37 Inlet
11	90003-559	CALL	Mounting Feet, Rubber	35	90008-300	616916	Adapter, Quick Disc 0.37 Outlet
12	76001-000	CALL	Slide Clamp, Rear	36	76000-168	616917	Tubing, Outlet 0.37"OD x 5ft
13	76000-999	CALL	Slide Clamp, Front	37	90008-116	616920	Tubing, Inlet 0.37"OD x 5ft
14		CALL	Housing	38	90008-068	616919	Ceramic Weight
15	90006-579	CALL	Gasket, Front Panel	39	90002-200	616920	Strainer, Inlet Tubing
16	90002-191	CALL	Door, Controls	40	71000-159	616922	Roller Assy.
17a	70002-146	616900	Gear motor, 14 RPM 115V	41	90002-189	616923	Rotor, Rear Half
17b	70002-147	616901	Gear motor, 30 RPM 115V	42	90002-188	616923	Rotor, Front Half
17c	70002-150	616902	Gear motor, 14 RPM 230V	45	71000-156	CALL	Cover, Pump-head
17d	70002-151	616903	Gear motor, 30 RPM 230V	46	76001-003	CALL	Bearing Sleeve, Cover
18	90006-581	CALL	Motor Fan	48	90011-160	CALL	Screw, Pump-head Cover
26a	70000-074	616904	Gearbox, 14 RPM	49	70000-439	616024	Injection Valve Assy.
26b	70000-075	616905	Gearbox, 30 RPM	53	70000-656	CALL	Junction Box Complete
26c	70000-076	616906	Gearbox, 45 RPM	56	90007-515	CALL	Bushing, Junction Box
26d	70000-227	616907	Gearbox, 60 RPM				



Key	Part#	SKU	Description	Key	Part#	SKU	Description
1	527253	CALL	Enclosure Cover	17	524711	625652	3-Way Switch
2	527251	CALL	Enclosure Body	18	-----	CALL	Power Cord (Consult Factory)
3	525253	CALL	Screw, 10-24 x 4-1/2"	19	524070	CALL	Grommet
4	521752	CALL	Housing Body	20a	523252	617043	Hose Assy. 8" Complete
5	521751	CALL	Housing Cover	20b	523118	617046	Hose Assy. 13.5" Complete
6	523408	CALL	Lock Knob	21	525114	617054	Hose Clamp (#8) Plastic
7	523400	CALL	Roller, (TRI 3-Roller)	22	520111	617047	Fitting, Hose Conn. 3/8" Barb.
8	525233	CALL	Screw, 10-24 x 3/4"	23	520110	617052	Hose Clamp (#6)
9	521225	CALL	Pump Housing	24	520120	617050	Vinyl Tubing, 0.31x0.44 x 66"
10	525004	CALL	Brass Stud 10-32	25	527158	625657	Injection Fitting, Brass
11	525140	CALL	Nut 10-32	26	523110	617052	Hose Weight 7/16"
12	523332	625669	Roller, 2" H-Block	27	520112	CALL	Retainer, Hose Weight
13a	521058	617021	Gear Motor, 1R 120V	28	523102	625633	Lubricant 3g
13b	521094	617022	Gear Motor, 1R 240V	29	520113	617012	Adapter 1/4 MPT x 3/8 Barb.
13c	521805	617023	Gear Motor, 4R 120V	30a	523251	617042	Norprene Hose, 8"
13d	521806	617024	Gear Motor, 4R 240V	30b	523114	617045	Norprene Hose, 13.5"
13e	521316	617025	Gear Motor, 16R 120V	30c	523250	617041	Tygon Hose, 8"
13f	521317	625689	Gear Motor, 16R 240V	30d	523115	617044	Tygon Hose, 13.5"
13g	524754	617026	Gear Motor, 30R 120V	31	524115	CALL	Junction Box
13h	524755	CALL	Gear Motor, 30R 240V	32	524135	CALL	Nut, 1/2"
14	-----	CALL	Fan (See Gear Motors Above)	33	524110	CALL	Nipple 1/2 x 1"
15a	524717	625679	Timer Assy. 120V	36	521160	617051	PVC Check Valve 3/8" Barb.
15b	524718	625680	Timer Assy. 240V	37	521170	617060	PVC Check Valve 1/4 NPT x 3/8" Barb.
16	521154	625649	Timer Knob	38	525113	617053	Seal, Injection Fitting



Key Part#	SKU	Description	Key Part#	SKU	Description
Motors			Feed Rate Control Parts		
PM6041D	606170	Motor 60Hz	1	FCS000A	608985 Screw, Mounting Plate
PM6042D	606169	For Adjustable Output 45 & 100 Series 120V	2	FCSN000	606131 Mounting Plate
PM6081D	606168	For Adjustable Output 85 & 170 Series 120V	3	FC5M040	606133 Dial ring
PM6082D	606167	For Adjustable Output 85 & 170 Series 220V	4	UCFC5H0	606146 Variable Cam (2-pk)
ME6041D	606166	For Fixed Output 45 Series 120V	5	UCFC5L1	606142 Index Pin Lifter (2-pk)
ME6042D	606165	For Fixed Output 45 Series 220V	6	FC5L003	606135 Holder, Index Pin
ME6081D	606164	For Fixed Output 85 Series 120V	7	FC5L005	606134 Spring, Index Pin
ME6082D	606163	For Fixed Output 85 Series 220V	8	FC5L002	606136 Index Pin
DM6041D	606162	For Fixed Output 100 Series 120V	9	UCFC5AY	606148 Index Pin Assy. (Incl.# 5-8) Each
DM6042D	606161	For Fixed Output 100 Series 220V	10	FC5K00D	606137 Index Spider
DM6081D	606160	For Fixed Output 170 Series 120V	11	UCFC5ID	606144 Index Plate (each)
Quick Pro Pump Heads			12	FC5F000	606138 Roller Clutch
Classic, SVP, BDF & M128			13	FC5E000	606456 O-Ring, 3/8"
QP251-1	CALL	Single Pump Head #1	14	FC5D00S	606140 Feeder Housing Kit
QP252-1		Single Pump Head #2	15	FCS000C	606130 Mounting Rivet C
QP253-1		Single Pump Head #3	16	DM5A00D	606150 Main Shaft, Double Adj. Head
QP254-1		Single Pump Head #4	17	DM5A0DC	606149 Main Shaft, Dual Control Head
QP255-1		Single Pump Head #5	18	UCFC5AD	606152 Main Shaft, Single Head
Dual Pump Head			19	FC5LASY	CALL Spider Assy. (Incl.# 9-10)
Innermost Head Only Each Head Sold Separately			Head Parts		
QPA251-1	CALL	Inner Pump Head #1	20	QP400-1	CALL Tube Housing (Universal) w/Latches
QPA252-1		Inner Pump Head #2	20a	QP400-2	CALL Latches, 2-pk
QPA253-1		Inner Pump Head #3	21	UC3ASYD	606123 Roller Assy., Classic
QPA254-1		Inner Pump Head #4	22	QP500-1	CALL Roller Assy., Quick Pro
QPA255-1		Inner Pump Head #5	23	QP100-1	CALL Cover, Tube Housing (Universal) w/Bushings



24- Pump Tubes

Stantoprene Pump Tubes 2-pk with 1/4" Ferrules

UCCP201	606101	Pump Tube 2-pk #1
UCCP202	606099	Pump Tube 2-pk #2
UCCP203	606097	Pump Tube 2-pk #3
UCCP204	606095	Pump Tube 2-pk #4
UCCP205	606093	Pump Tube 2-pk #5
UCCP207	606091	Pump Tube 2-pk #7

Stantoprene Pump Tubes 5-pk with 1/4" Ferrules

MCCP201	606100	Pump Tube 5-pk #1
MCCP202	606098	Pump Tube 5-pk #2
MCCP203	606096	Pump Tube 5-pk #3
MCCP204	606094	Pump Tube 5-pk #4
MCCP205	606092	Pump Tube 5-pk #5



617031
Globe Flow Cell with Flow-switch
#550180



Quick Connect Valve
617030 1/4" Tubing #550054
617010 3/8" Tubing #6389490



625651
Probe Replacement Fittings
#550089



In-Line Filter Kit for Flow Cells
625677 1/4" Tubing #550590
617011 3/8" Tubing #550591



120V Solenoid



In-Line Filter



Check Valve
625660

Solenoid Kit, 120V #550290
Includes Solenoid, In-Line Filter & Check Valve



625664 Check Valve #521160
3/8" Hose Barb x 3/8" Hose Barb



617012 Check Valve #521170
3/8" Hose Barb x 3/8" MPT



625657 Injector Adapter
#521158 1/2" Brass Fitting



617012 Injection Adapter
#520113 1/4" Plastic Fitting



617013
ORP Gold Tip Probe #550201
For Salt Water Pools



Black Tubing
625632 1/4" #550027
16330 3/8" #550194



Controller Probes (Heavy Duty)
625695 ORP Probe #550136
625696 PH Probe #550135



Tubing Connectors
625646 1/4" Tube to Pipe #550026
625651 3/8" Tube to Pipe #550089

Key Part#	SKU	Description
-----------	-----	-------------

Injection Check Valves

UCDBINJ	606088	1/4" Check Valve, Duckbill & Ferrule (each)
MCDBINJ	606087	5-pk 1/4" Check Valve, Duck Bill & Ferrule Kit
UCINJ38	606084	3/8" Check Valve, Duckbill & Ferrule (each)
MCINJ38	606083	5-pk 3/8" Check Valve, Duckbill & Ferrule Kit

Injector Parts

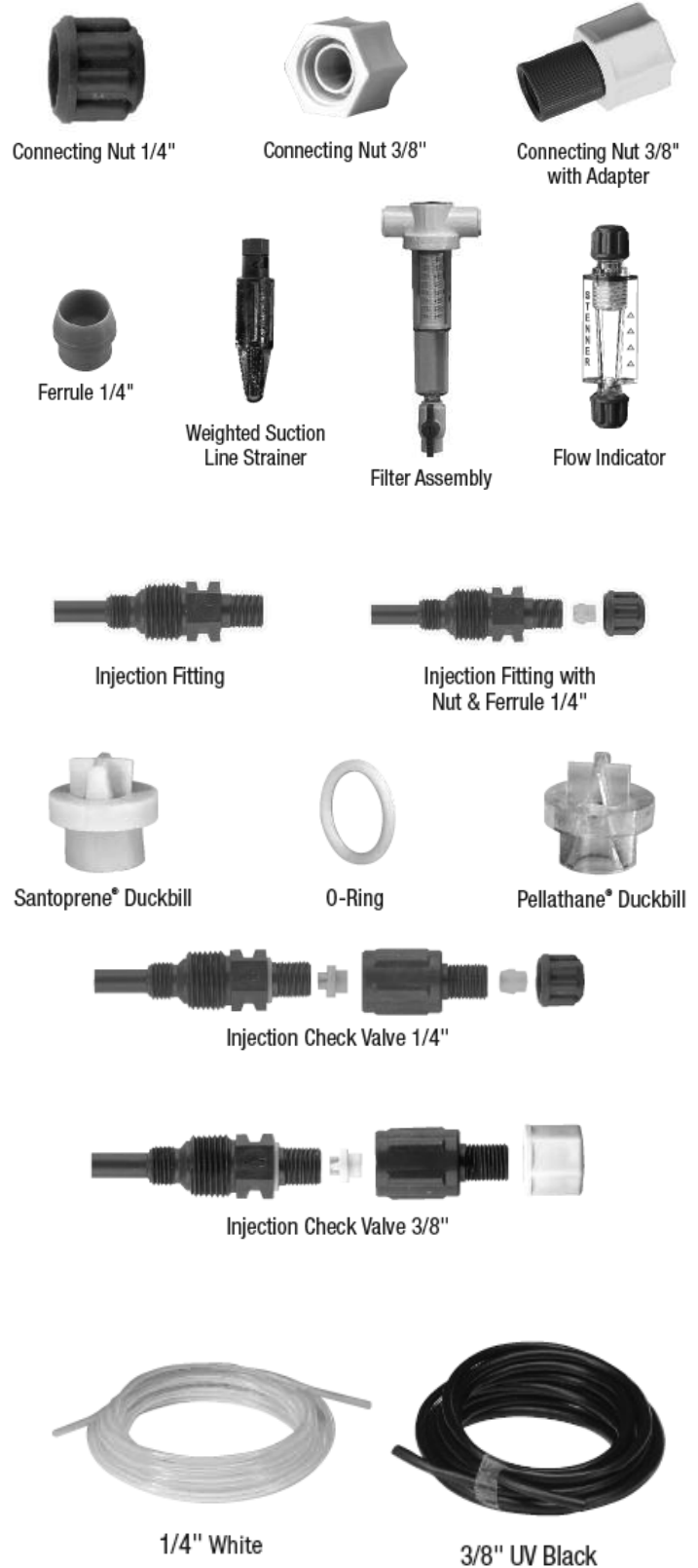
MCAK300	621210	Injection Fitting with Nut & Ferrule 1/4" (each)
UCAK300	606065	5-pk Injection Fitting with Nut & Ferrule 1/4" Kit
CVIJ1/4	606073	Check Valve Injection Fitting 1/4" (each)
CVIJ3/8	CALL	Check Valve Injection Fitting 3/8" (each)
UCCVDB0	606082	Santoprene® Duckbill, 2-pk
MCCVDB0	606081	Santoprene® Duckbill, 5-pk
CVIJOR	CALL	Santoprene® O-Ring (each)
UCTYDB2	CALL	Pellathane® Duckbill, 2-pk
MCTYDB5	CALL	Pellathane® Duckbill, 5-pk
TVIJOR	CALL	Pellathane® O-Ring (each)

Common Parts

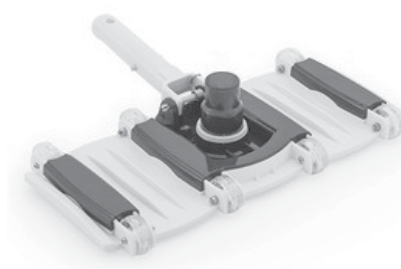
UCAK100	606071	Connecting Nut 1/4", 10-pk
MCAK100	606070	Connecting Nut 1/4", 24-pk
MANUT00	CALL	Connecting Nut 3/8" (each)
UCADPTR	606080	Connecting Nut 3/8" with Adpt. 2-pk
MCADPTR	606079	Connecting Nut 3/8" with Adpt. 5-pk
UCAK200	606067	Ferrule 1/4", 10-pk
MCAK200	606066	Ferrule 1/4", 24-pk
ST114	621209	Suction Line Strainer 1/4", Weighted
ST138	CALL	Suction Line Strainer 3/8", Weighted
MAGCSGR	605784	AquaShield® Lube, 8 oz. Tube (each)
AK600	CALL	Flow Indicator 1/4" with Bracket
AK700	CALL	Flow Indicator 3/8" with Bracket
AK900	CALL	Bracket, Flow Indicator
P2000	CALL	In-Line Filter Assy.

Discharge/Suction Hoses

AK4002B	606061	ROLL 1/4" x 20' UV Black
AK4002W	606060	ROLL 1/4" x 20' White
AK4010B	606059	ROLL 1/4" x 100' UV Black
AK4010W	606058	ROLL 1/4" x 100' White
AK4100B	606057	ROLL 1/4" x 1000' UV Black
AK4100W	606056	ROLL 1/4" x 1000' White
MALT02B	CALL	ROLL 3/8" x 20' UV Black
MALT002	606055	ROLL 3/8" x 20' White
MALT10B	CALL	ROLL 3/8" x 100' UV Black
MALT010	606054	ROLL 3/8" x 100' White
MALTB10	CALL	ROLL 3/8" x 1000' UV Black
MALT100	606053	ROLL 3/8" x 1000' White



Cleaning Tool Parts



Vac Handle

- 20885 Plastic Handle w/Clip & Pin
- 611831 Chrome Handle
- 20979 Steel Swivel Handle
- 20978 Nut & Bolt (for Handle)

Snap Clips & Pins

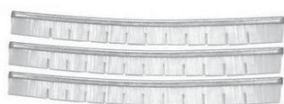
- 20771 Clips, 3-pack
- 20896 Pin, for Vac Handle Each

Vac Wheels

- 20940 Plastic Wheels, 4-pack
- 20996 Wheel w/Bearing Each
- 82712 Wheel, Polyurethane Each

Leaf Bagger Wheels

- 20956 Wheels 3-pack For Leaf Bagger



Telepole Parts

- 20790 Handle
- 20792 EZ Locking Cam

Vac Brushes

- 20884 3-Pack Brushes SPX1068G3

Leaf & Debris Bags

- 20116 Leaf Bag, Large
- 20118 AG Leaf Bag, Small
- 20110 Fine Mesh Bag, Large

Vac Hose Cuffs

- 22546 1-1/2" Standard
- 22549 1-1/2" Swivel
- 22543 1-1/4" AG Standard
- 22541 2" Commercial



Hose Adapters

- 68022 Hose Adapt. 1-1/2" to 1-1/4"
- 20792 Insert Hose Adapt. 1-1/2" Barb.

Hose Clamps

- 22102 Clamp 1" to 2-1/2" Stainless Steel

Elbow Hose Adapters

- 68177 Elbow Adapt. 1-1/2" to 1-1/4"
- 68078 Elbow Adapt. 1-1/2" Smooth

Hose Adapters & Menders

- 58893 Male Adapter (Inside)
- 58887 Female Adapter
- 22400 Hose Mender 1-1/2"

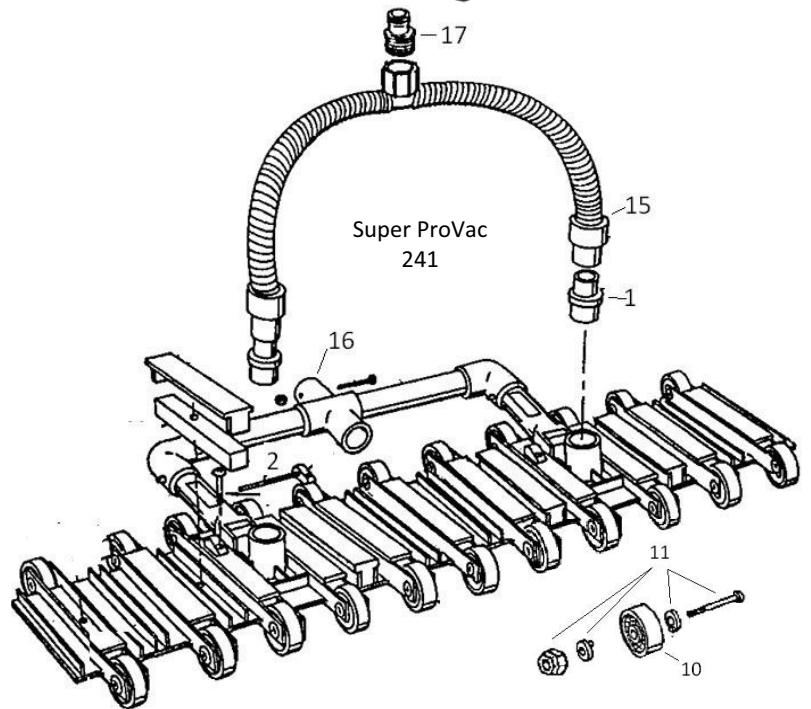
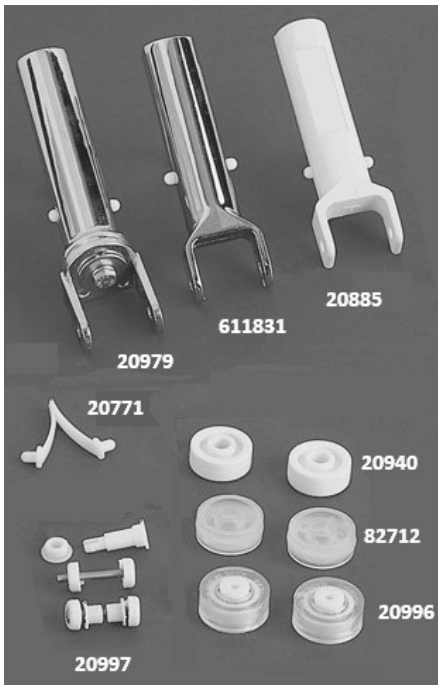
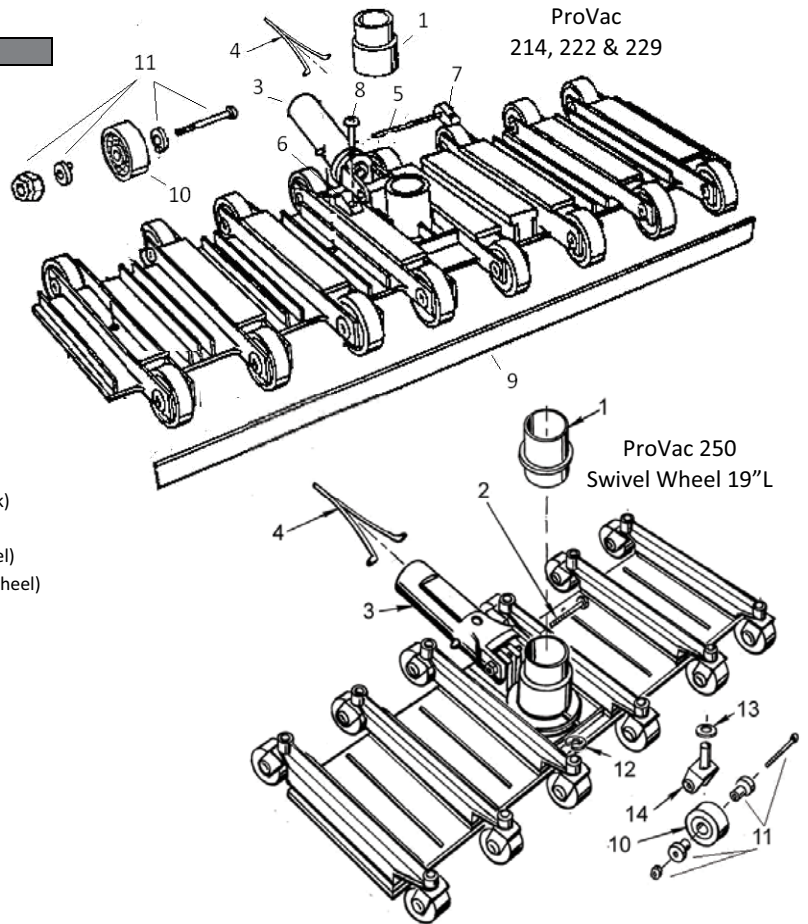


Vacuum Hoses

1-1/4" AG Vacuum Hoses		1-1/2" Vacuum Hoses		2" Vacuum Hoses	
Sku	Size	Sku	Size	Sku	Size
22462	18-ft.	22472	25-ft.	22482	50-ft.
22464	21-ft.	22474	35-ft.	22484	75-ft.
22466	27-ft.	22476	45-ft.	22488	100-ft.
22468	30-ft.	22478	50-ft.		
22470	36-ft.				

Vacuum Heads Pentair Rainbow ProVac Commercial Grade Equipment

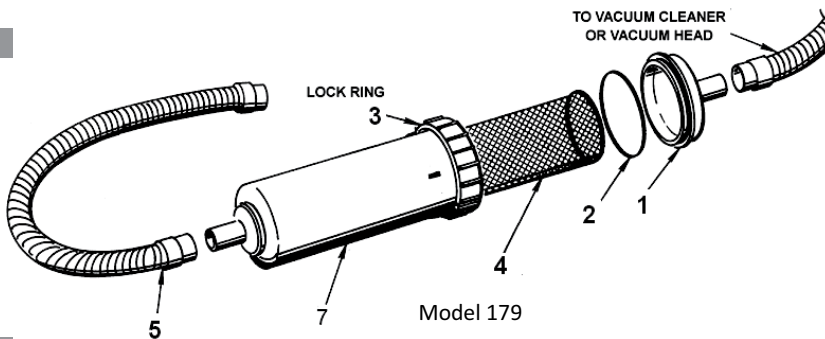
Key	Part#	SKU	Description
1	R201566	20977	Swivel Adapter, Hose
2	R201496	20978	Nut & Bolt (Stainless)
3a	R201476	20885	Vac Handle Kit (Plastic)
3b	R201408	20979	Swivel Vac Handle, Metal
3c	R201421	611831	Metal Handle
4	R22001	20771	Snap Clips (3-pk)
5	R03161	20980	Shaft, Steel Handle
6	R03087	20981	Left Shaft Retainer
7	R03088	20982	Right Shaft Retainer
8	R01023	20983	Screw, Shaft Retainer
9a	R201776	20993	Flex Strip, White 5ft
9b	R201778	20994	Flex Strip, Blue 5ft
10a	R201498	20940	Plastic Wheel Kit (4-pk)
10b	R201557	20996	Wheel ea., w/Ball Bearings
10c	R03022	82712	Wheel ea., Polyurethane
10d	R201500	611830	Swivel Wheel Kit, Plastic (4-pk)
11a	R201456	20997	Axle Assy. (Less Wheel)
11b	R201470	611832	Axle Assy. For 203 (Less Wheel)
11c	R201606	82709	Axle Assy., For Swivel (Less Wheel)
12	R03058	82669	Retainer Clip, Swivel Axle
13	R201626	611893	Washer, Wheel Height Adj.
14	R03026	611832	Swivel Castor For 250
15	R201756	82668	Manifold Assy. For 241
16	R201780	611829	Handle T Assy.
17a	R03120	68123	Insert Adapter, 2"
17b	R03121	22473	Insert Adapter, 1-1/2"



**Leaf Canisters
Pentair Rainbow & Kreepy Krauly**

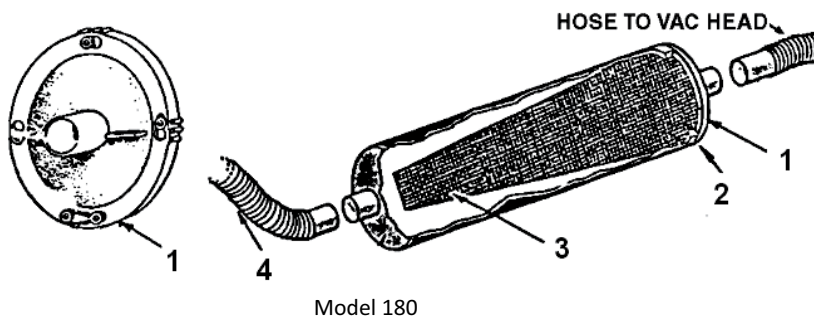
Pentair Leaf Traps Model 179 & 179C

Key	Part#	Sku	Description
1	R211506	611884	Lid
2	O-330	66220	O-Ring, Lid (R172223)
3	R172214	44415	Lock Ring
4a	R211516	20112	Mesh Bag
4b	R211518	611816	Sand/Silt Bag
4c	B-204	605701	Basket, Metal (R211526)
5	R211256	613532	Vac Hose 3-ft.



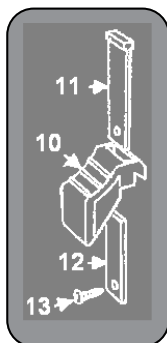
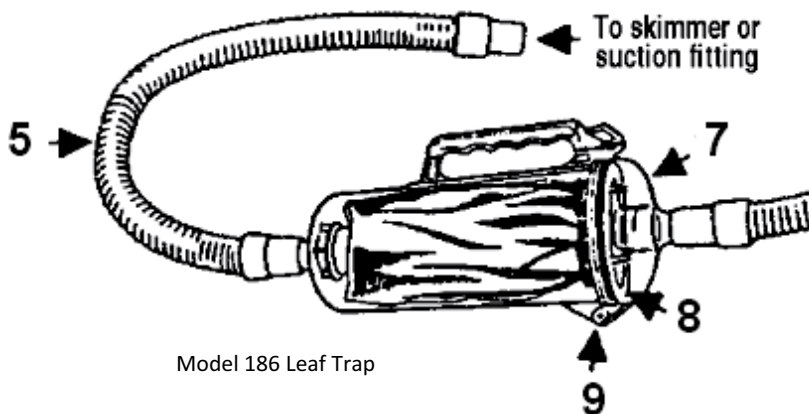
Pentair Leaf Trap Model 180

Key	Part#	Sku	Description
	R211016	20435	Canistar w/Hose
1	R211206	20430	Lid
2	O-108	66380	O-Ring, Lid (R18608)
3a	R211216	20113	Mesh Bag
3b	R211226	611883	Canvas Bag
3c	B-201	20440	Basket, Metal (R211246)
4	R211256	613532	Vac Hose 3-ft.

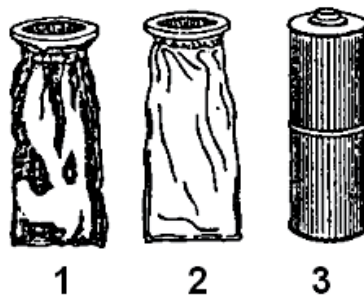


Pentair Kreepy Krauly Leaf Canister Model 186

Key	Part#	Sku	Description
	R211084	62634	Canistar 186-A
1	R211516	20112	Mesh Bag
2a	R211518	611816	Sand/Silt Bag
2b	R211526	605701	Basket, Metal
4a	PRB25-IN	46158	Cartridge, 25 SF (R172653)
4b	PRB50-IN	46159	Cartridge, 50 SF (R172654)
5a	62607	62607	APC Hose 4-ft. (Aqua) each
5b	R211256	613532	Vac Hose 1-1/2" 3-ft.
5c	R211260	613533	Vac Hose 2" x 3-ft.
7a	R18650	20431	Lid, 1-1/2" Port
7b	R18651	611815	Lid, 2" Port
8-13	R211600	613432	Latch Kit (Items #8-13)
8	R172223	66220	O-Ring, Lid
9	R18654	611814	Pin, Handle
10	R18648	20432	Latch, Handle
11	R18655	611813	Latch Spring
12	R18656	611812	Latch Retainer
13	R01045	608844	Screw, Latch



Latch Kit (#11-13)



Pool & Spa Light Bulbs
Replacement Guide



R40 Pool Reflector		G30 Pool Globe		R20-R66 Spa Reflectors		Halogen Capsule & MR16 12V		Halogen Mini-Can 120V		Halogen Clip-In T3 Tube 120V	
SKU	Description	SKU	Description	SKU	Description	SKU	Description	SKU	Description	SKU	Description
54050	12V 300W	54053	120V 400W	54066	PAR16 120V 60W	603637	BPQ50 12V 50W	54046	120V 100W Thd.	611965	120V 300W (4-11/16" L)
603584	120V 300W			603626	R20 12V 100W	603636	BPQ100 12V 100W	54047	120V 250W Thd.	54045	120V 500W (4-11/16" L)
54054	120V 400W			54052	R30 12V 100W	603632	MR16 12V 75W	54042	120V 100W Bay.	621982	120V 130W (3-1/16" L)
54062	120V 500W			622430	MR16 12V 35W	54043	120V 100W Bay.				

LED Replacement Light Bulbs



- Brightest Color Changing Lamp
- Screws Into A Standard Socket
- 3x Brighter Than 2G
- Brighter Light Ideal for Larger Pools
- Works With All Types of Pool Finishes
- 50,000 Hour Lamp Life

Color Splash 3G (Left)
Color LED Light Bulb

- 54070 3G Pool 120V
- 54072 3G Spa 120V
- 54074 3G Pool 12V
- 54076 3G Spa 12V

Color Splash 2G (Right)
Color LED Light Bulb

- 620818 2G Pool 120V
- 620816 2G Spa 120V
- 620819 2G Pool 12V
- 620817 2G Spa 12V



Purewhite2 (Lower Right)
White LED Light Bulb

- Equivalent to 45W 400W Bulb
- 54082 PW2 Pool 120V
 - 54112 PW2 Mini Spa 120V
 - 54084 PW2 Large Spa 120V
 - 54081 PW2 Pool 12V
 - 54113 PW2 Mini Spa 12V
 - 54083 PW2 Large Spa 12V

Silicone Lens Gaskets

- Replacement Gaskets (Below)
- 64501 For Pentair Lights
 - 64506 For Hayward Lights



Purewhite2 LED Bulb

Light Fixture Lens & Gaskets

Manufacture	Model	SKU	Description
Hayward	Astrolite	64520	Gasket, Lens
		54461	Light Lens, Clear
		54473	Lens Cover, Blue
		54471	Lens Cover Kit (4-colors)
Pentair (American)	Amerilite	64500	Gasket, Lens
		54464	Light Lens, Clear
		54540	Wedge Anchor, Retainer
		54472	Lens Cover, Blue
		54474	Lens Cover, Red
54480	Lens Cover Kit (4 colors)		
Pentair (American)	Aqualight	64505	Gasket, Lens
		611148	Light Lens, Clear
		54476	Lens Cover, Blue
54479	Lens Cover, Red		
Sta-Rite	Swimquip	64563	Gasket, Lens
		54482	Light Lens, Clear



54540
Light Wedge



Light Lens Covers
& Gaskets

**Pool & Spa Light Fixtures
Replacement Parts Guide**



Hayward Astrolite (Pool)



Hayward Duralite



Hayward Elite (AG Pool)

Sku	Description	Sku	Description	Sku	Description
603576	Face Rim, Stainless Steel	603578	Face Rim, Smooth Plastic	615052	Light Lens
603577	Face Rim, Plastic	603611	Housing Clamp w/Bolt & Nut	615053	Gasket, Lens
54540	Lock-screw Wedge, Face Rim	54461	Light Lens, 7-9/16" Dia.	626409	Lens Cover Kit (3-Colors)
603573	Lock-screw, Face Rim	64520	Gasket, Lens	615054	Light Bulb, 12V 50W MR16
603575	Clamp w/Bolt & Nut	54540	Lock-screw Wedge, Face Rim		
54461	Light Lens, 7-9/16" Dia.	54471	Lens Cover Kit (4-Colors)		
64520	Gasket, Lens	54473	Lens Cover, Blue		
54050	Light Bulb, 12V 300W R40	54050	Light Bulb, 12V 300W R40		
54053	Light Bulb, 120V 400W Globe	603584	Light Bulb, 120V 300W R40		
603584	Light Bulb, 120V 300W R40	54054	Light Bulb, 120V 400W R40		
54054	Light Bulb, 120V 400W R40	54062	Light Bulb, 120V 500W R40		
54062	Light Bulb, 120V 500W R40				
54471	Lens Cover Kit (4-Colors)				
54473	Lens Cover, Blue				



Pentair AquaLuinator (AG Pool)



Hayward Astrolite II (Spa)



Pentair AquaLumin

Sku	Description	Sku	Description	Sku	Description
622351	Lens Cover Kit (Blue & Green)	603570	Face Rim, Stainless Steel	630330	Face Ring, White (Aqualumin III)
603542	Lens Cover, Red	603569	Light Lens, 3-5/8" dia.	603541	Face Ring, White (Aqualumin II)
622285	Lens Cover, Blue	608605	Gasket, Lens	609013	Screw, Retaining
54049	Bulb Assy.	603568	Lock-screw, Face Rim	630331	Lens Replacement Kit (Aqualumin III)
66650	O-Ring, Bulb Assy.	603567	Lens Cover Kit (Blue & Red)	603540	Light Lens 7-3/8" dia. (Aqualumin II)
603590	Flow Director	603626	Light Bulb, 12V 100W R20	603539	Gasket, Lens
603589	Wall Fitting, Threaded	54066	Light Bulb, 120V 66W PAR16	622650	Bulb Kit, 12V 100W (Aqualumin III)
603591	Fitting Body	603632	Light Bulb, 12V 75W MR16	609012	Sealing Screw (each) 10-required
603588	Nut, Fitting	54046	Light Bulb, 120V 100W Halogen	603489	Lens Cover Kit (4-Colors) (Aqualumin II)
608641	Gasket, Liner (ea.)	54047	Light Bulb, 120V 250W Halogen	603538	Lens Cover, Blue (Aqualumin II)
603547	Plug Cap (Red)			603537	Lens Cover, Red (Aqualumin II)
54702	Fountain Attachment			606603	Light Bulb, 12V 150W T3 3-1/4" Tube
54700	Pool Cleaner Attachment			621982	Light Bulb, 120V 250W T3 3-1/16" Tube
603495	Fitting Attachment			612999	Light Bulb, 120V 250W T3 3-1/4" Tube



Pentair Amerilite	
SKU	Description
603552	Face Rim, Stainless Steel
603551	Wire Clamp Assy., Face Ring
613526	Face Ring Cover, Plastic White
613525	Face Ring Cover, Plastic Grey
613524	Face Ring Cover, Plastic Black
54540	Lock-screw Wedge, Face Rim
54680	Locking Screw w/Gasket
54415	Brass Clip (each)
54513	Screw, Clip (each)
54464	Light Lens 8-3/8" dia.
64500	Gasket, Light Lens
64501	Silicone Gasket, Light Lens
54480	Lens Cover Kit (4-Colors)
54472	Lens Cover, Blue
54474	Lens Cover, Red
54052	Light Bulb, 12V 100W R30
54050	Light Bulb, 12V 300W R40
54053	Light Bulb, 120V 400W Clear Globe
603584	Light Bulb, 120V 300W R40
54054	Light Bulb, 120V 400W R40
54062	Light Bulb, 120V 500W R40

Pentair SAM/SAL Spectrum Amerilite	
SKU	Description
Pentair SAM Spectrum Amerilite	
603552	Face Ring, Stainless Steel
613526	Face Ring, Plastic White
613525	Face Ring, Plastic Grey
613524	Face Ring, Plastic Black
54680	Locking Screw w/Gasket
54540	Lock-screw Wedge, Face Rim
603551	Wire Clamp Assy.
613539	Light Lens
64500	Gasket, Lens
54683	Retaining Nut
603632	Light Bulb 12V 75W MR
Pentair SAL Spa Spectrum Aqualite	
611018	Face Ring, Stainless Steel
613578	Lock-screw w/Gasket
611602	Wire Clamp Assy.
622476	Light Lens 4-1/16" dia.
64505	Gasket, Lens
622575	Light Bulb, 35W MR8
622419	Light Bulb, 35W MR11

Pentair AquaLight/SpaBrite	
SKU	Description
611018	Face Ring, Stainless Steel
54680	Locking Screw w/Gasket
54540	Locks-crew Wedge, Face Rim
611602	Wire Clamp Assy.
611148	Light Lens 4" dia.
64505	Gasket, Lens
608577	Silicone Gasket
54476	Lens Cover, Blue
54479	Lens Cover, Red
613538	Lens Cover Kit (6-Colors)
603632	Light Bulb, 12V 75W MR16
603626	Light Bulb, 12V 100W R20
54066	Light Bulb, 120V 66W PAR16
54046	Light Bulb, 120V 100W Halogen Thd.
54047	Light Bulb, 120V 250W Halogen Thd.
54042	Light Bulb, 120V 100W Halogen Bay.
54043	Light Bulb, 120V 250W Halogen Bay.



Sta-Rite Swimquip	
SKU	Description
54482	Light Lens 7-1/4" dia.
64563	Gasket, Lens
54052	Light Bulb, 12V 100W R30
54050	Light Bulb, 12V 300W R40
603584	Light Bulb, 120V 300W R40
54054	Light Bulb, 120V 400W R40
54062	Light Bulb, 120V 500W R40

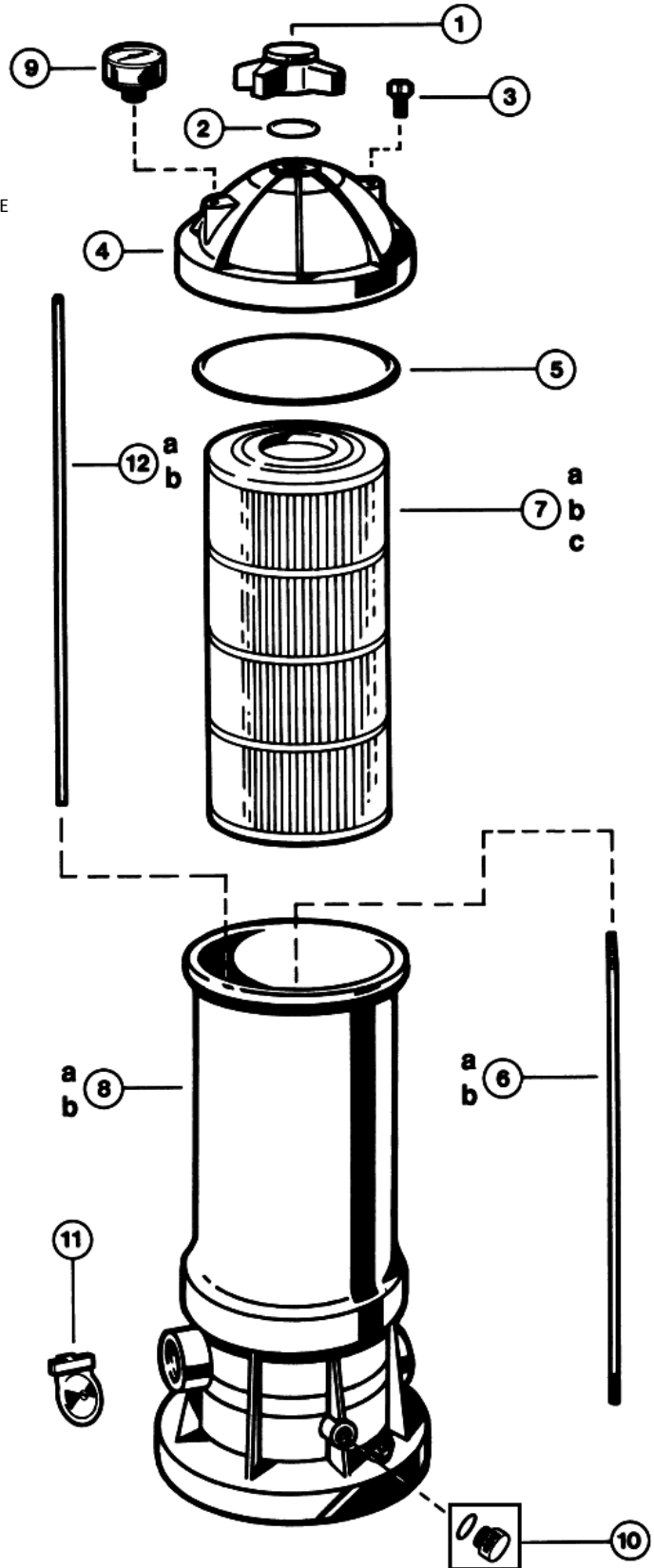
Sta-Rite SunBrite	
SKU	Description
603634	Lens Cover, Blue
603633	Lens Cover, Red
603637	Light Bulb 50W 12V Halogen
603636	Light bulb 100W 12V Halogen
611965	Light Bulb 300W 120V Halogen
54045	Light Bulb 500W 120V Halogen
603635	Light Lens
622661	Gasket Repair Kit Includes Clamp
621017	Face Ring Kit w/Gasket & Clamp
609149	Retaining Screw

Sta-Rite SunGlow	
SKU	Description
609149	Lockscrew, Face Frame
603635	Light Lens, Clear
608704	Gasket, Lens
603620	Clamp, Fixture
54050	Light Bulb, 12V 300W Refl.
603584	Light Bulb, 120V 300W Refl.
54062	Light Bulb, 120V 500W Refl.

Hayward Cartridge Filters
 Star-Clear II
 C800, C1100 & C1500

Key	Part#	SKU	Description
1	CX800G	44349	Locking Knob
2	O-69	66223	O-Ring, Knob (CX250Z7)
3	ECX1322A	44007	Air Release Valve
4	CX800C	44199	Tank Lid
5	O-366	64322	O-Ring, Lid (CX800F)
6a	CX800Z2	603105	Tie Rod (C800)
6b	CX1100Z2	603104	Tie Rod (C1100)
7a	PA80	46122	Cartridge Element (C800 & C1500**) CX800RE
7b	PA100	46123	Cartridge Element (C1100) CX1100RE
—	CX1500C	44350	Cartridge Adapt. (C1500**)
7c	CX1100DB	46712	Bag, Separation Tank
8a	CX800AA	CALL	Filter Tank Body – 1 1/2" (C800)
8b	CX1500AA	CALL	Filter Tank Body – 1 1/2" (C1500)
9	44511	44511	PSI Gauge (ECX27091)
10	CX250Z14A	16333	Drain Plug w/O-Ring
11	CX800HA	603116	Check Valve (Optional)
12a	CX800Z4	44891	Air Relief Tube (C800)
12b	CX1100Z4	44892	Air Relief Tube (C1100)

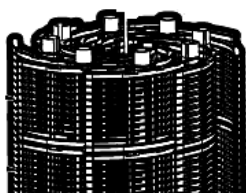
**For C1500 Use.2x C800 Cartridges.



Key	Part#	SKU	Description
1	CCX1000V	44379	Air Release Valve
2	DEX2420MAR2	44877	Manual Air Release Assy.
3	44511	44511	PSI Gauge (ECX271281)
4	O-514 KIT	66206	O-Ring Kit, Air Valve (DEX2420Z8A)
5	CCX1000N	614661	Nut, Air Valve
6a	DEX2420BTC	44871	Tank Lid, 24SF
6b	DEX3620BTC	44872	Tank Lid, 36SF
6c	DEX4820BTC	613077	Tank Lid, 48SF
6d	DEX6020BTC	44874	Tank Lid, 60SF
6e	DEX7220BTC	44875	Tank Lid, 72SF
8	DEX2421JKIT	44878	Tank Clamp Assy. (2009-)
9	DEX2421J2	44879	Nut & Bolt, Clamp (2009-)
11a	DEX2422Z2	44880	Metal Reinforced Seal (2009-)
11b	O-429	66269	O-ring, Tank (Pre-2009) DEX2400K
12	ECX176865	609164	Nut, 5/16" -18
13	ECX1109	40223	Washer, 5/16"
14	DEX2400C	44455	Top Manifold
15a	DEX2400R	44640	Retaining Rod, 24SF
15b	DEX3600R	44651	Retaining Rod, 36SF
15c	DEX4800R	44642	Retaining Rod, 48SF
15d	DEX6000R	44643	Retaining Rod, 60SF
15e	DEX7200R	603100	Retaining Rod, 72SF
16	DEX2400CR	44020	Flex Air Release Tube
17	O-424	66272	O-Ring, Outlet Elbow (DEX2400Z5)
18a	DEX2420EA	613111	Outlet Elbow, 24SF
18b	DEX3620EA	613112	Outlet Elbow, 36SF
18c	DEX4820EA	613113	Outlet Elbow, 48SF
18d	DEX6020EA	613109	Outlet Elbow, 60SF
18e	DEX7220EA	613110	Outlet Elbow, 72SF
20a	FC9320	46500	Full Grid, 24SF (7 Req.) DEX2400DA
20b	FC9330	46502	Full Grid, 36SF (7 Req.) DEX3600DA
20c	FC9340	46504	Full Grid, 48SF (7 Req.) DEX4800DA
20d	FC9350	46506	Full Grid, 60SF (7 Req.) DEX6000DA
20e	FC9360	46508	Full Grid, 72SF (7 Req.) DEX7200DA
21a	FC9420	46510	Partial Grid, 24SF (DEX2400DS)
21b	FC9430	46512	Partial Grid, 36SF (DEX3600DS)
21c	FC9440	46514	Partial Grid, 48SF (DEX4800DS)
21d	FC9450	46516	Partial Grid, 60SF (DEX6000DS)
21e	FC9460	46518	Partial Grid, 72SF (DEX7200DS)
22	DEX2420GA	613095	Inlet Elbow
23	DEX2420T	613069	Grid Spacer (24SF Only)
24	DEX2400H	44280	Element Spreader
25	SX220Z2	66242	O-Ring, Bulkhead
26	DEX2420F	613052	Bulkhead Fitting
27	DEX2420ATC	44876	Tank Bottom
28	SP1022C	44208	Drain Plug, 1-1/2" w/O-Ring
30	O-64	66253	O-Ring, Union (SX200Z4)

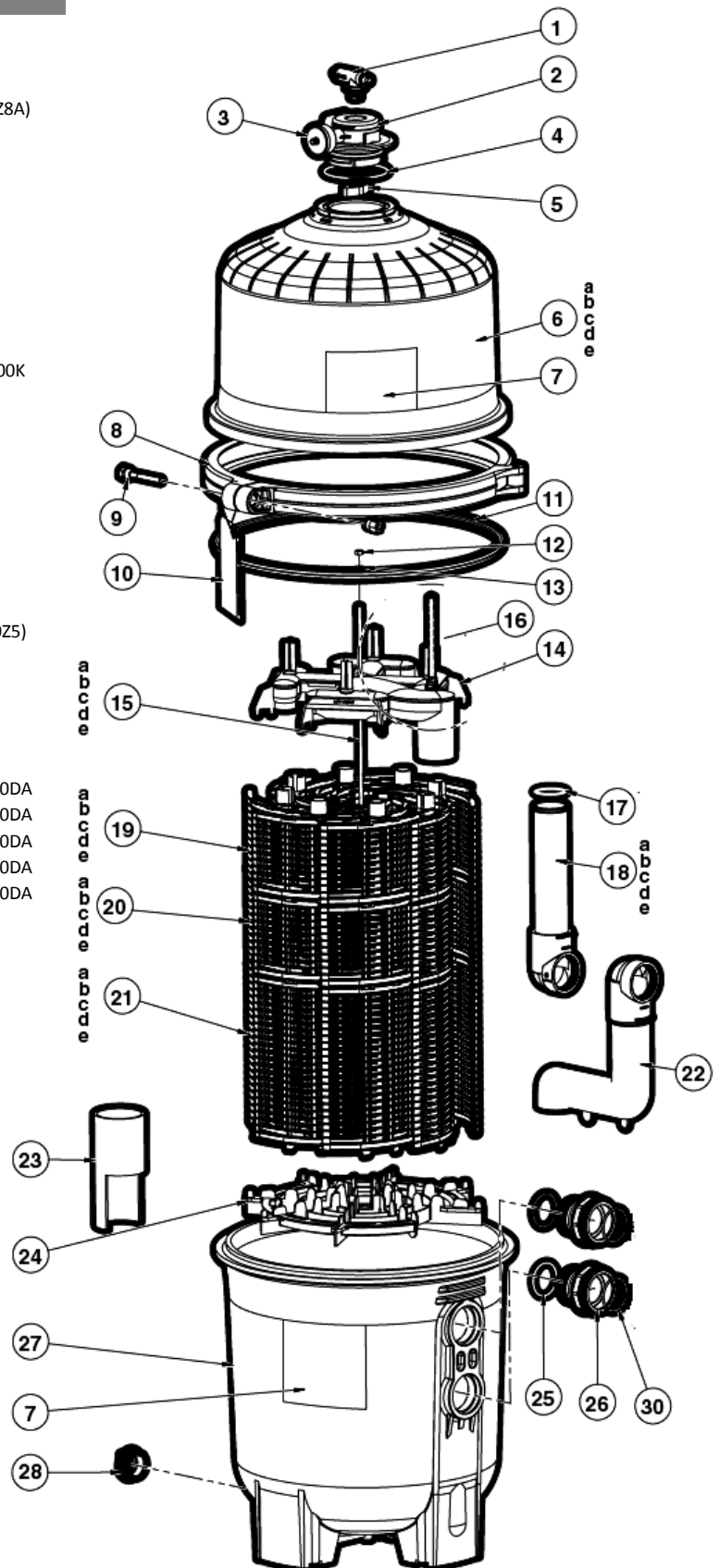
NOTE:

Pre-2010 Tank Clamps (DEX2400J) are no longer available replace entire clamp assembly and seal ring. Current seal ring and previous tank O-ring are not interchangeable. Use item# 8 (SKU-44878) above

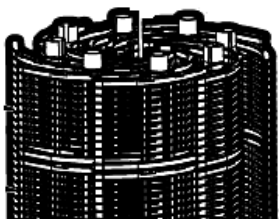
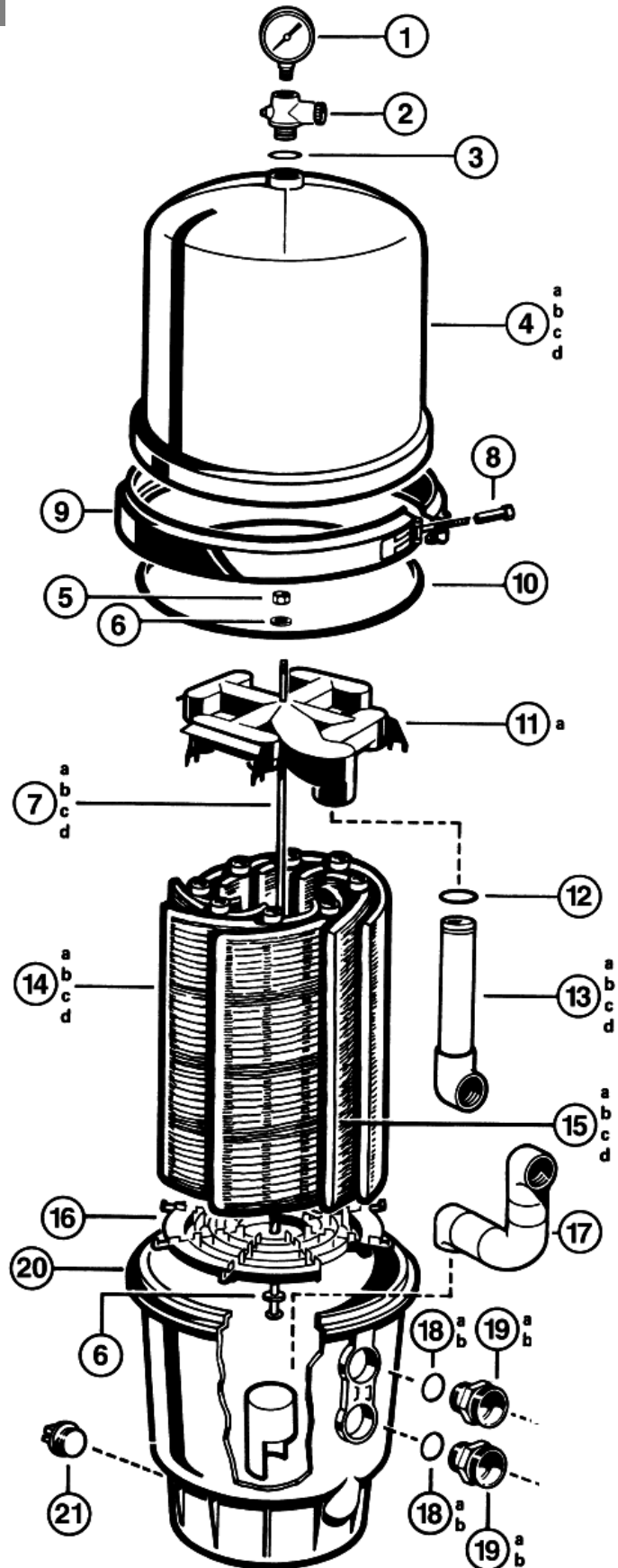


- 8-PACK Replacement Elements Sets**
 7-Full Grids + 1-Partial Grids
- 46605 24 SF
 - 46606 36 SF
 - 46607 48 SF
 - 46608 60 SF
 - 46609 72 SF

Pre-2010 Tank Clamps



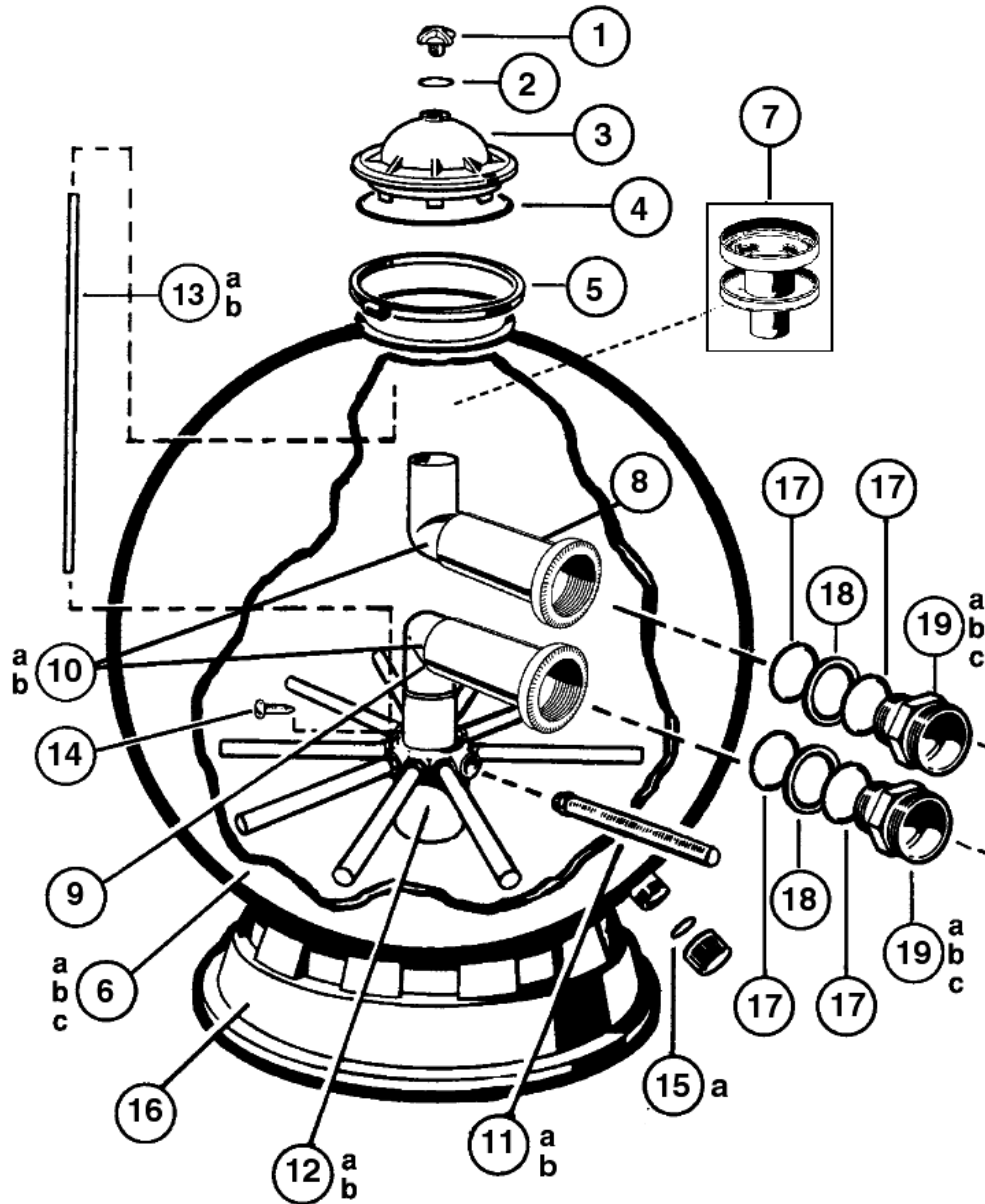
Key	Part#	Sku	Description
1	44510	44510	PSI Gauge (ECX270861)
2	DEX2400S	44525	Air Release Valve & Adapter
3	O-27	66205	O-Ring, Air Valve (SX200Z5)
4	Varies by Model	NLA	Discontinued-Tank Top
5	ECX176865	609164	Nut 5/16", Retaining Rod
6	ECX1109	40223	Washer 5/16", Retaining Rod
7a	DEX2400R	44640	Retaining Rod, DE2400
7b	DEX3600R	44651	Retaining Rod, DE3600
7c	DEX4800R	44642	Retaining Rod, DE4800
7d	DEX6000R	44643	Retaining Rod, DE6000
8	DEX2400JN	NLA	Discontinued-Nut, Clamp
9	DEX2400J	NLA	Discontinued-Tank Clamp
10	O-429	66269	O-ring, Tank Top (DEX2400K)
11a	DEX2400C	44455	Manifold
11b	DEX2400CR	44020	Flex Air Release Sock
12	O-424	66272	O-ring, Outlet Elbow (DEX2400Z5)
13a	DEX2400EAB	44237	Outlet Elbow, 24SF (2007-)
13b	DEX3600EAB	602553	Outlet Elbow, 36SF (2007-)
13c	DEX4800EAB	602552	Outlet Elbow, 48SF (2007-)
13d	DEX6000EAB	602551	Outlet Elbow, 60SF (2007-)
14a	FC9320	46500	Full Grid, 24SF (7 Req.) DEX2400DA
14b	FC9330	46502	Full Grid, 36SF (7 Req.) DEX3600DA
14c	FC9340	46504	Full Grid, 48SF (7 Req.) DEX4800DA
14d	FC9350	46506	Full Grid, 60SF (7 Req.) DEX6000DA
15a	FC9420	46510	Partial Grid, 24SF (DEX2400DS)
15b	FC9430	46512	Partial Grid, 36SF (DEX3600DS)
15c	FC9440	46514	Partial Grid, 48SF (DEX4800DS)
15d	FC9450	46516	Partial Grid, 60SF (DEX6000DS)
16	DEX2400H	44280	Spreader, Grid
17	DEX2400GAB	602561	Inlet Elbow
18a	O-246	608683	O-ring, Bulkhead (1996-) SX360Z1
18b	O-43	66250	O-ring, Bulkhead (Pre-1995) SX200Z3
19a	DEX360FB	602580	Bulkhead Fitting (1997-)
19b	DEX360F	44093	Bulkhead Fitting (Pre-1996)
20	DEX2400A1T	NLA	Discontinued-Tank Bottom
21	SP1022C	44208	Drain Plug w/O-ring 1-1/2"
22	O-64	66253	O-ring, Backwash Valve (SX200Z4)



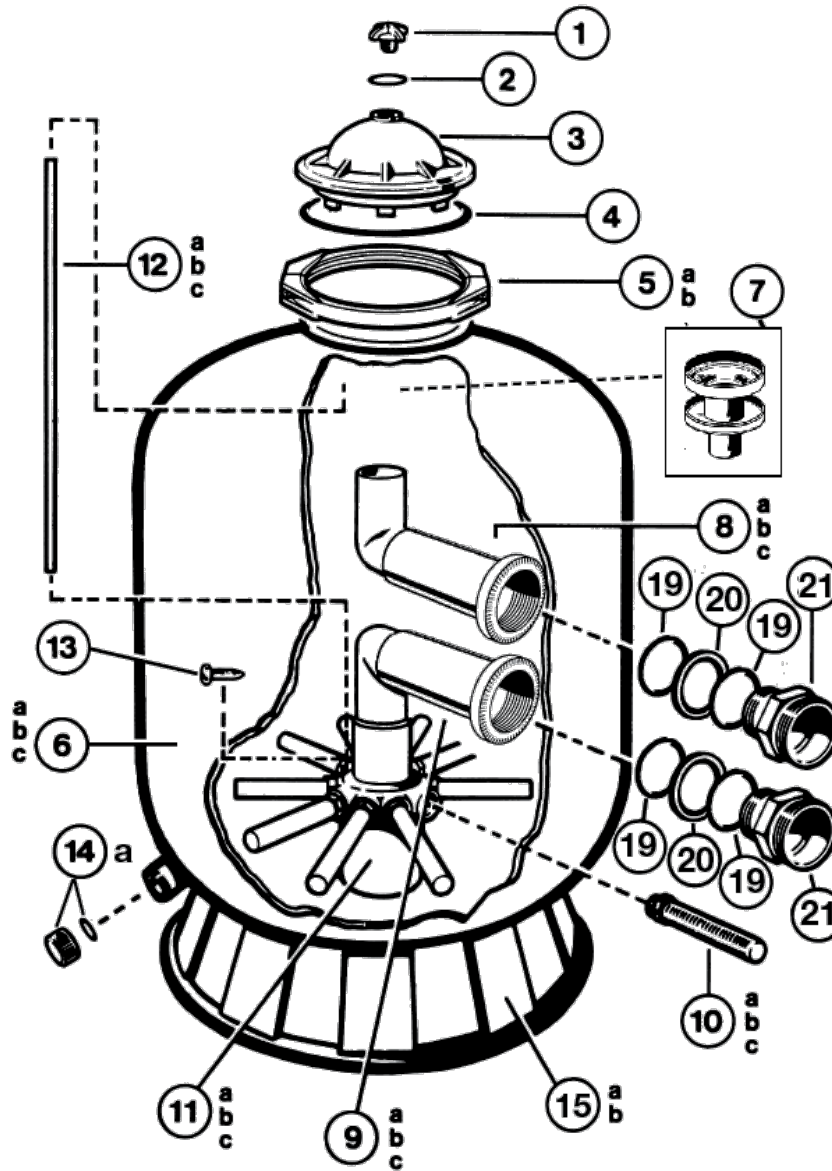
8-PACK Replacement Elements Sets

7-Full Grids + 1-Partial Grids

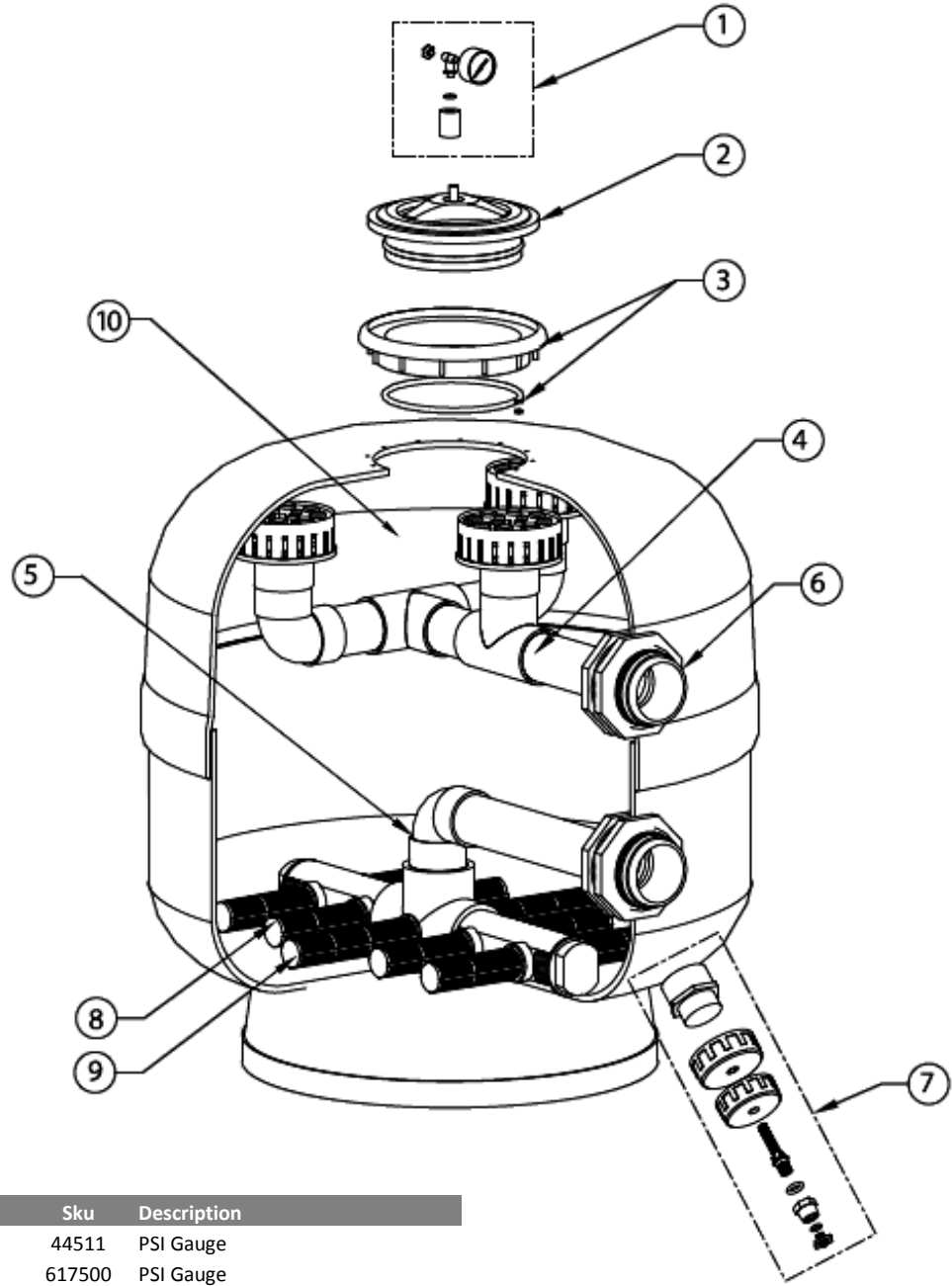
46605	24 SF
46606	36 SF
46607	48 SF
46608	60 SF
46609	72 SF



Key	Part#	SKU	Description	Key	Part#	SKU	Description
1a	SX200G	44025	Air Release Cap	11b	SX310HA	623779	Lateral (Pre-2005)
1b	DEX2400S	44525	Air Release Valve	12a	SX311DA	601494	Folding Lateral Holder, S311 (1997-)
*	ECX270861	44511	PSI Gauge (for MPV Valve)	12b	SX242MA3	602598	Folding Lateral Holder, S360
*	ECX270861	44510	PSI Gauge (for Air Release Valve)	13a	CX1100Z4	44892	Air Tube, S311
2	O-27	66205	O-ring, Cap (SX200Z5)	13b	SX360Z2	602583	Air Tube, S360
3	SX244K	44193	Cover	14	SX200Z2	44623	Screw, Air Tube
4	O-263	66282	O-ring, Cover (GMX600F)	15a	SX180LA	44204	Drain Cap & Screen Assy.
5	SX310N	44821	Flange Clamp, Cover	15b	SX180HG	44202	Drain Cap (Pre-2005)
6a	SX311AA2FW	602567	Tank, S311 (1996-)	—	SX200H	44624	Screen, Bottom Drain (Pre-2005)
6b	SX360AA2FW	613130	Tank, S360 (1999-)	16	SX310J	602578	Filter Support Stand
7	SX244G	44188	Top Diffuser Assy.	17	O-246	608683	O-ring, Bulkhead (1995-) SX360Z1
8	SX311CD1FW	602590	Top Elbow, S311 (1996-)	18	SX360E	608381	Spacer, Bulkhead (1995-)
9	SX311CD2FW	602585	Bottom Elbow, S360 (1996-)	19a	SX244P	602576	Bulkhead Fitting (1995-)*
10a	SX360CDFW	613068	Elbow Assy., S360 (1999-)	19b	SX311F	602581	*Bulkhead Fitting, S360 (Pre-1999)
10b	SX360CD	602579	Elbow Assy., S360 (Pre-1999)	19c	DEX360F	44093	*Bulkhead Fitting, S311 (Pre-1995)
11a	SX310HN	44359	Lateral	21	O-64	66253	O-ring, Backwash Valve (SX200Z4)

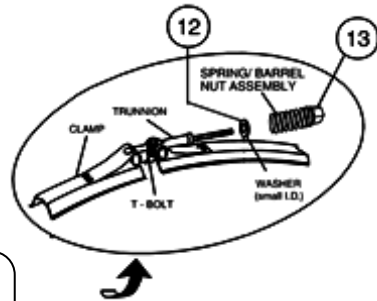
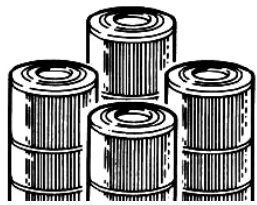
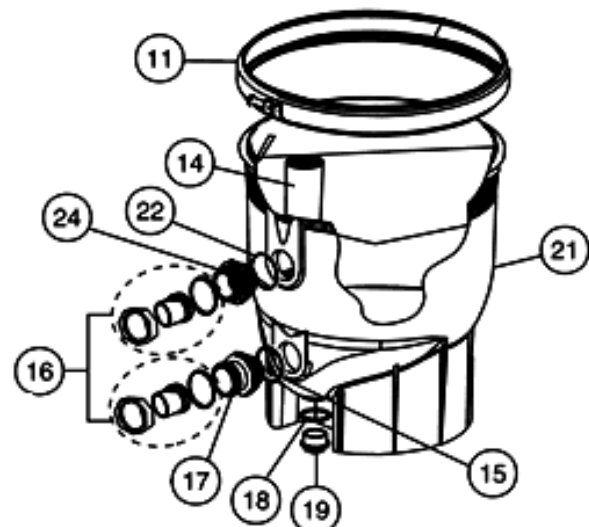
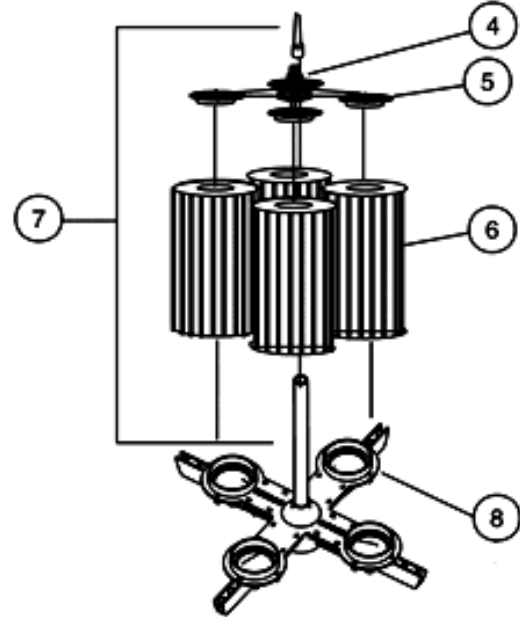
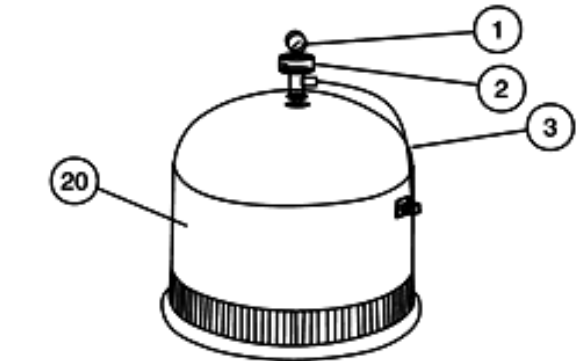


Key	Part#	Sku	Description	Key	Part#	Sku	Description
1	SX200G	44025	Air Release Cap	10c	SX310HN	44359	Lateral, S310
2	O-27	66205	O-ring, Cap (SX200Z5)	11a	SX242MA	44361	Folding Lateral Holder, S210
3	SX244K	44193	Flange Cover	11b	SX242MA1	44371	Folding Lateral Holder, S244
4	O-263	66282	O-ring, Cover (GMX600F)	11c	SX242MA2	602597	Folding Lateral Holder, S310
5a	GMX600NM	44816	Flange Clamp	12a	CX3000Z2	44896	Air Tube, S210
5b	SX310N	44821	Flange Clamp, S310S	12b	CX1100Z4	44892	Air Tube, S244
6a	SX210AA2FW	602570	Filter Tank, S210 (1997-)	12c	SX200Z1	601502	Air Tube, S310
6b	SX244AA2FW	602569	Filter Tank, S244 (1996-)	13	SX200Z2	44623	Screw, Air Tube
6c	SX310AA2FW	602568	Filter Tank, S310 (1996-)	14a	SX180LA	44204	Drain Cap & Screen
7	SX244G	44188	Top Diffuser Assy.	14b	SX180HG	44202	Drain Cap (Pre-2005)
8a	SX210CD1FW	602591	Top Elbow, S210 (1996-)	—	SX200H	44624	Screen, Drain Cap (Pre-2005)
8b	SX244CD1FW	602589	Top Elbow, S244 (1996-)	15a	SX200J	601498	Filter Support Stand, S210-244
8c	SX310CD2FW	602584	Top Elbow, S310 (1996-)	15b	SX310J	602578	Filter Support Stand, S310
9a	SX210CD2FW	602586	Bottom Elbow, S210 (1996-)	17	O-64	66253	O-ring, Backwash Valve (SX200Z4)
9b	SX244CD2FW	602587	Bottom Elbow, S244 (1996-)	19	O-246	608683	O-ring, Bulkhead Fitting (SX360Z1)
9c	SX310CD2FW	602584	Bottom Elbow, S310 (1996-)	20	SX360E	608381	Spacer, Bulkhead Fitting
10a	SX200QN	44366	Lateral, S210	21	SX244P	602576	Bulkhead Fitting (1996-)
10b	SX240DN	44369	Lateral, S220-S244				



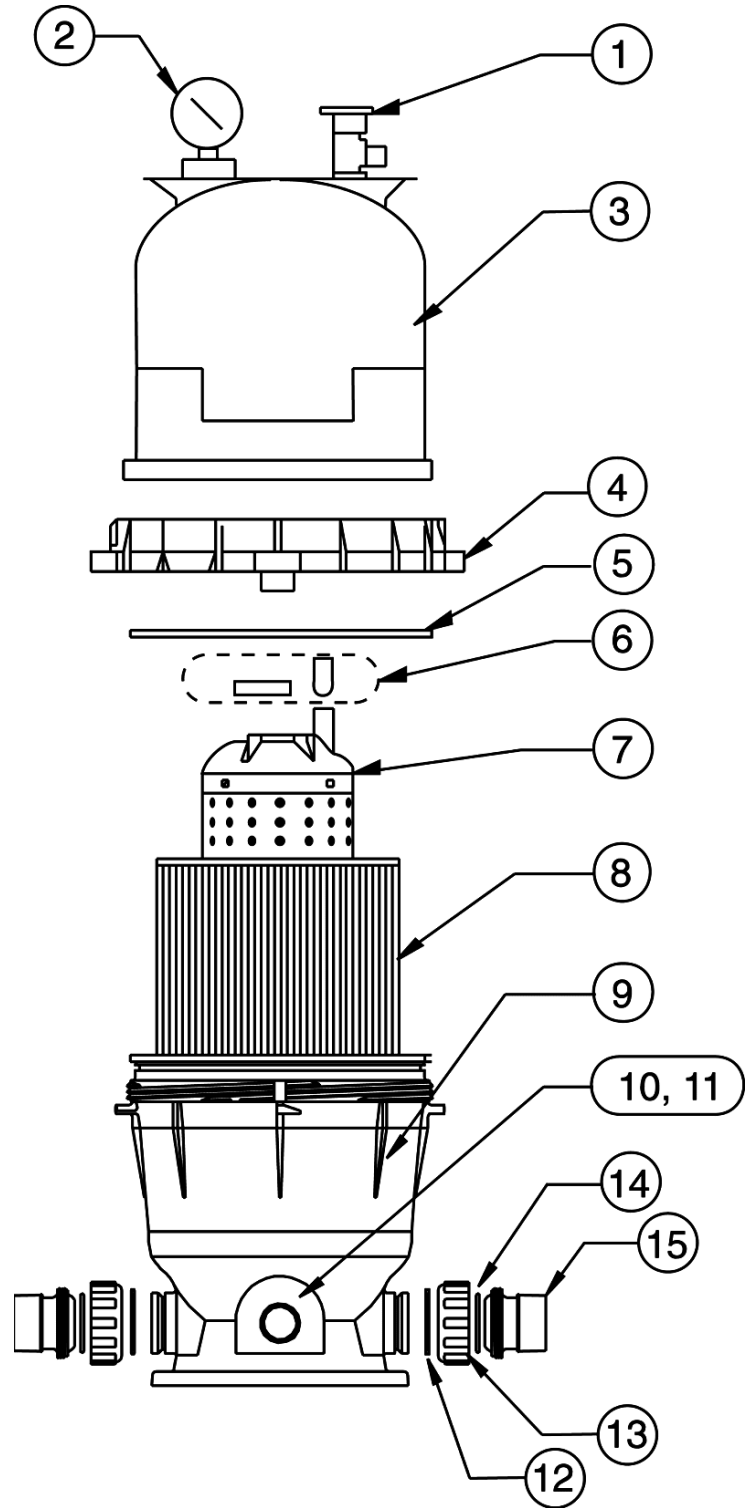
Key	Part#	Sku	Description
1a		44511	PSI Gauge
1b	HCXF2780001	617500	PSI Gauge
2	HCXF2780002	617501	Filter Lid
3	HCXF2780003	617502	Neck Assy.
4	HCXF2780243	617503	Diffuser Assy. HCF302
	HCXF2785743	617504	Diffuser Assy. HCF362
	HCXF1645143	617505	Diffuser Assy. HCF363
5	HCXF2780244	617506	Lateral Manifold HCF302
	HCXF2785744	617507	Lateral Manifold HCF362
	HCXF1645144	617508	Lateral Manifold HCF302
6	BFA1020CES	617509	Bulkhead Fitting HCF302-362
	BFA1030CES	617510	Bulkhead Fitting HCF363
7	HCXF2780004	617511	Drain Assy.
8	HCXF27802LAT	617512	Lateral HCF302
	HCXF27857LAT	617513	Lateral HCF362
	HCXF16451LAT	617514	Lateral HCF363
9	HCXF30777	617515	Lateral Kit HCF362-363

Key	Part#	Sku	Description
1	44510	44510	PSI Gauge (190058)
2	98209800	44016	Air Release Valve, Manual
4	178616	602172	Compression Spring
5a	170026	602167	Top Manifold, 240SF
5b	170027	602166	Top Manifold, 320-520SF
6a	PCC60	46055	Cartridge, 60SF for 240 (R173572)
6b	PCC80	46056	Cartridge, 80SF for 320 (R173573)
6c	PCC105	46058	Cartridge, 105SF for 420 (R173576)
6d	PCC130	46060	Cartridge, 130SF for 520 (R173578)
7a	170030	602171	Air Tube, 240
7b	170029	602170	Air Tube, 320
7c	170028	602169	Air Tube, 420
7d	178583	602168	Air Tube, 520
8a	170040	622516	Bottom Manifold (2000-)
8b	170035	602173	Bottom Manifold (1998-2000)
10	39010200	64900	O-ring, Tank
11	190003	602419	Tank Clamp
12a	53006300	44935	Washer, Clamp
12b	195610	602303	Washer, Small
13	53108900	602971	Spring Barrel & Nut
14	190039	602174	Bulkhead Assy.
15	86006900	608504	O-ring, Bulkhead
16a	271096	44921	Bulkhead Union
16b	270004	622532	Bulkhead Union 1-1/2 - 2", Black
16c	270100	631253	Bulkhead Union 2 - 2-1/2", Black
17	170035	602173	Bottom Outlet Pipe
18a	191474	608158	O-ring, Drain Plug (2005-)
18b	O-71	66011	O-ring, Drain Plug (2008-2005) 510050
18c	86300500	608549	Gasket, Drain Cap (Pre-1998)
19a	86202000	44208	Drain Plug w/O-ring, 1-1/2"
19b	51516200	602251	Drain Cap
19c	190030	622420	Drain Plug (2005-)
20a	170023	622724	Tank Top, 240
20b	170024	622747	Tank Top, 320
20c	178581	622764	Tank Top, 420
20d	178582	622784	Tank Top, 520
21	178578	622817	Tank Bottom
22a	O-409	66495	O-ring, Outlet Pipe (192320)
22b	86006900	608504	O-ring, Bulkhead (Pre-1998)
23	195339	622559	Spacer Ring, (2005-)
24	194801	44182	Bulkhead Adapter

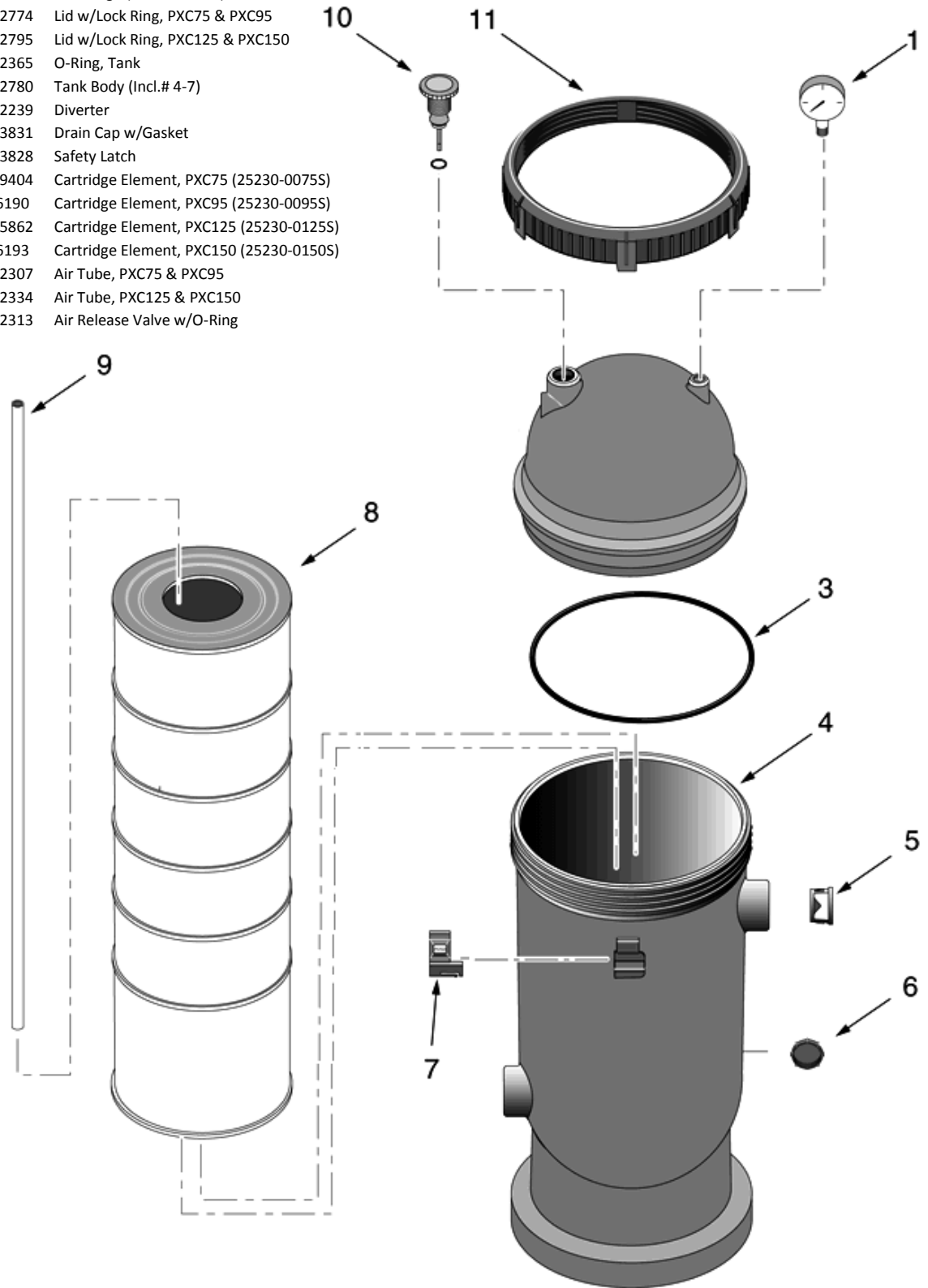


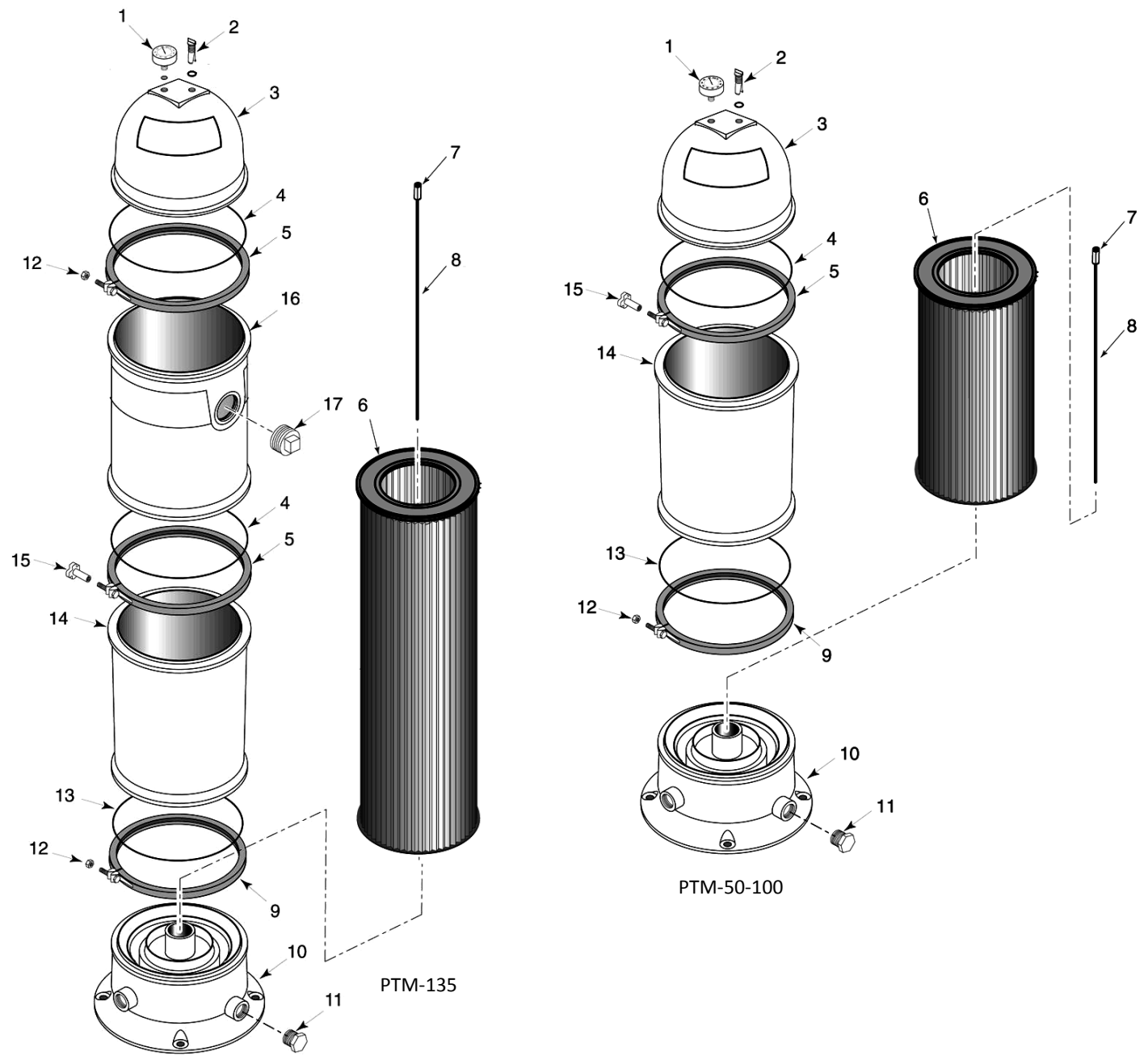
- 4-PACK Replacement Elements Sets
- 46616 CC Plus 240
 - 46617 CC Plus 320
 - 46618 CC Plus 420
 - 46619 CC Plus 520

Key	Part#	SKU	Description
1	98209800	44016	Air Release Valve, Manual
2	44510	44510	PSI Gauge (190058)
3a	178553	602231	Lid, 50 & 100 SF
3b	178561	602230	Lid, 75, 150 & 200 SF
4	59052900	602229	Lock Ring Assy.
5	87300400	66105	O-Ring, Tank
6	59016200	602227	Adapt. Socket, Air Tube
7a	59053500	602226	Center Core, 50 SF
7b	59053600	602225	Center Core, 75 SF
7c	59053700	602224	Center Core, 100 SF
7d	59053800	602223	Center Core, 150 & 200 SF
8a	PAP50	46061	Cartridge Element, 50 SF (R173213)
8b	PAP75	46062	Cartridge Element, 75 SF (R173214)
8c	PAP100	46063	Cartridge Element, 100 SF (R173215)
8d	PAP150	46064	Cartridge Element, 150 SF (R173216)
8e	PAP200	46065	Cartridge Element, 200 SF (R173217)
9a	178562	602220	Tank Bottom, 50 SF
9b	178554	602219	Tank Bottom, 75 SF
9c	178563	602218	Tank Bottom, 100 SF
9d	178560	602217	Tank Bottom, 150 & 200 SF
10a	51516200	602251	Drain Cap (Pre-1998)
10b	86202000	603286	Drain Plug, 1-1/2 w/O-Ring (1998-)
11a	86300500	608549	Gasket, Drain Cap (Pre-1998)
11b	O-71	66011	O-Ring, Drain Plug (1998-) 510050
12	39104500	600233	"C"-Clip, Union Nut
13	98212200	600234	Nut, Union
14	O-64	66253	O-ring, union (071426)
15	79304600	602216	Bulkhead Fitting



Key	Part#	SKU	Description
1	44510	44510	PSI Gauge (15060-0000T)
2 & 11	25230-0102S	622774	Lid w/Lock Ring, PXC75 & PXC95
2 & 11	25230-0103S	622795	Lid w/Lock Ring, PXC125 & PXC150
3	25230-0010S	622365	O-Ring, Tank
4	25230-0001S	622780	Tank Body (Incl.# 4-7)
5	25230-0006	622239	Diverter
6	32185-7074	613831	Drain Cap w/Gasket
7	25200-0007	613828	Safety Latch
8a	PA76	609404	Cartridge Element, PXC75 (25230-0075S)
8b	PA90	46190	Cartridge Element, PXC95 (25230-0095S)
8c	PWWPC125B	625862	Cartridge Element, PXC125 (25230-0125S)
8d	PA175	46193	Cartridge Element, PXC150 (25230-0150S)
9a	25230-0007	622307	Air Tube, PXC75 & PXC95
9b	25230-0008	622334	Air Tube, PXC125 & PXC150
10	24206-0103S	622313	Air Release Valve w/O-Ring

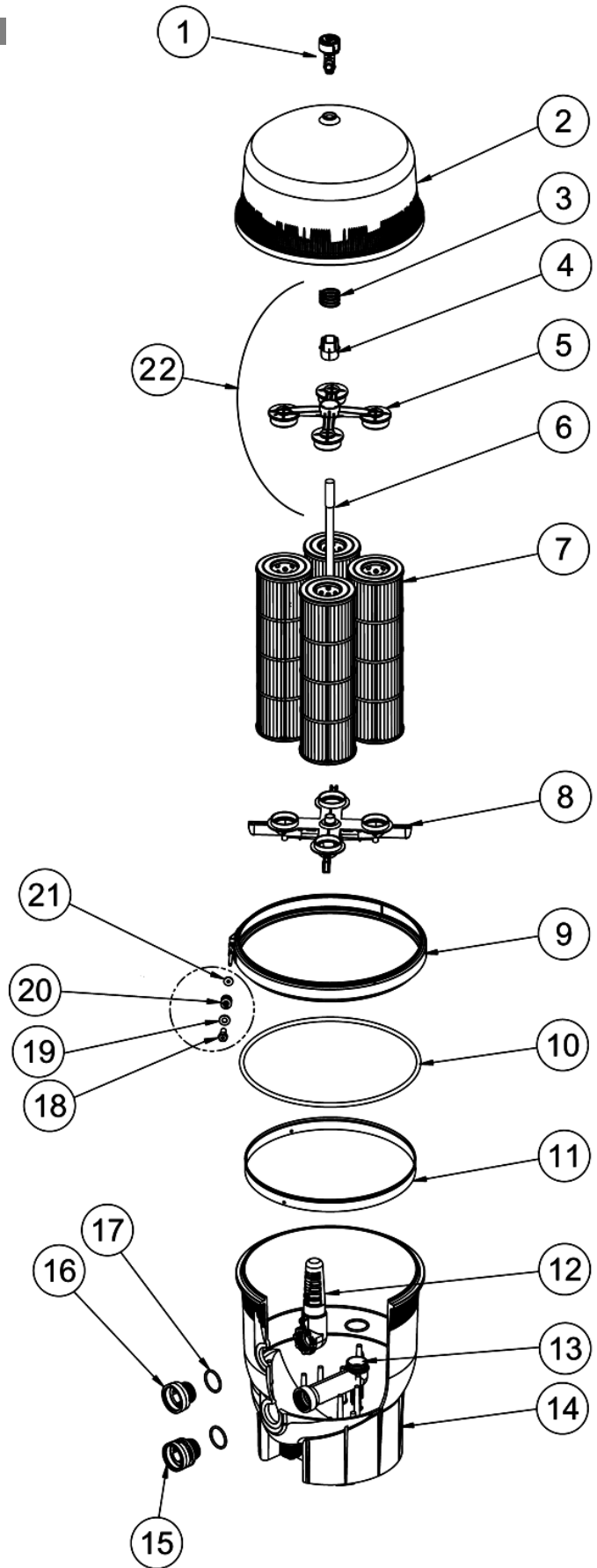




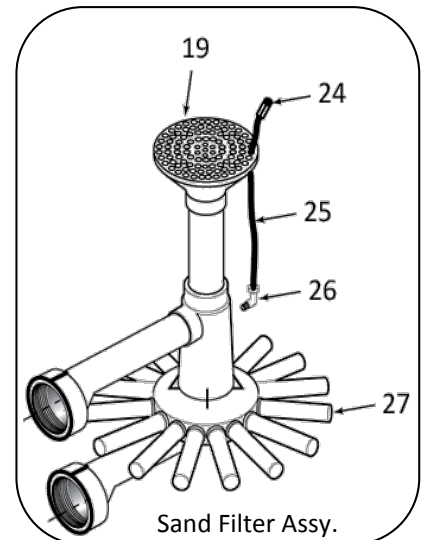
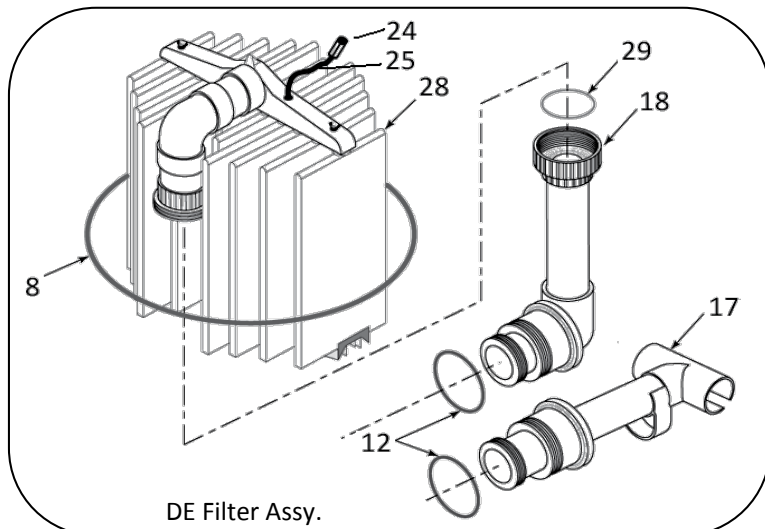
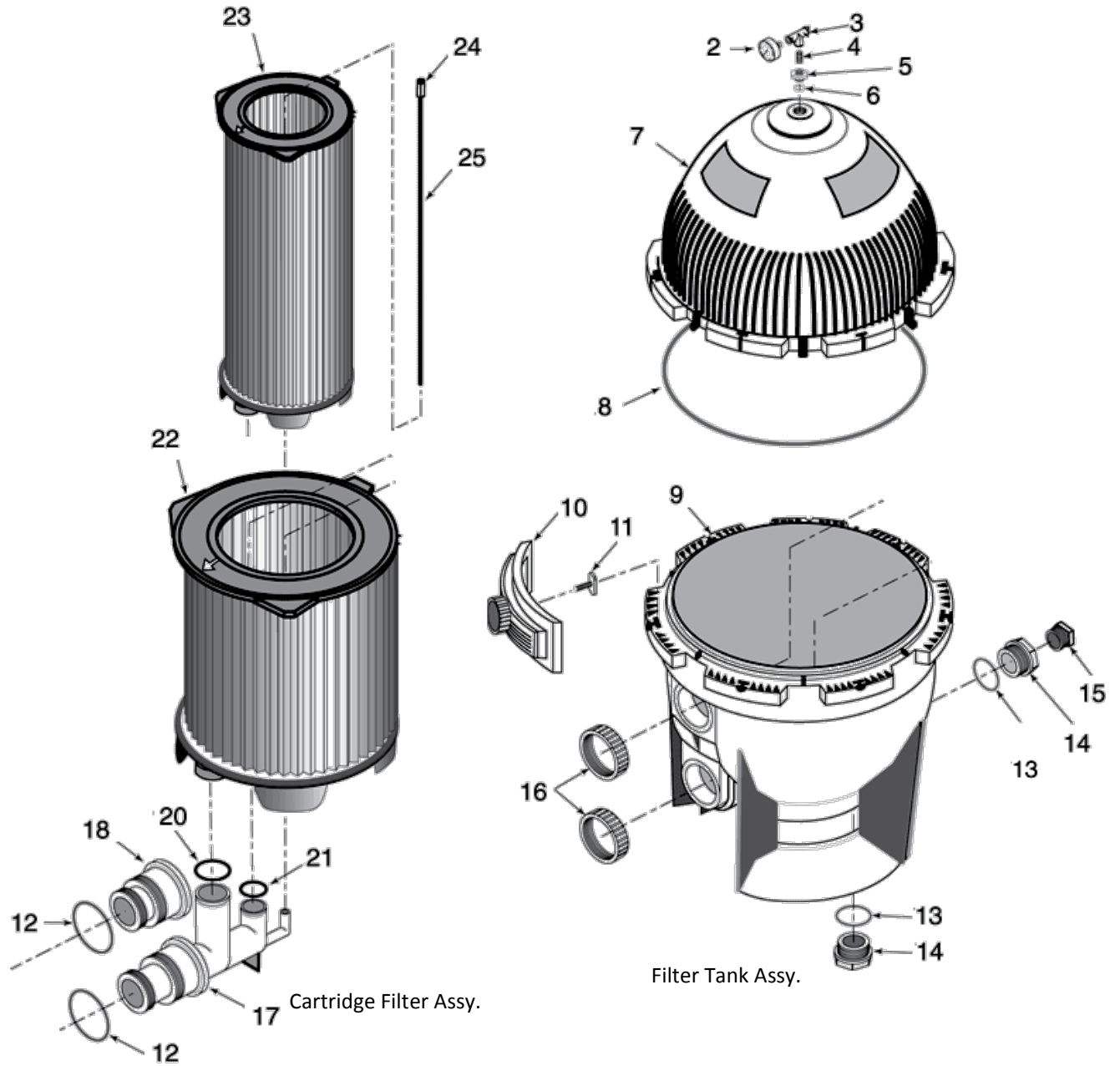
Key	Part#	Sku	Description	Key	Part#	Sku	Description
1	44511	44511	PSI Gauge (15060-0000T)	7	WC8-35	44243	Filter, Air Tube
1a	WC8-72D	44629	Screen, Gauge	8a	25010-0007	602753	Air Tube, PTM50 & 70
2	25010-0200	602757	Air Release Valve	8b	25010-0008	602911	Air Tube, PTM100
2a	O-39	66679	O-Ring, Air Valve (U9-359)	8c	25010-0010	602909	Air Tube, PTM135
3a	25010-9201	602756	Lid, PTM50 & 70	9	25010-9100	602754	Tank Clamp, Base
3b	25010-9202	602912	Lid, PTM100	10	WC104-78P	44103	Filter Base w/Plugs
3c	25010-9201	602756	Lid, PTM135	11	WC78-38T	44215	Drain Plug
4	25230-0010S	622365	O-Ring, Top Lid	12	WC36-1	611591	Nut, Tank Clamp
5	25010-9101	602752	Tank Clamp, Top Lid	13	O-239	64938	O-Ring, Base (WC9-3)
6a	PSR50	46165	Cartridge Element, PTM50 (WC108-56S2X)	14	25010-0001	602755	Lower Tank Body
6b	PSR70	46168	Cartridge Element, PTM70 (WC108-57S2X)	15	WC36-22	44831	Knob, Tank Clamp
6c	PSR100	46171	Cartridge Element, PTM100 (WC108-58S2X)	16	25005-0001	602910	Upper Tank Body, PTM135 Only
6d	PSR137	46174	Cartridge Element, PTM135 (WC108-70S2X)	17	36305-5030	603681	Plug, Upper Tank PTM135 Only

Pentair Cartridge Filters
Quad DE

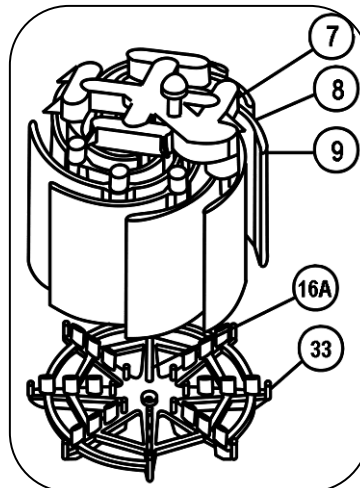
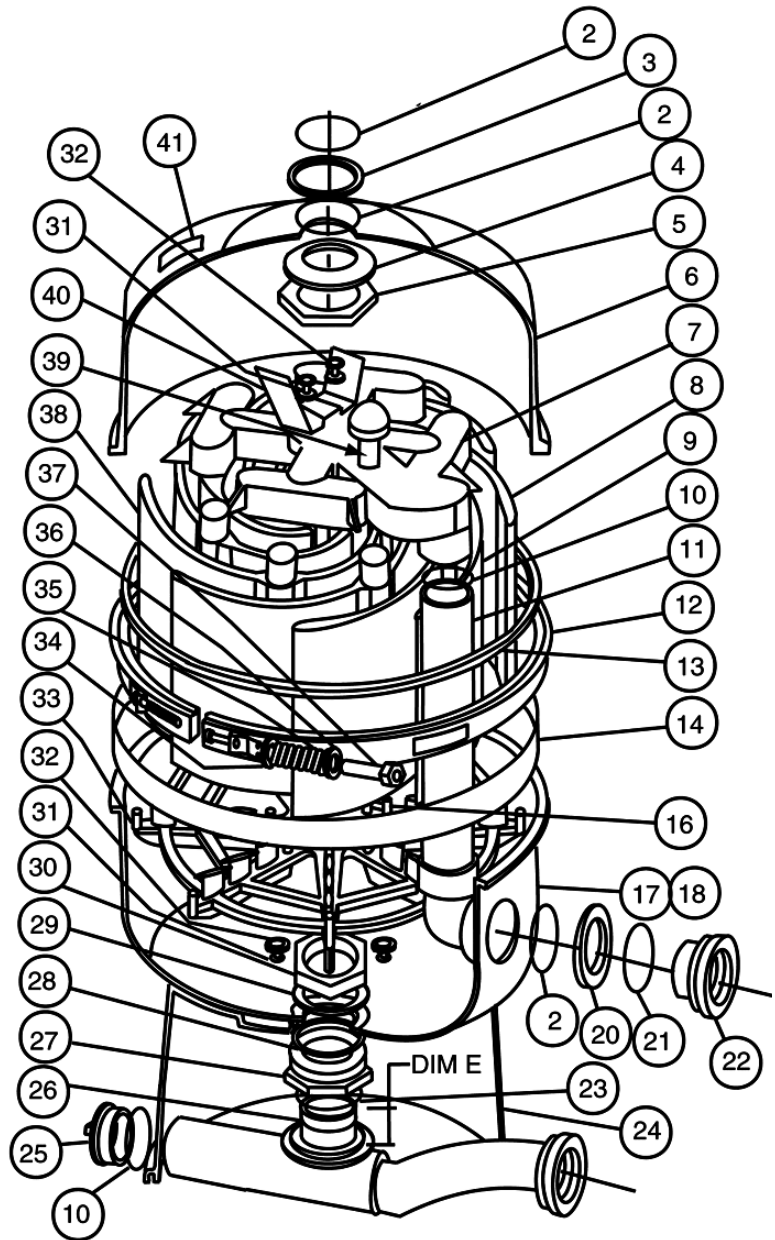
Key	Part#	Sku	Description
1	98209800	44016	Air Release Valve, Manual
2a	170024	622747	Lid, 320 SF
2b	178581	622764	Lid, 420 SF
2c	178582	622784	Lid, 520 SF
3	178616	602172	Spring, Manifold
4	170026	602167	Adapter, Manifold
5		NLA	Use# 22, Manifold
6a	170029	602170	Air Tube, 320 SF
6b	170028	602169	Air Tube, 420 SF
6c	178583	602168	Air Tube, 520 SF
7a	178656	626483	Cartridge Element, Quad 100
7b	178655	626482	Cartridge Element, Quad 80
7c	178654	626481	Cartridge Element, Quad 60
8	170059	631244	Manifold Assy., Bottom
9	195351	44183	Tank Clamp
10	O-333	64900	O-Ring, Tank (390102)
11	195339	622559	Back-Up Ring
12	190039	602174	Inlet Baffle
13	170036	626476	Outlet Pipe
14	178578	622817	Tank Bottom
15	178575	622344	Lower Bulkhead
16	194801	603032	Upper Bulkhead
17	86006900	608504	O-Ring, Bulkhead
18	194997	602321	Nut, Clamp
19	195611	602302	Large Washer, Clamp
20	195612	602301	Spring, Clamp
21	195610	602303	Small Washer, Clamp
22	170026	602167	Manifold Assy. ,(Incl.# 3-5)



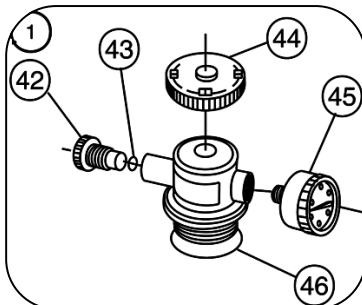
Pentair/Sta-Rite Modular Filters System 3 (Cartridge, Sand or DE)



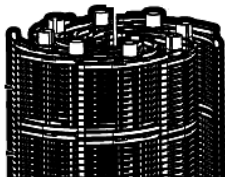
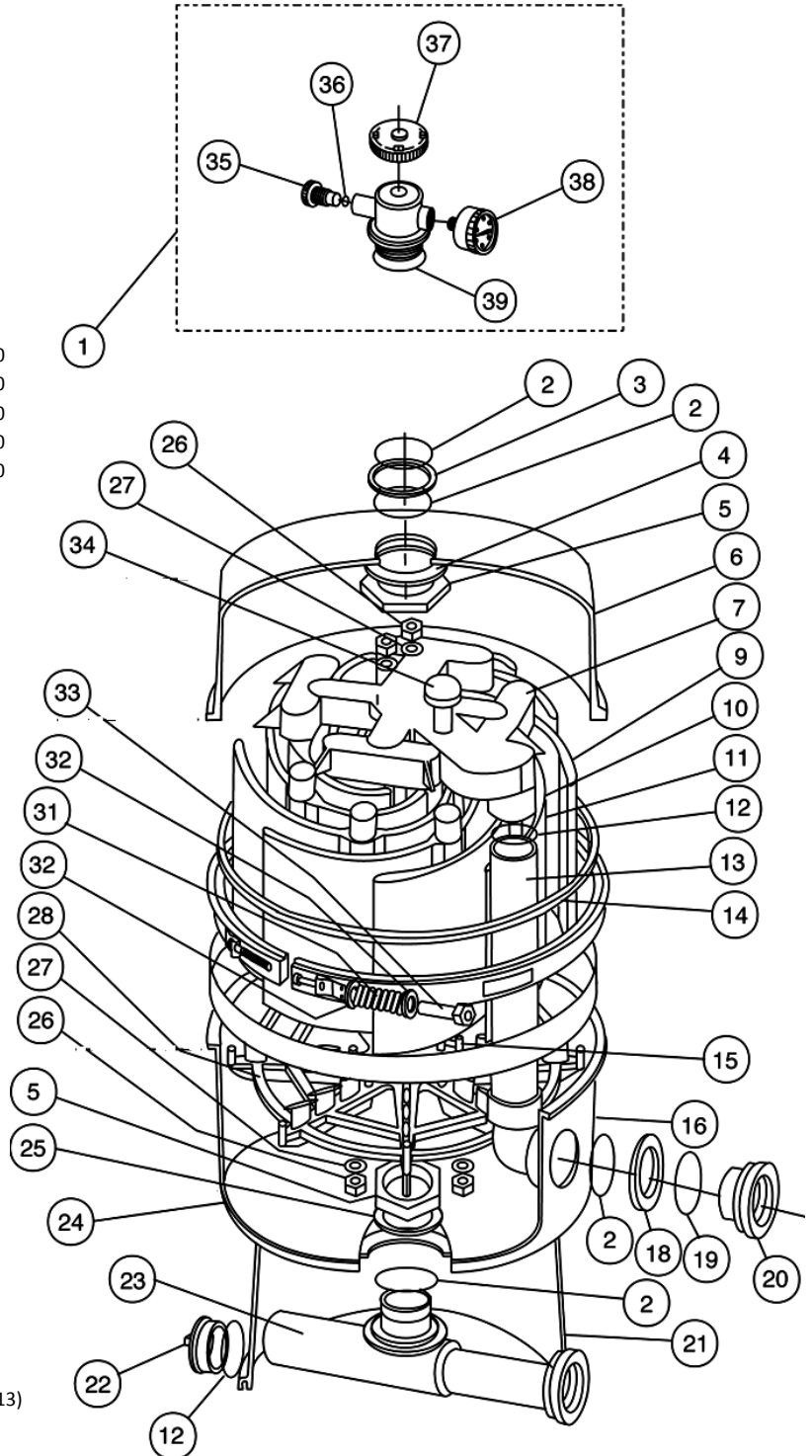
Key	Part#	Sku	Description
1	273550	602352	Air Release Assy.
2	O-179	66527	O-ring, Spacer (154492)
3	273502	602355	Top Spacer
4	273505	602354	Spacer
5	154412	44341	Spacer Nut
6	CALL		Tank Top
7	192173	603064	Manifold
8	FC9320	46500	Full Grid 24SF (7 Req.) 59001100
8	FC9330	46502	Full Grid 36SF (7 Req.) 59001800
8	FC9340	46504	Full Grid 48SF (7 Req.) 59002400
8	FC9350	46506	Full Grid 60SF (7 Req.) 59003000
9	FC9420	46510	Partial Grid 24SF (59001000)
9	FC9430	46512	Partial Grid 36SF (59001700)
9	FC9440	46514	Partial Grid 48SF (59002300)
9	FC9450	46516	Partial Grid 60SF (59002900)
10	O-24	66496	O-ring, Standpipe (192323)
11	195213	603016	Upper Piping, 24SF
11	195214	603015	Upper Piping, 36SF
11	195215	603014	Upper Piping, 48SF
11	195216	603013	Upper Piping, 60SF
12	195351	44183	Tank Clamp
13	O-420	66500	O-ring, Tank (195008)
14	195337	602306	Retainer, Tank
16	192183	44553	Retainer Rod, NSP-36 19"
16	192184	44554	Retainer Rod, NSP-18 27-1/2"
16	192185	44555	Retainer Rod, NSP-60 33-1/2"
16A	192141	602387	Retainer Rod, FNS-36 19"
16A	192140	602388	Retainer Rod, FNS-24 13"
17	CALL		Tank Bottom
18	CALL		Tank Bottom, Base & Piping
20	194893	44763	Spacer, 2" External
21	86006900	608504	O-ring, Bulkhead (2004-)
21	O-409	66495	O-ring, Bulkhead (Pre-2004) 192320
22	190141	622615	Bulkhead 2" (2004-)
23	O-83	66535	O-ring, Drain Plug 2" (274494)
24	195153	603017	Base
25	195829	603000	Drain Plug 2"
26	195308	603010	Lower Piping Assy.
27	195221	602316	Adapter, Lower Pipe 6"
28	O-163	66552	O-ring, Valve Adapt. (154494)
29	195004	44931	Poly Washer
30	154412	44341	Bulkhead Nut
31	192013	609164	Nut 5/16", Retaining Rod
32	174955	603026	Washer 5/16", Retaining Rod
33	192194	603063	Grid Spacer
34	195610	602303	Washer, Small
35	195612	602301	Spring, Clamp
36	195611	602302	Washer, Clamp
37	194997	602321	Nut, Clamp
39	172855	44797	Strainer, Manifold
42	273512	44627	Air Bleeder
43	O-628	66529	O-ring, Bleeder Screw (273513)
45	44511	44511	PSI Gauge (190059)
46	O-179	66527	O-ring, Air Valve (154492)



8-PACK Replacement Elements Sets:	
7-Full Grids + 1-Partial Grids	
46606	36 SF
46607	48 SF
46608	60 SF



Key	Part#	Sku	Description
1	261003	44169	Auto Air Release Assy.
2	O-83	66535	O-ring, Spacer (274494)
3	273502	602355	Top Spacer
4	273505	602354	Spacer
5	154412	44341	Nut, Spacer
6		CALL	Tank Top
7	192193	44860	Manifold
9a	FC9420	46510	Partial Grid 24SF (59001000)
9b	FC9430	46512	Partial Grid 36SF (59001700)
9c	FC9440	46514	Partial Grid 48SF (59002300)
9d	FC9450	46516	Partial Grid 60SF (59002900)
9e	FC9460	46518	Partial Grid 72SF (59003500)
10a	FC9320	46500	Full Grid 24SF (7 Req.) 59001100
10b	FC9330	46502	Full Grid 36SF (7 Req.) 59001800
10c	FC9340	46504	Full Grid 48SF (7 Req.) 59002400
10d	FC9350	46506	Full Grid 60SF (7 Req.) 59003000
10e	FC9360	46508	Full Grid 72SF (7 Req.) 59003600
12	O-24	66496	O-ring, Standpipe (192323)
13a	194981	602326	Standpipe, 24SF
13b	194982	602325	Standpipe, 36SF
13c	194983	602324	Standpipe, 48SF
13d	194984	602323	Standpipe, 60SF
13e	194985	602322	Standpipe, 72SF
14	O-184	64918	O-ring, Tank (152127)
15a	192182	44552	Retaining Rod, 24SF
15b	192183	44553	Retaining Rod, 36SF 21-1/2"
15c	192184	44554	Retaining Rod, 48SF 27-1/2"
15d	192185	44555	Retaining Rod, 60SF 33-1/2"
15e	195002	44918	Retaining Rod, 72SF 39-1/2"
16		CALL	Tank Bottom
18	194893	44763	External Spacer, 2"
19a	86006900	608504	O-ring, Bulkhead
19b	190141	622615	Bulkhead w/O-ring
20	194801	44182	Bulkhead, 2"
21	154722	602334	Filter Base
22	195829	603000	Plug, 2"
23	194913	603030	Lower Piping Assy.
24		CALL	Tank Bottom Assy.
25	154747	44749	Spacer, Adapter
26	192013	609164	Nut 5/16", Base
27	72173	603257	Washer 5/16", Base
28	192194	603063	Grid Spacer
31	194988	44764	Spring
32a	53004800	44976	Washer, Clamp
33a	194989	44473	Nut, Clamp
33b	181011	603388	Tank Clamp (1992-)
34	172855	44797	Strainer, Air Release
35	273512	44627	Air Bleeder
36	O-628	66529	O-ring, Air Bleeder Screw (273513)
38	44511	44511	PSI Gauge (190059)
39	O-83	66535	O-ring, Air Valve (274494)



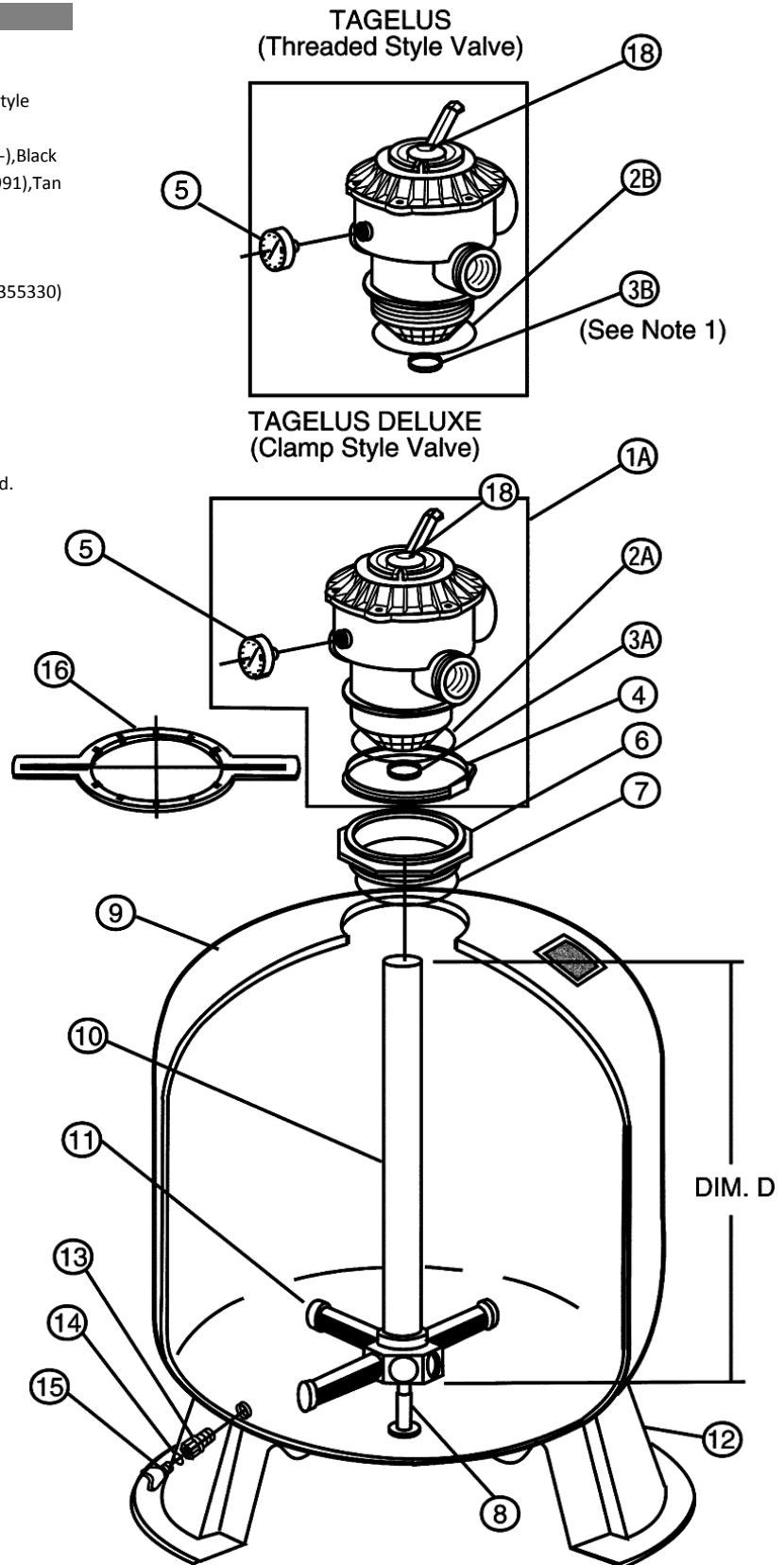
8-PACK Replacement Elements Sets
7-Full Grids + 1-Partial Grids

46606	36 SF
46607	48 SF
46608	60 SF
46609	72 SF

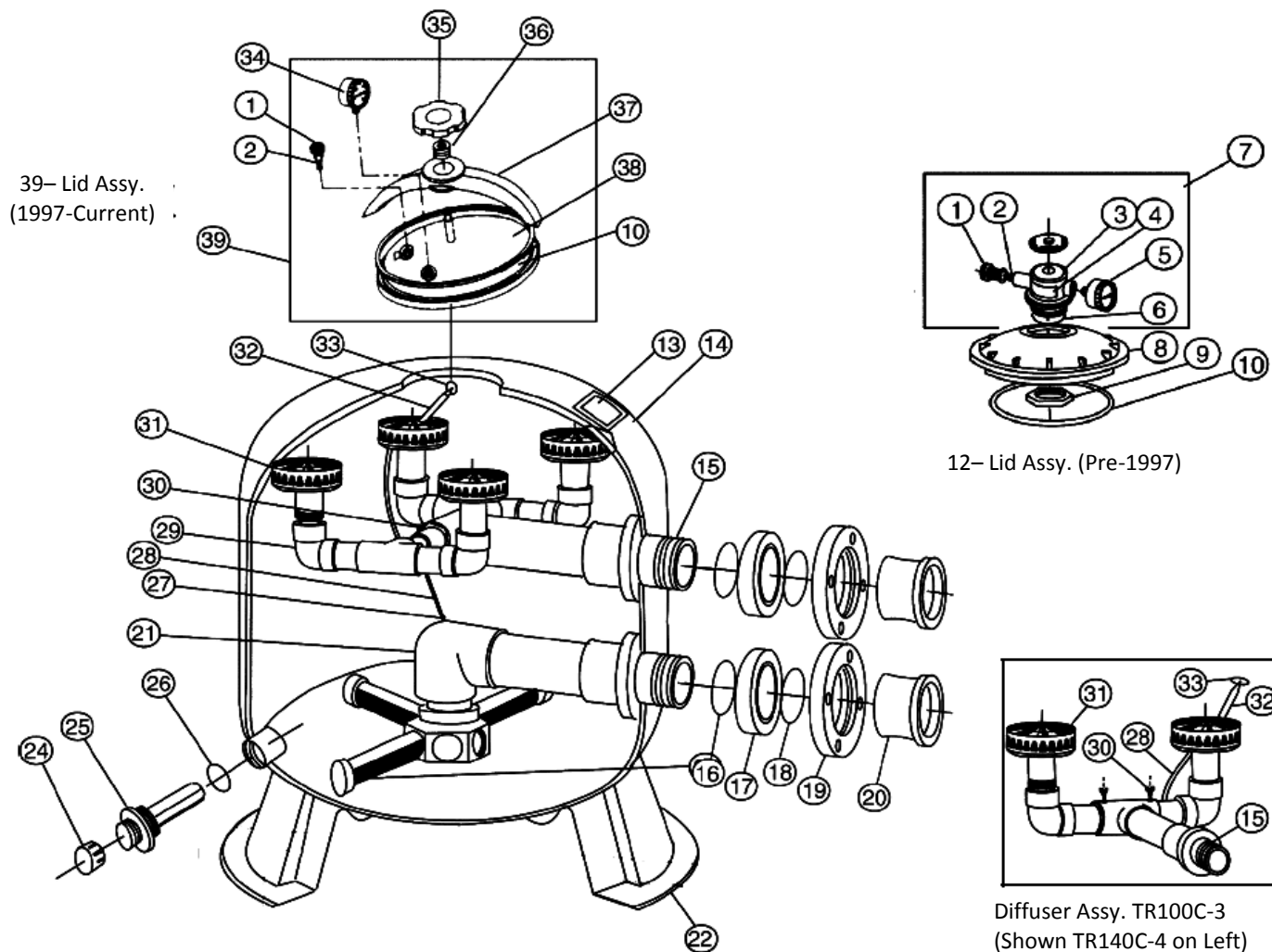
Key	Part#	SKU	Description
Multiport Valves			NOTE: Valves Vary by Model & Year
Threaded Openings Are NOT Interchangeable			
1A	262506	603358	MPV 1-1/2" Ports 6-Way Clamp Style
1A	261185	603069	MPV 2" Ports 6-Way Clamp Style
1B	261130	602414	MPV 1-1/2" Ports Btr. Thd. (1991-),Black
1B	261124	603203	MPV 1-1/2 Ports "V" Thd. (Pre-1991),Tan
2A	272541	608174	O-Ring 4-3/4", Valve/Tank
2A	275333	608222	O-Ring 6-1/2", Valve/Tank
2B	154493	608351	O-Ring 5-3/4", Valve/Tank
3A	O-301	66493	O-Ring 2-3/8", Valve/Standpipe (355330)
3B	155064	608736	O-Ring 1-7/8", Valve/Standpipe
4a	152165	603418	Valve Clamp, 6-1/2"
4b	152130	603065	Valve Clamp, 8-3/8"
5	44511	44511	PSI Gauge (190059)
6a	154555	603046	Tank Adapter, 6" Buttress Thd.
6b	155225	603012	Tank Adapter, 6" "V" Threads
6c	154521	603047	Tank Adapter, 8-1/2" Buttress Thd.
7a	O-163	66552	O-Ring 5-3/4", Adapter (354535)
7b	O-465	66498	O-Ring, 8-1/2", Adapter (355619)
8	155002	622385	Stabilizer Pin
9		CALL	Tank, Varies by Model & Year
10a	155060	603023	Standpipe, 12-7/8"
10b	153455	602356	Standpipe, 14-7/8"
10c	155061	603022	Standpipe, 17-3/4"
10d	155062	603021	Standpipe, 19-7/8"
10e	155063	603020	Standpipe, 22-5/8"
10f	155323	602308	Standpipe, 27-1/4"
10g	155299	622460	Standpipe, TA60 (2007-)
11a	155007	44402	Lateral 5-11/32"
11b	152290	44362	Lateral 6-11/16"
11c	152202	44400	Lateral 9-1/8"
11d	150085	622309	Lateral (1/4 Turn), TA60 (2007-)
11e	150088	622613	Lateral, ClearPro
12a	154926	603029	Tank Base
12b	154596	603043	Tank Base (TA100)
13a	154698	44785	Spigot, 3/4" NPT
13b	154685	44786	Spigot, 1/2" NPT
13c	152220	44978	Spigot, 2" NPT
14a	O-130	66528	O-Ring, Drain Plug (192115)
14b	154871	44979	O-Ring, Drain Plug (TA100)
15	154699	16504	Drain Plug, 1/4" NPT
16a	154512	44990	Lid Wrench 6-1/2"
16b	151608	602394	Lid Wrench 9"
18	272599	602377	Label

NOTE: Parts vary by model and year:
Pre-1991 models have a "V" threaded opening with tan lids.
1991-Current have a buttress threaded opening with black lids.
DO NOT ATTEMPT TO INTERCHANGE THREAD TYPES!

CONSULT FACTORY FOR SPECIFIC REPLACEMENT PARTS
Pentair Water Pool & Spa (800) 831-7133
For questions about tanks, valves, clamps, adapter rings and stand pipes replacement parts.



Pentair Sand Filters Triton C3



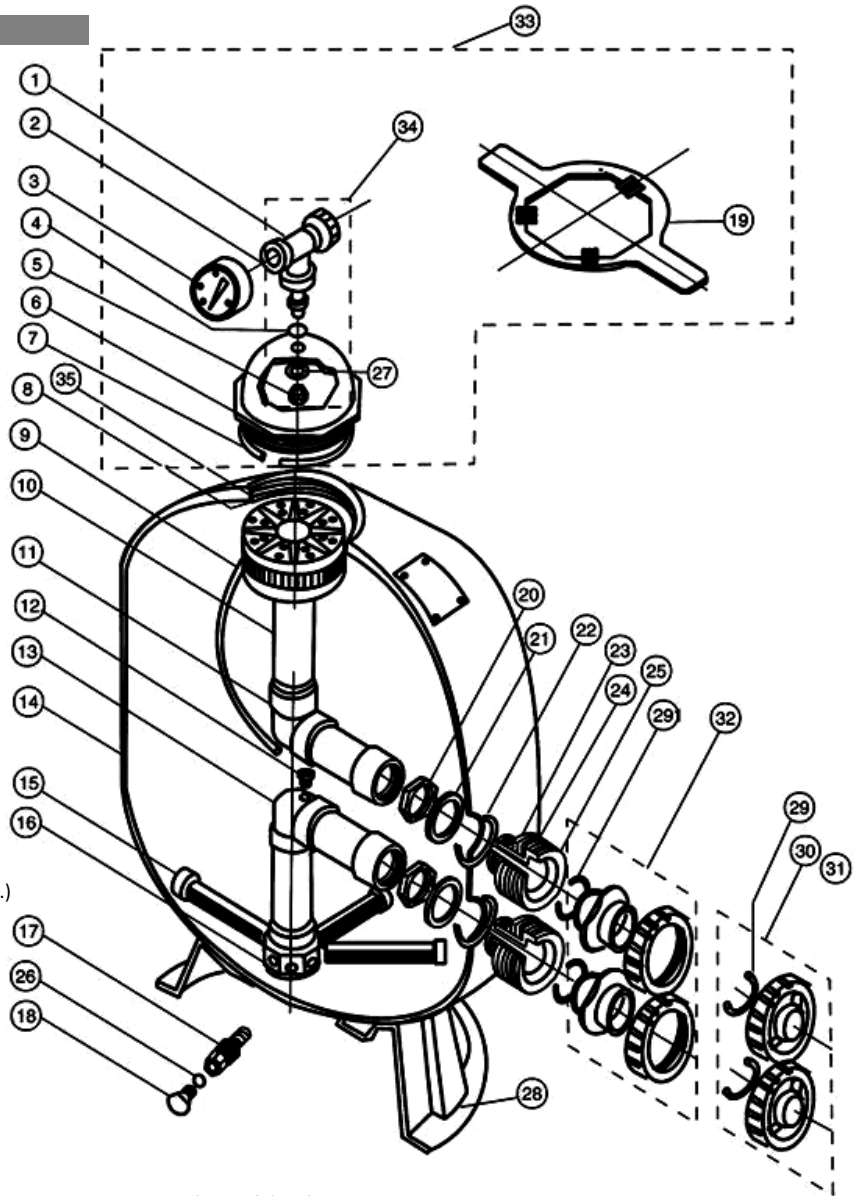
39- Lid Assy.
(1997-Current)

12- Lid Assy. (Pre-1997)

Diffuser Assy. TR100C-3
(Shown TR140C-4 on Left)

Key	Part#	Sku	Description	Key	Part#	Sku	Description
1	273512	44627	Air Release	23	152202	44400	Lateral, 9-1/8"
2	O-628	66529	O-ring, Air Bleeder (273513)	23	154540	44401	Lateral, 12"
3,7	273564	44169	Body, Air Valve (Manual)	24	154871	44979	Drain Cap 1-1/2"
5	44511	44511	PSI Gauge (190059)	25	152220	44978	Spigot, 2"
6	O-163	66552	O-ring, Valve Adapter (Repl#154494/354535)	26	O-83	66535	O-ring, Spigot (274494)
8	154575	602384	Cover, 8-1/2"	27	154440	44138	Connector, Air Tube
9	154412	44341	Nut, Bulkhead	28	154437	44032	Air Tube, TR100C3
10	152509	44562	Square Ring, 8-1/2"	28	154438	44002	Air Tube, TR140C3
11	154527	44991	Lid Wrench	29	154018	622704	Diffuser, TR140C3 (2-req.)
12	154856	44172	Cover Kit, 8-1/2" (Pre-1997)	30	273071	44799	Screw, Upper Piping
15	154007	622663	Upper Piping Assy., TR100C3	31	154599	44186	Diffuser
15	154008	622669	Upper Piping Assy., TR140C3	32	154507	44757	Spacer, 6-3/4" TR100C3
16	154005	66565	O-ring, Spacer	32	154508	44758	Spacer, 10-5/16" TR140C3
17	154002	622523	Spacer, 3"	33	154578	44003	Strainer, Air Release
18	154004	608281	O-ring, Flange	34	44510	44510	PSI Gauge (190058)
19	154003	622573	Flange, 3"	35	154581	622374	Knob, Oval Lid
20	154001	622529	Flange Adapter, 3"	36	154582	622469	Spring, Oval Lid
21	154009	622670	Lower Piping Assy. TR100C3	37	154579	622624	Bridge, Oval Lid
21	154010	622666	Lower Piping Assy. TR140C3	38	154576	622620	Cover, Oval (1997-)
22	154596	603043	Tank Base	39	156841	622771	Oval Cover Kit

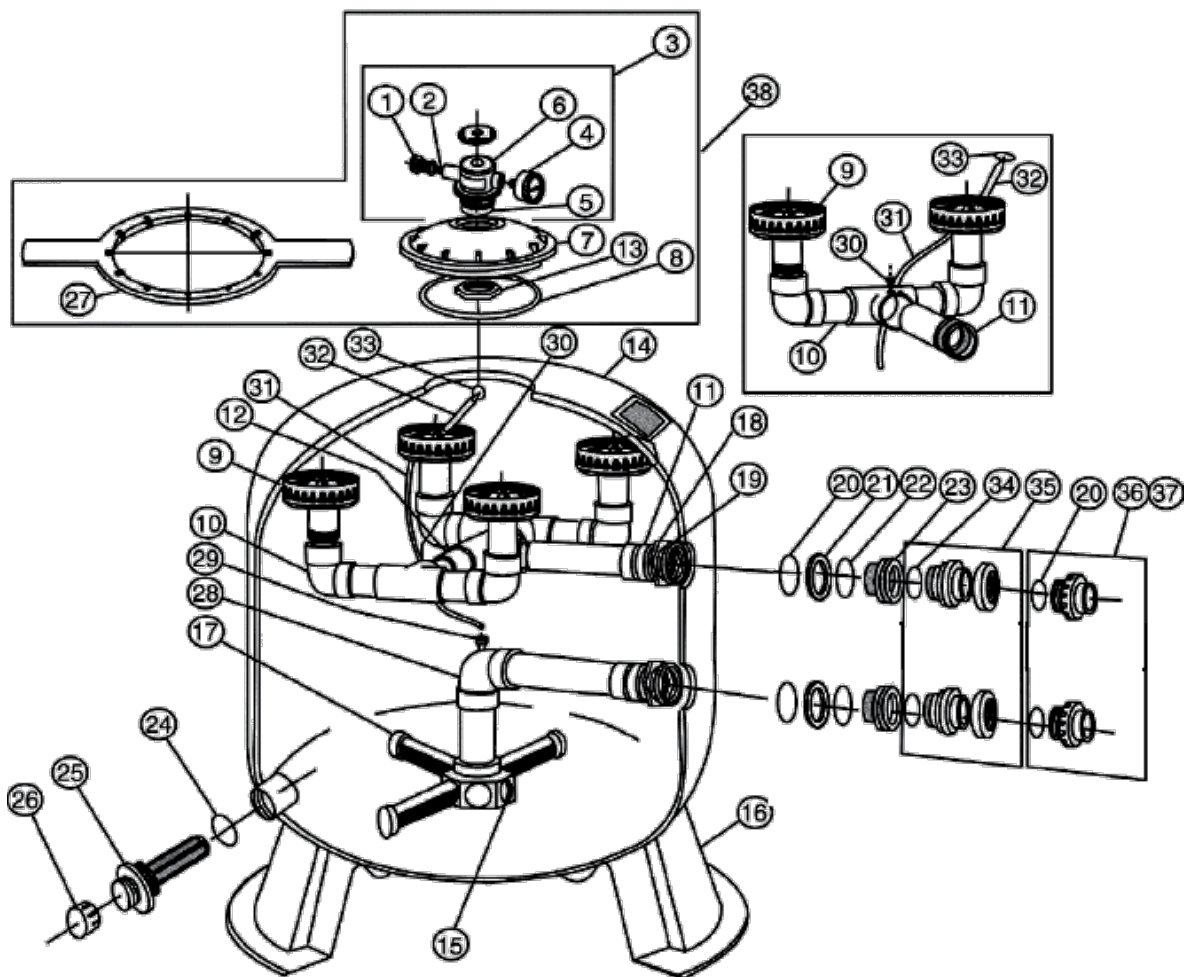
Key	Part#	Sku	Description
1	154689	44008	Air Release/Tee Assy.
2	154700	44839	Brass Adapter, Air Valve
3	44511	44511	PSI Gauge (190059)
4	O-25	66075	O-ring, Adapter (154661)
5	154664	44480	Nut 3/8", Adapter
6a	154570	44472	Cover, (1991-) Black
6b	154559	44372	Cover, (Pre-1991) Tan
7	O-108	66380	O-ring, Cover (154493)
8a	154578	44003	Strainer, Air Valve (Pre-1999)
8b	150035	613587	Strainer, Air Valve (1999-)
9	CALL		Air Tube (Varies by Model & Yr.)
10a	154598	44185	Diffuser Assy. TR40/50
10b	154599	44186	Diffuser Assy. TR60
10c	154462	44187	Diffuser Assy. TR100
10d	154906	44189	Diffuser Assy. TR140
11a	154803	44861	Upper Piping Assy., TR40
11b	156814	44862	Upper Piping Assy., TR50
11c	154533	44863	Upper Piping Assy., TR60
11d	154426	44864	Upper Piping Assy., TR100
11e	154500	44865	Upper Piping Assy., TR140
12	150036	613575	Connector, Air Tube (1990-)
13a	154801	44866	Lower Piping Assy., TR40
13b	156816	44867	Lower Piping Assy., TR50
13c	154805	44868	Lower Piping, TR60 (Pre-2007)
13d	155284	622602	Lower Piping, TR60 (2007-)
13e	154807	44869	Lower Piping, TR100 & 100C
13f	154489	44870	Lower Piping Assy, TR140
14	CALL		Tank Assy.
15a	152290	44362	Lateral, TR40-60 6-11/16" (8-req.)
15b	150085	622309	Lateral, TR60 Grey
15c	152202	44400	Lateral, TR100 9-1/8" (8-req.)
15d	154540	44401	Lateral, TR140 12" (8-req.)
15e	150088	622613	Lateral, ClearPro
16a	154763	44353	Hub, TR40-60
16b	154453	44355	Hub, TR100-140
17a	152220	44978	Drain Plug 2"
17b	154698	44785	Spigot 3/4" NPT (1983-1996)
18a	154871	44979	Drain Cap 1-1/2"
18b	154699	16504	Drain Plug 1/4" NPT
18c	154481	601474	Drain Plug 1/4"
19a	154512	44990	Lid Wrench (6" Opening)
19b	154510	602349	Lid Wrench (Aluminum)
20	154412	44341	Internal Locknut, 2"
21	154416	44342	Internal Spacer, 2"
22	O-179	66527	O-ring, 2" Bulkhead (154492)
23	154408	44238	External Spacer, 2"
24	154538	64899	Gasket, 2" Bulkhead
25a	154714	602335	Bulkhead kit includes items# 20-25
25b	154405	44089	Bulkhead 2"
26a	O-83	66535	O-ring, Drain Plug (Repl.# 154492/274494)
26b	O-130	66528	O-ring, Drain Plug (1983-1996) 192115
27	154418	40900	Washer 3/8", Adapter
28	CALL		Filter Base
29	O-83	66535	O-ring, Valve Adapter (274494)
30	271092	44178	Adapter, 2" Thd.
31	271094	44920	Adapter, 1-1/2" Thd



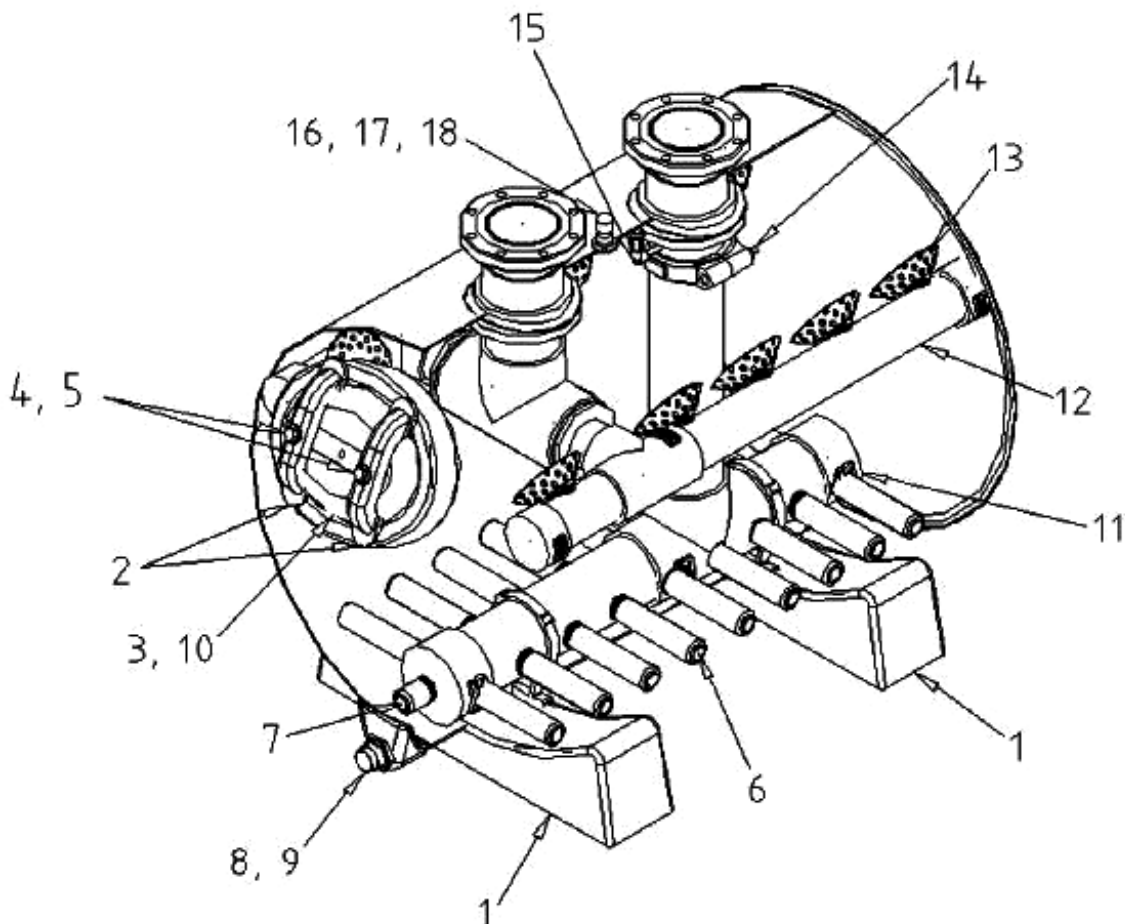
NOTE: Parts vary by model and year:
Pre-1991 models have a "V" threaded opening with tan lids.
1991-Current have a buttress threaded opening with black lids.
DO NOT ATTEMPT TO INTERCHANGE THREAD TYPES!

CONSULT FACTORY FOR SPECIFIC REPLACEMENT PARTS
Pentair Water Pool & Spa (800) 831-7133
For questions about tanks, lids, clamps, adapter rings and stand pipes replacement parts.

Key	Part#	Sku	Description
32	271096	44921	Adapter, 1-1/2" Slip
33a	154641	613548	Cover Kit, 6" (1991-) Black
33b	154697	603041	Cover Kit, 6" (Pre-1991) Tan
33c	154856	44172	Cover Kit, 8-1/2" Black
34	154687	603042	Fitting Package
35a	154611	602346	Spacer, Strainer 3-3/4" TR40
35b	154612	44889	Spacer, Strainer 4-1/2" TR50-60
35c	154613	602345	Spacer, Strainer 5-1/2" TR100
35d	154614	602344	Spacer, Strainer 5" TR140

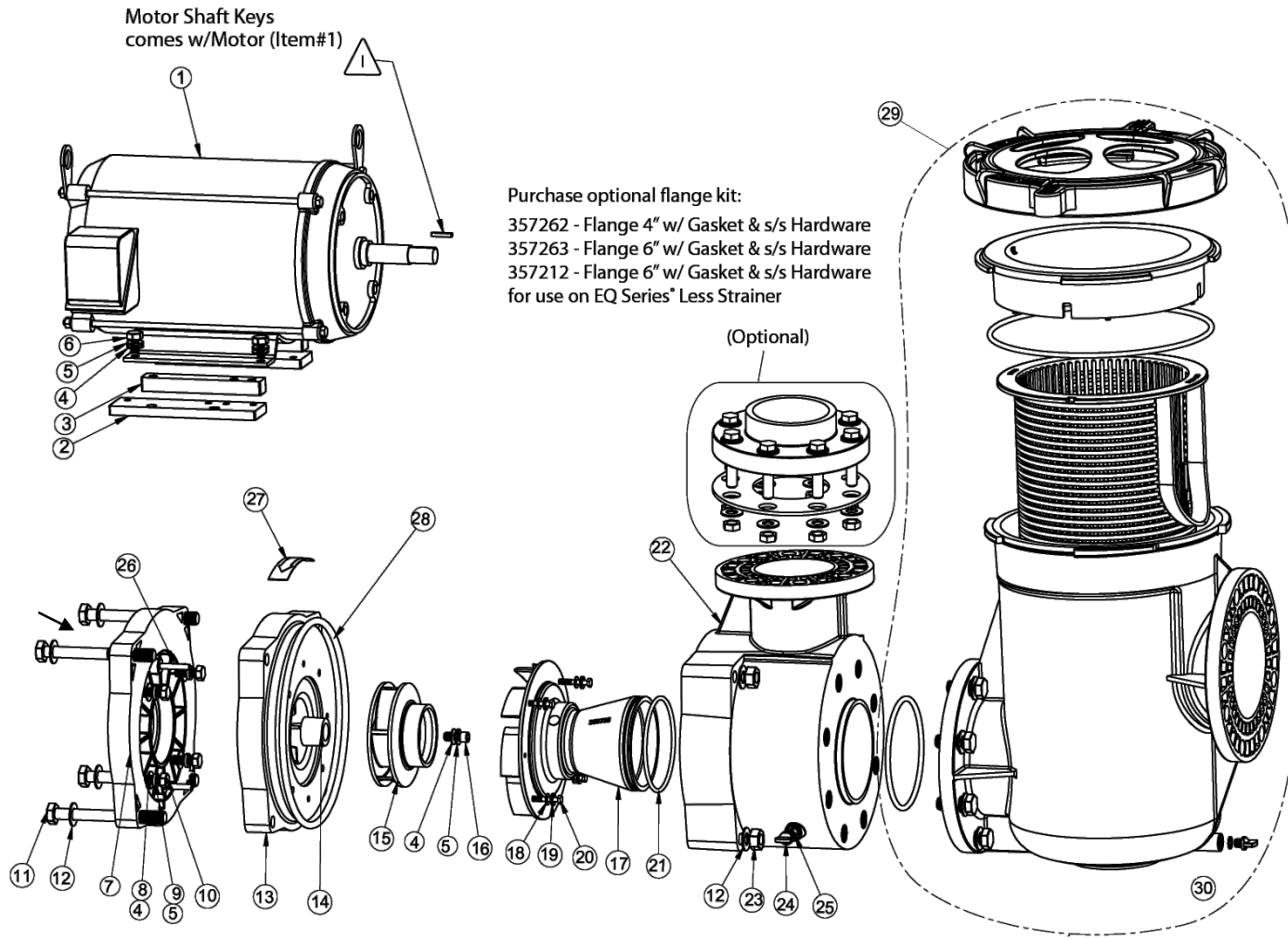


Key	Part#	SKU	Description	Key	Part#	SKU	Description
1	273512	44627	Air Release	23	154405	44089	Bulkhead, 2"
2	273513	66529	Screw, Air Bleeder	24	O-83	66535	O-ring, Spigot (274494)
3	273564	44169	Body, Air Valve (Manual)	25	152220	44978	Spigot, 2" NPT
4	44511	44511	PSI Gauge (190059)	26	154871	44979	Drain Cap 1-1/2"
5	274495	622181	O-ring, Air Valve	27	154527	44991	Lid Wrench
7	154575	602384	Cover, 8-1/2"	28	154807	44869	Lower Piping Assy. TR100C
8	152509	44562	Square Ring, Cover	28	154489	44870	Lower Piping Assy. TR140C
9	154599	44186	Diffuser	29	150036	613575	Connector, Air Tube
10	156355	602286	Upper Piping Assy.	30	273071	44799	Screw, Upper Piping
11	156344	602288	Inlet, Upper Piping	31	154437	44032	Air Tube, TR100C
12	156354	602287	Connecting Assy.	31	154438	44002	Air Tube TR140C
13	154412	44341	Nut, Bulkhead	32	154507	44757	Spacer, 6-3/4" TR100C
14	153430	602360	Tank Assy., TR100C	32	154508	44758	Spacer, 10-5/16" TR140C
14	153431	602359	Tank Assy., TR140C	33	154578	44003	Strainer, Air Release
15	154453	44355	Hub	33	150035	613587	Strainer 3/8", Air Release
16	154596	603043	Tank Base	33	154578	44003	Strainer, Air Release (Pre-1999)
17	152202	44400	Lateral, 9-1/8"	33	150035	613587	Strainer, Air Release (1999-)
17	154540	44401	Lateral, 12"	34	O-83	66535	O-ring, Bulkhead (274494)
18	154412	44341	Nut, Bulkhead	35	271096	44921	Union Kit
19	154416	44342	Internal Spacer, 2"	36	271092	44178	Adapter 2" Thd.
20	O-179	66527	O-ring, Spacer (154492)	37	271094	44920	Adapter 1-1/2" Thd.
21	154408	44238	External Spacer, 2"	38	154856	44172	Cover Kit, 8-1/2" Black
22	G-98	64899	Gasket, Bulkhead (154538)				



Key	Part#	Sku	Description
1	B4848BL-32	CALL	Tank Saddle Base (Black)
2	B4856	617120	Yoke Handles
3	B4852A-N	617121	Cover, Access Opening
4	B4951	617122	Knob, 3/4" Yoke Handles
5	94860	617123	Washer 3/4", Knob
6	B4804	617124	Lateral, 10" each.
7	B4803	617125	Lateral , 3-1/2" each.
8	B4980	617126	Drain
9	B4981X	617127	Drain Plug, 1-1/2"
10	B4951	617128	O-ring, Access Cover
13	B4806	617129	Diffuser Head
14	B4570	617130	Coupling Assy.
15	B4578	617131	Air Release Assy.
16	B4974BAN	617132	Cap, Air Valve
17	B4970BAN	617133	Threaded Nipple, 1/2"
18	B4979BAN	617134	Bulkhead Fitting, 1/2"

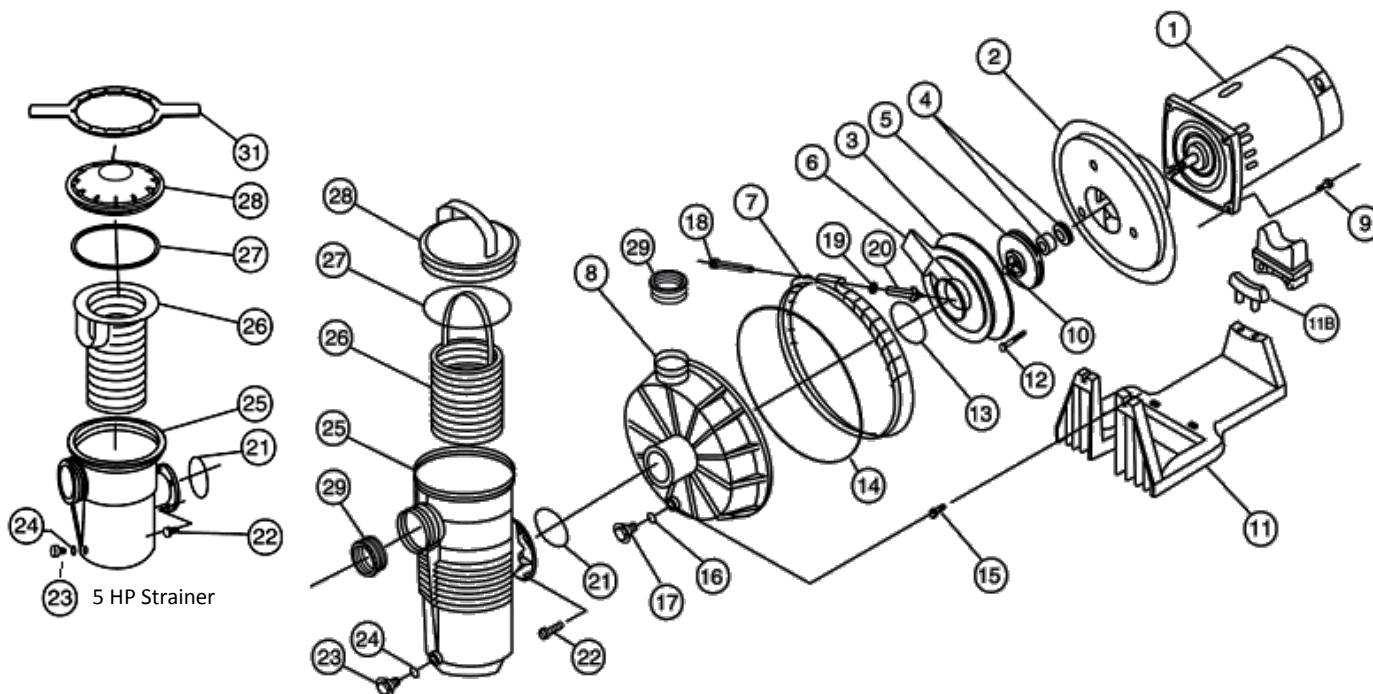
Lateral Configuration by Model#		
Number of Laterals Required:		
Item# Model	B4804 10" Laterals	B4803 3-1/2" Laterals
THS3461	14	2
THS3484	20	2
THS4272	18	3
THS4284	24	3
THS4296	18	3



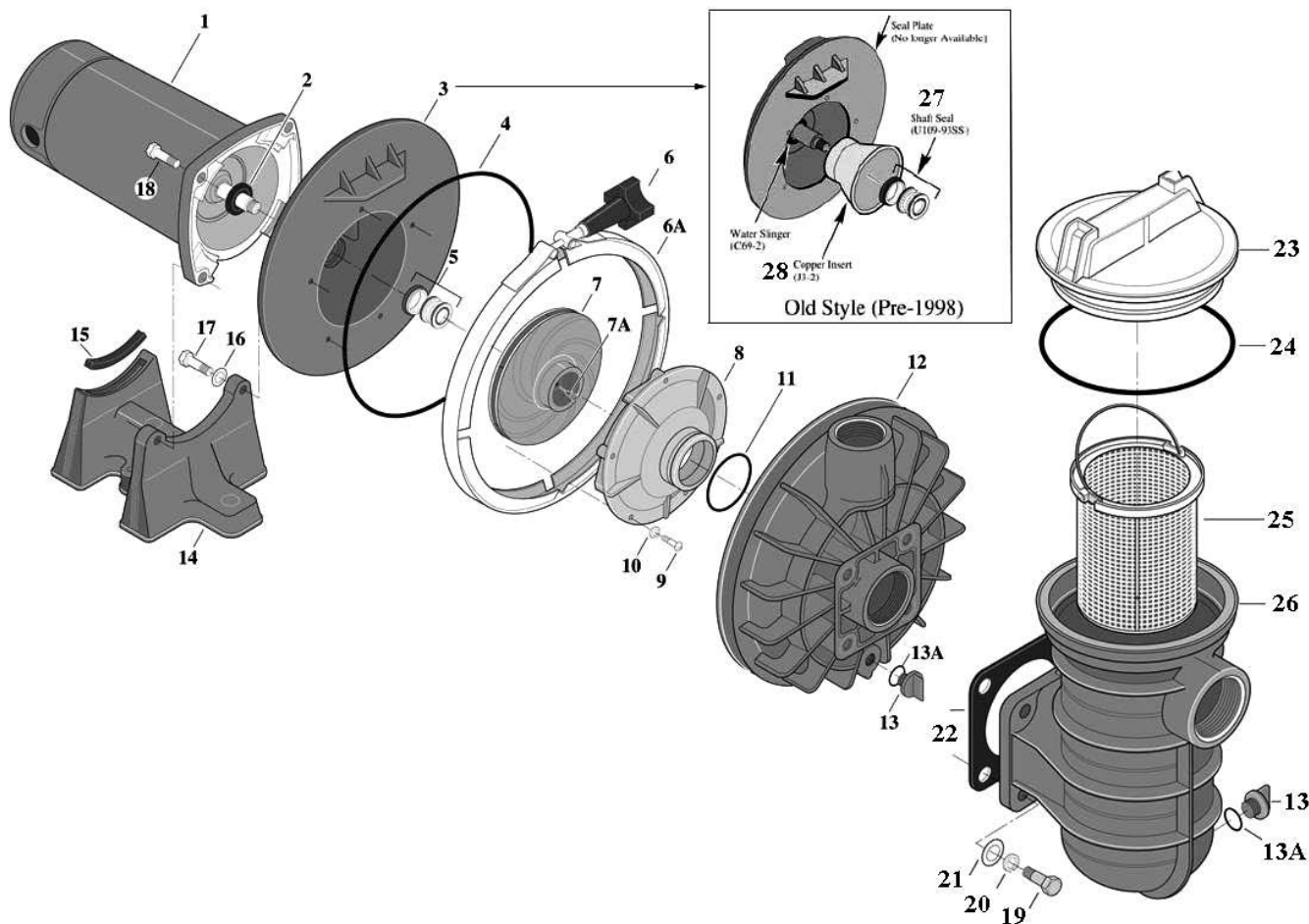
Purchase optional flange kit:
 357262 - Flange 4" w/ Gasket & s/s Hardware
 357263 - Flange 6" w/ Gasket & s/s Hardware
 357212 - Flange 6" w/ Gasket & s/s Hardware
 for use on EQ Series" Less Strainer

Key	Part#	SKU	Description	Key	Part#	SKU	Description
1	Motor	CALL	3 to 15HP Single or 3-Phase	15d	350027	617645	Impeller EQW300 & EQ1500
2	356713	632842	Motor Support (Req. 2)	15e	350070	632378	Impeller EQW500
3	356712	632843	Support Adapter	16	071037	601157	Lock Screw, Impeller
4	072184	40900	Washer 3/8"	17a	350032	617646	Diffuser EQ500
5	98220600	608992	Lock-washer, Adapter	17b	350033	622852	Diffuser EQ750-1000
6a	A135	40061	Bolt 3/8" x 3/4"	17c	356735	617648	Diffuser EQW300 & EQ1500
6b	350073	40066	Bolt 3/8" 1-1/2"	17d	357273	632040	Diffuser EQW500
7	356790	632037	Motor Adapter	18	51008500	611147	Washer 1/4"
8	075842	600919	Washer 1/2"	20	350035	617649	Screw 1/4" x 1-1/2"
9	350063	622190	Lock-washer, Adapter	19	072172	609114	Lock-washer 1/4"
10a	354290	40063	Bolt 3/8" x 1"	20	356797	617650	Screw, 1/4" x 1-3/4"
10b	075843	609110	Bolt 1/2" x 1-1/4"	21	350037	617659	O-ring, Diffuser
11	356710	632844	Bolt, 5/8" x 6-1/2"	22	356755	617660	Pump Housing
12	356789	617658	Washer 11/16"	23	356776	632845	Nut 5/8"
13	356795	617641	Seal Plate	24	154699	40288	Drain Plug
14	071725S	601167	Pump Seal	25	O-130	66528	O-ring, Drain Plug (192115)
15a	350030	617642	Impeller EQ500	26	350060	617651	Dowel Pin 5/16" x 1-3/4"
15b	350029	622844	Impeller EQ750	28	356780	617652	O-ring, Seal Plate
15c	350028	617644	Impeller EQ1000	29	340013	617653	Strainer 6" Ports

Pentair Pumps Challenger

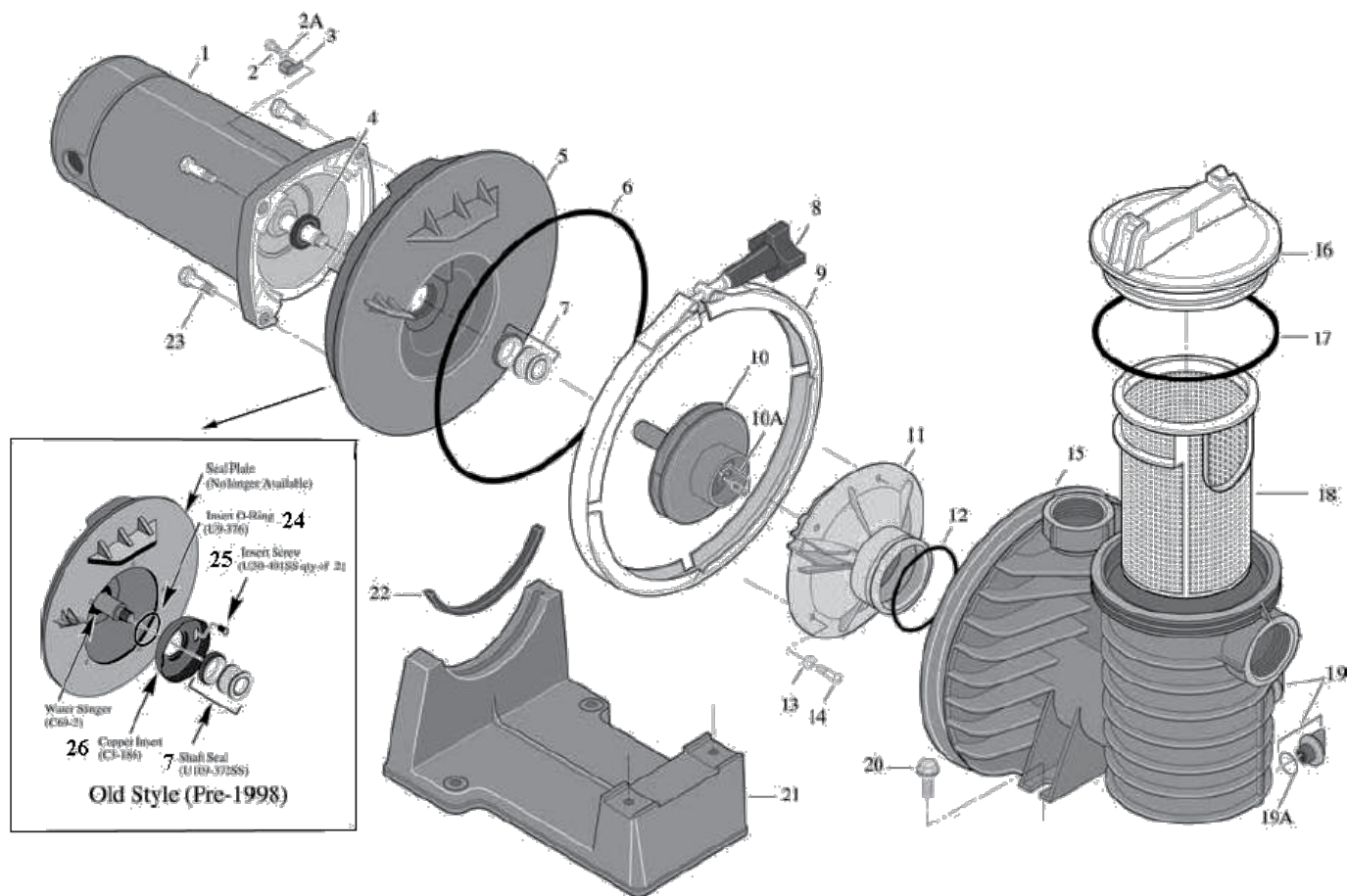


Key	Part#	Sku	Description	Key	Part#	Sku	Description
1	Motor		Square Flange	6h	355069	600569	3HP
2a	355303	40736	Seal Plate	7a	355320	40217	Housing Clamp Assy.
3.1— Mounting Plates: High Pressure Pumps				7b	354629	40218	Housing Clamp (No Knob)
3a	355384	40583	1/2 HP	8a	355468	600568	Housing, Black
3b	355317	40584	3/4 HP to 3HP	8b	355469	622664	Housing, Almond
3.2— Mounting Plates: High Flow Pumps				9	354290	40063	Motor Bolt, 3/8"
3c	355028	601009	1/2 to 3/4 HP	10	355389	40517	Locking Screw, Impeller
3d	355078	601008	1 to 1-1/2HP	11	355305	601001	Pump Base
3e	355095	601007	2HP	11b	355385	600565	Motor Spacer
3f	355495	600571	3 HP	12	355334	40655	Screw, Diffuser
4	PS-200V	40677	Pump Seal (354545S)	13	O-395	66499	O-Ring, Diffuser (355030)
5.1— Impellers: High Pressure Pumps: Full-Rate (Up-Rate)				14a	O-419	66523	O-Ring, Housing (Pac-Fab)
5a	355147	40390	1/2HP (3/4UR)	14b	O-506	608185	O-Ring, Housing (Square Ring) 355329
5b	355187	40391	3/4HP (1UR)	15	355335	40219	Screw, Base
5c	355369	40392	1HP (1-1/2UR)	16,24	O-130	66528	O-Ring, Drain Plug (192115)
5d	355315	40393	1-1/2HP (2UR)	17,23	154699	40288	Drain Plug, 1/4"
5e	355604	40394	2HP (2-1/2HP)	18	152060	44088	Bolt, Clamp
5f	355544	40271	3HP	19	072173	603257	Washer, Clamp Bolt
5.2— Impellers: High Flow Pumps: Full-Rate (Up-Rate)				20a	174882	40529	Knob, for T-Bolt Clamp (New)
5g	355043	40396	1/2HP (3/4UR)	20b	175025	44407	Knob, for Bolt Clamp (Old)
5h	355067	40397	3/4HP (1UR)	21	O-301	66493	O-Ring, Strainer Flange (355330)
5i	355074	40398	1HP (1-1/2UR)	22	354265	609156	Screw, Strainer
5j	355086	601006	1-1/2HP (2UR)	25a	355300	40779	Strainer Pot
5k	355093	601005	2HP (2-1/2UR)	25b	355900	600567	Strainer Pot, 5HP 3" Ports
5l	355068	600570	3HP (5UR)	26a	B-219	36343	Basket, 1/2 to 2-1/2HP (355318)
6.1— Diffusers: High Pressure Pumps				26b	355441	601000	Basket, 3HP
6a	355148	40240	1/2HP	26c	355901	605472	Basket, 5HP
6b	355188	40241	3/4 to 1HP	27a	O-302	66524	O-Ring, Lid (Pac-Fab Pre-1998)
6c	355270	40242	1-1/2HP	27b	O-318	66110	O-Ring, Lid (Pentair) 350013
6d	355545	40243	2 to 3HP	27c	152509	44562	Square-Ring, Lid 5HP
6.2— Diffusers: High Flow Pumps				28a	355301	40559	Strainer Lid
6e	355029	601004	1/2 to 3/4 HP	28b	355902	600566	Strainer Lid, 5HP
6f	355077	601003	1HP to 1-1/2HP	29	552377	68040	Reducer Bushing
6g	355094	601002	2HP to 2-1/2HP	31	154527	44991	Lid Wrench, 5HP

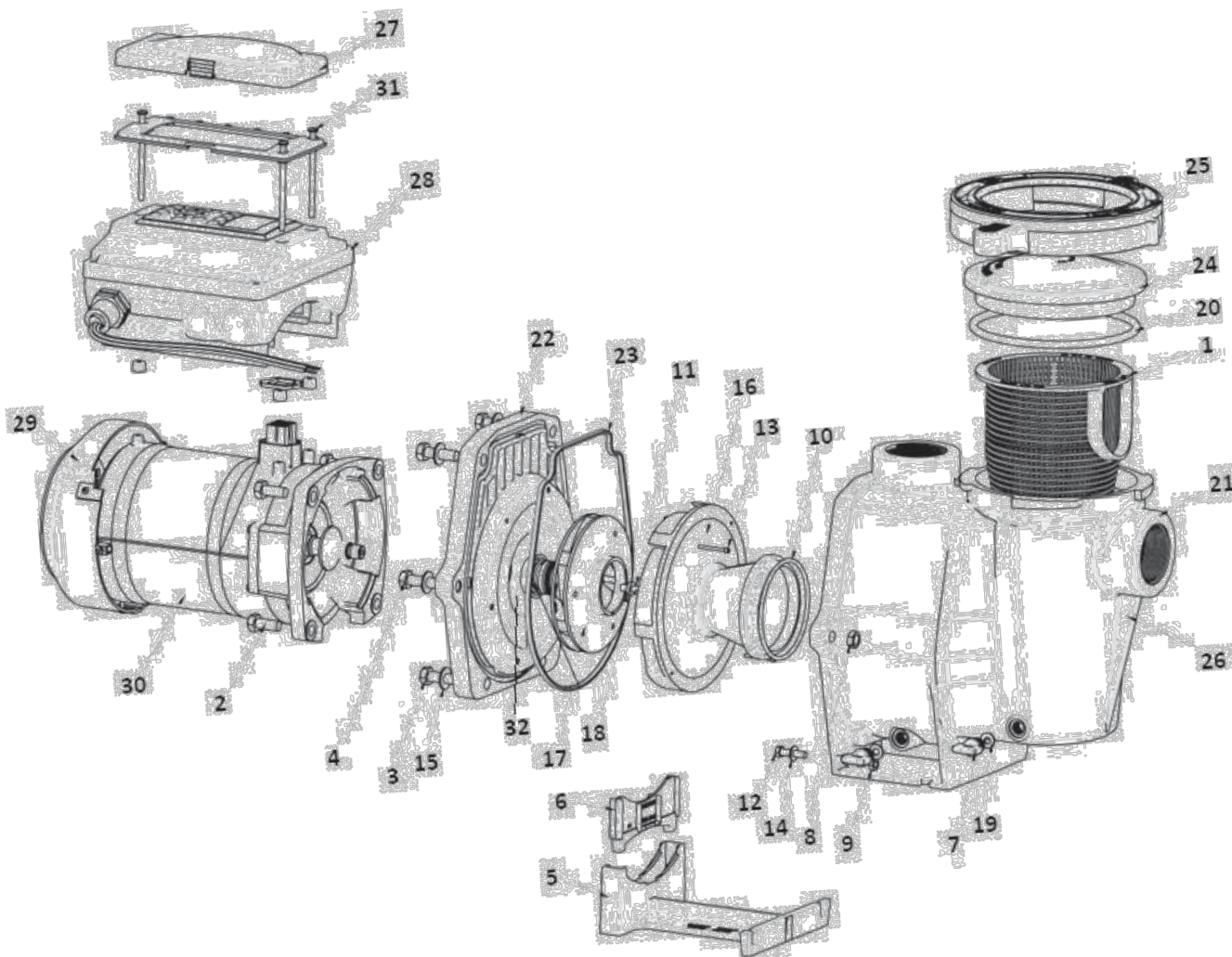


Key	Part#	Sku	Description	Key	Part#	Sku	Description
1	Motor		Square Flange	12	C176-47P1	40817	Pump Housing
2	17351-0009	601235	Water Slinger	13	16504	16504	Drain Plug, 1/4" Generic
3	C203-193P	40748	Seal Plate Kit (Incl. 4 & 5)	13a	U178-920P	40288	Drain Plug, 1/4"
4	O-240	66633	O-ring, Seal Plate (U9-228A)	13b	O-39	66679	O-ring, Drain Plug (U9-359)
4,11,22,24		65006	O-Ring Kit	14a		38599	Motor Base, 56-Frame
5	PS-200V	40677	Pump Seal (17304-0100S)	14b	C104-42P	601223	Motor Base, 48-Frame
6	WC36-22	44831	Knob, Clamp	14c	C104-41P	601236	Motor Base, 3HP Only
6a	C19-37A	40222	V-Clamp, Housing	15	C35-11	601277	Spacer, Motor Pad
7 — Impellers			HP Full-Rate (Up-Rate)	16	U43-42SS	40900	Washer, Base
	C105-92PS	40507	1/2HP (3/4UR)	17a	U30-74SS	609059	Bolt, Motor/Base
	C105-138PEB	40508	3/4HP (1UR)	17b	U30-99SS	60859	Bolt, Motor/Base 3HP
	C105-137PEB	40509	1HP (1-1/2UR)	18a	U30-77SS	609118	Bolt, Motor/Housing
	C105-137PDBA	40501	1-1/2HP (2UR)	18b	U30-778SS	609058	Bolt, Motor/Housing 3HP
	C105-137PDA	40504	2HP (2-1/2UR)	19	U30-64SS	609133	Bolt, Strainer
	C105-137PKBA	40505	3HP	20	U43-11SS	609132	Lock-washer, Strainer
	C105-137PEBA	40499	2-Speed 1/4 to 1-1/2	21	U43-41SS	601243	Washer, Strainer
7a	C30-12	40518	Impeller Screw (1-1/2 to 3HP)	22	G-99	64715	Gasket, Strainer (C20-123)
8a	C1-217P	600963	Diffuser Up-Rate 1/2 to 3/4HP	23	C3-139P1	40572	Cover
8b	C1-216P	40282	Diffuser Full-Rate 1/2 to 3/4HP	24	O-218	66634	O-Ring, Cover (U9-229)
8c	C1-200PA	40283	Diffuser 1 to 2-1/2HP	25a	B-106	36440	Basket (C108-33P)
9	U30-542SS	609148	Screw, Diffuser	25b	B-33	36438	Basket, Course Mesh
10	U43-21SS	609117	Lock-washer, Diffuser	26	C153-53P1	40800	Strainer Body
11	O-49	66632	O-ring, Diffuser (U9-226)	27	PS-100V	40676	Pump Seal (Pre-1998) U9103-93SS
				28	J3-2	40720	Copper Insert, Seal (Pre-1998)

Pentair/Sta-Rite Pumps
Dura-Glas II & Max-E-Glas II

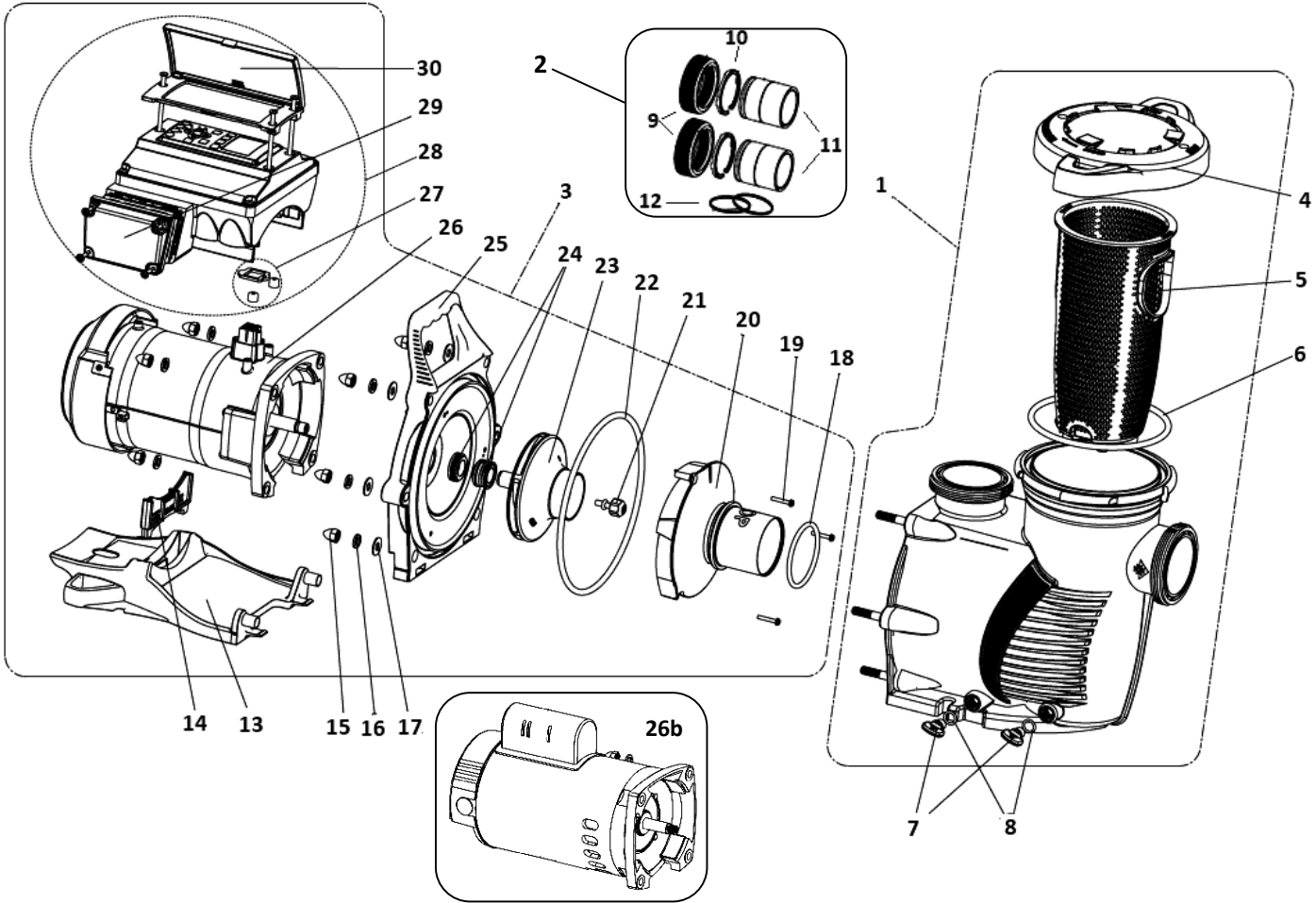


Key	Part#	Sku	Description	Key	Part#	Sku	Description
1	Motor		Square Flange	10c	35505-1426	608474	O-Ring, Impeller
2	U30-692SS	609134	Bolt, Motor/Seal Plate	11a	C1-271P1	40286	Diffuser 1 to 1-1/2HP
2a	U43-22SS	611629	Lock-washer, Motor	11b	C1-271P	40287	Diffuser 1-3/4 to 3HP
3	U17-568	601178	Bonding Lug	12	O-83	66535	O-ring, Diffuser (U9-374)
4	17351-0009	601235	Water Slinger	13	U43-21SS	609117	Lock-washer, Diffuser
5	C203-194P	40739	Seal Plate Kit (Incl. #6 & 7)	14a	U30-542SS	609148	Screw, Diffuser 3/4 to 1HP
6	O-240	66633	O-ring, Seal Plate (U9-228A)	14b	U30-922SS	608848	Screw, Diffuser 1-1/2 to 3HP
6,12,17	65038		O-Ring Kit	15	C176-59P	601228	Pump Housing
7	PS-201V	40678	Pump Seal (37400-0027S)	16a	C3-185P	40573	Cover
8	WC36-22	44831	Knob, Clamp	17	O-12	66108	O-ring, Cover (U9-375)
9	C19-37A	40222	V-Clamp	18	B-215	36437	Basket (C8-58P)
10 — Impellers			Full-Rate (Up-Rate)	19	16504	16504	Drain Plug, 1/4"
	C105-238P	40495	3/4HP (1UR)	19a	U178-920P	40288	Drain Plug, 1/4" w/O-ring
	C105-238PB	40496	1HP (1-1/2UR)	19b	U9-359	66679	O-ring, Drain Plug
	C105-238PDBA	40498	1-1/2HP (2UR)	20	U30-918SS	40650	Bolt, Base
	C105-238PDCA	622581	1-3/4UR	21a	C104-79P	601245	Motor Base, 56-Frame w/Spacer
	C105-238PEBA	40511	2HP (2-1/2UR)	21b	C4-78P	CALL	Motor Base, 48-Frame (No Spacer)
	C105-238PLA	40512	3HP	22	C35-43	40594	Spacer Pad, Motor Base
	C105-138PEB	40508	2-Speed 1/8 to 1HP	23a	U30-74SS	609059	Bolt, Motor
	C105-137PEBA	40499	2-Speed 1/4 to 1-1/2HP	23b	U30-99SS	626634	Bolt, 3HP Motor
	C105-137PDBA	40501	2-Speed 1/2 to 2HP	24	U9-376	66042	O-Ring, Insert
10a	37337-6080	608991	Impeller Screw	25	U30-401SS	609135	Screw, Insert
10b	37337-6081	609037	Impeller Screw 2-speed 1-1/2HP	26	C3-186	40722	Seal Insert SS

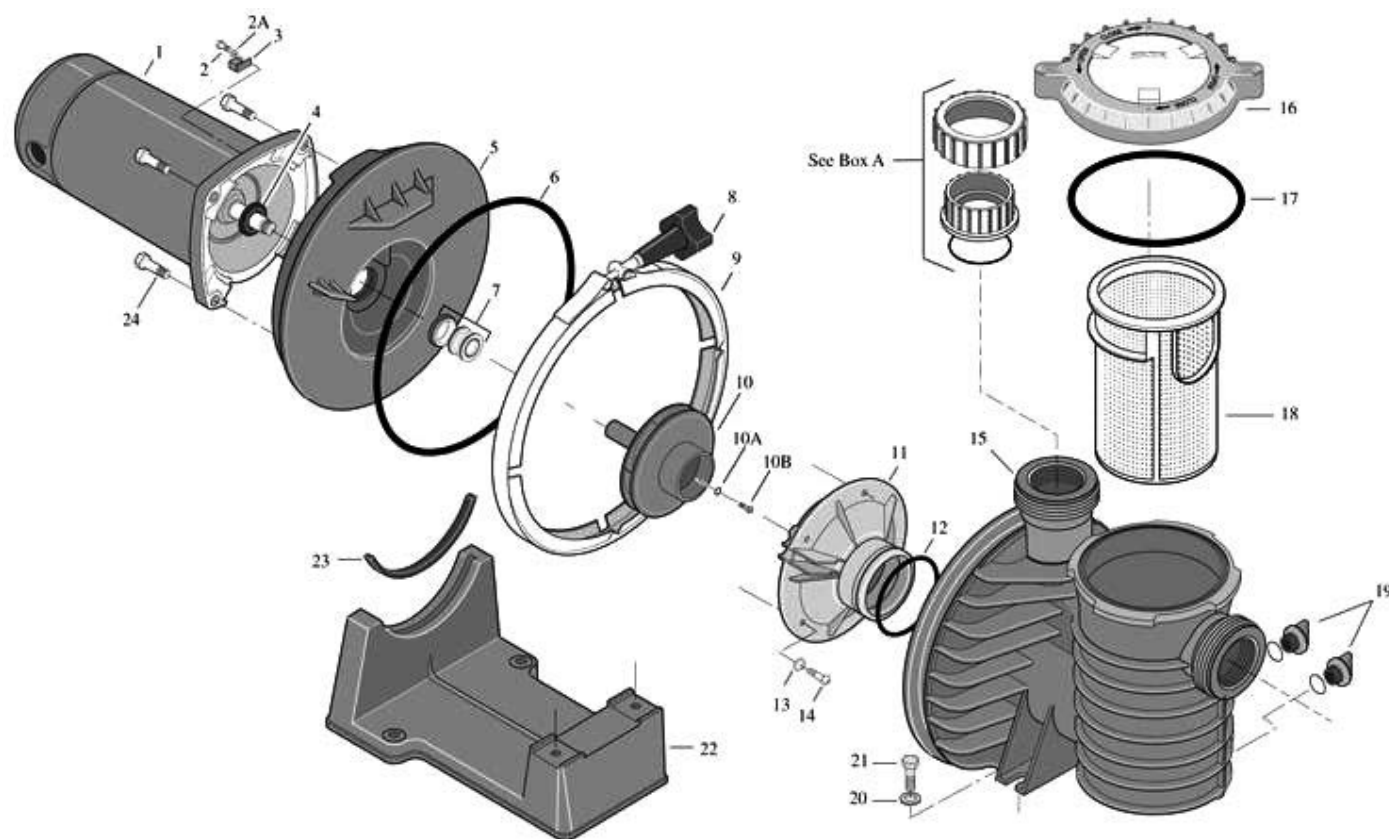


Key	Part#	SKU	Description	Key	Part#	SKU	Description
1	B-199	36380	Basket (070387)	19	O-130	66528	O-Ring, Drain Plug (192115)
2	070429	608868	Bolt, Motor	20	O-318	66110	O-Ring, Cover (350013)
3	070430	60859	Bolt, Seal Plate	21	350015	622719	Pump Housing (1998-)
4	070431	609108	Bolt, Housing	22a	350201	622694	Seal Plate
5	070927	601138	Motor Base	22b	350202	623437	Seal Plate Kit (Incl. Seal & Gasket)
6	070929	601137	Base Adapter	23a	G-413	64640	Gasket, Seal Plate (Pre-2008) 357102
7	071131	601136	Drain Plug	23b	357100	623464	Gasket (Black), Seal Plate (2008-)
8	071403	44480	Nut, Housing	24a	357151	600536	Strainer Cover
9	071406	603247	Nut, Base	24b	357156	622544	Cover, Chemical Resistant
10	O-359	66554	O-Ring, Diffuser (355227)	25	357199	622484	Lid Clamp
10,20,23	65032	O-Ring Kit		26	357243	CALL	Strainer Housing Kit
11	071652	601139	Screw, Impeller	27	350601	CALL	Cover, Pump Controls
12	071657	609107	Screw, Base	28a	350721	617702	Drive Assy. VF-3050 Controls
13	071660	601140	Screw, Diffuser	28b	353251	617703	Drive Assy. VS-3050 Controls
14	072183	603272	Washer, Base	28c	351021	623440	Drive Assy. SVRS Controls
15	072184	40900	Washer, Seal Plate	29	352401	CALL	Motor Fan
16	072928	601199	Diffuser	30	3501055	CALL	Motor, Variable Speed
17	073131	601287	Impeller	31	350612	626638	Cover Hardware
18	075713	622189	Rubber Washer	32	PS-1000V	40679	Pump Seal (071734S)

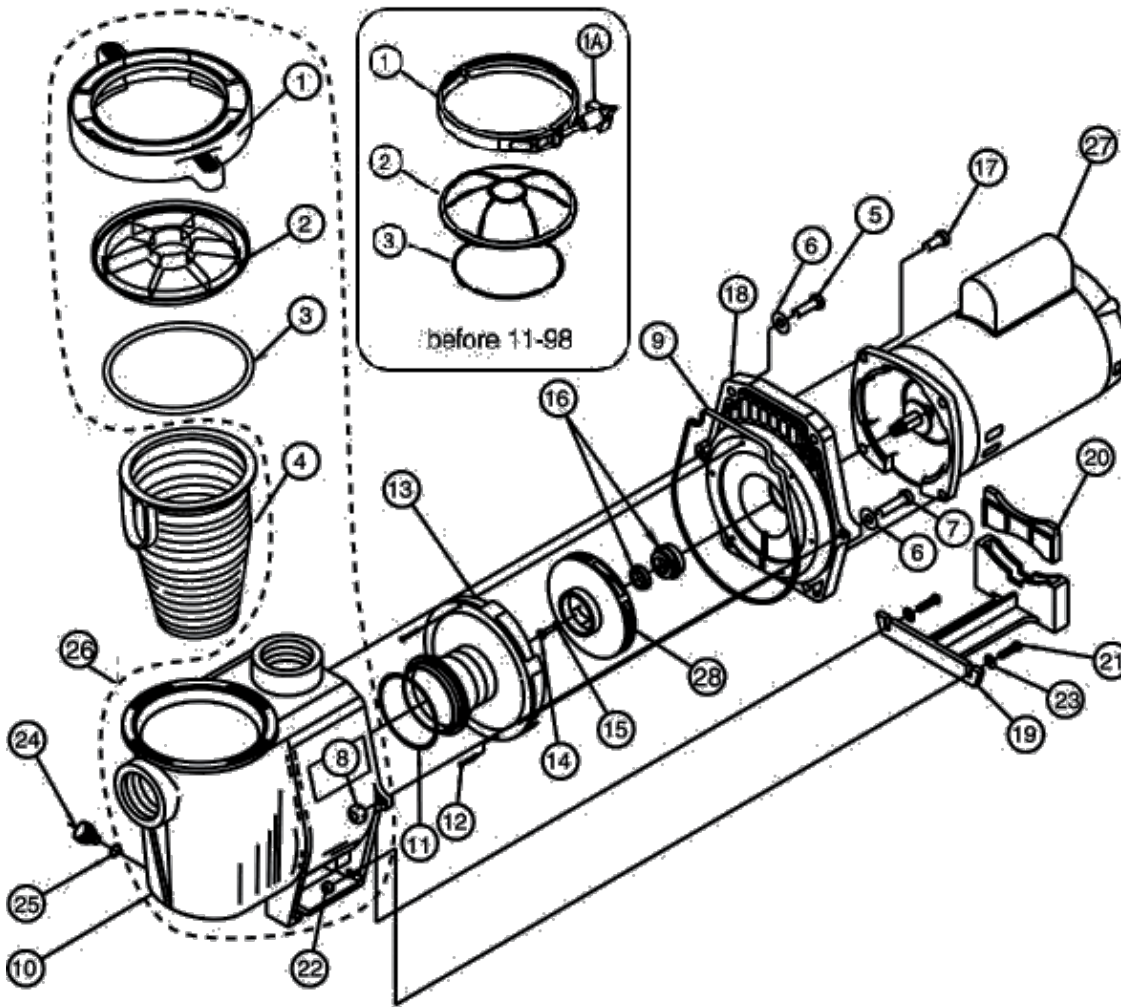
Pentair Pumps
IntelliFlo XF & WhisperFlo XF



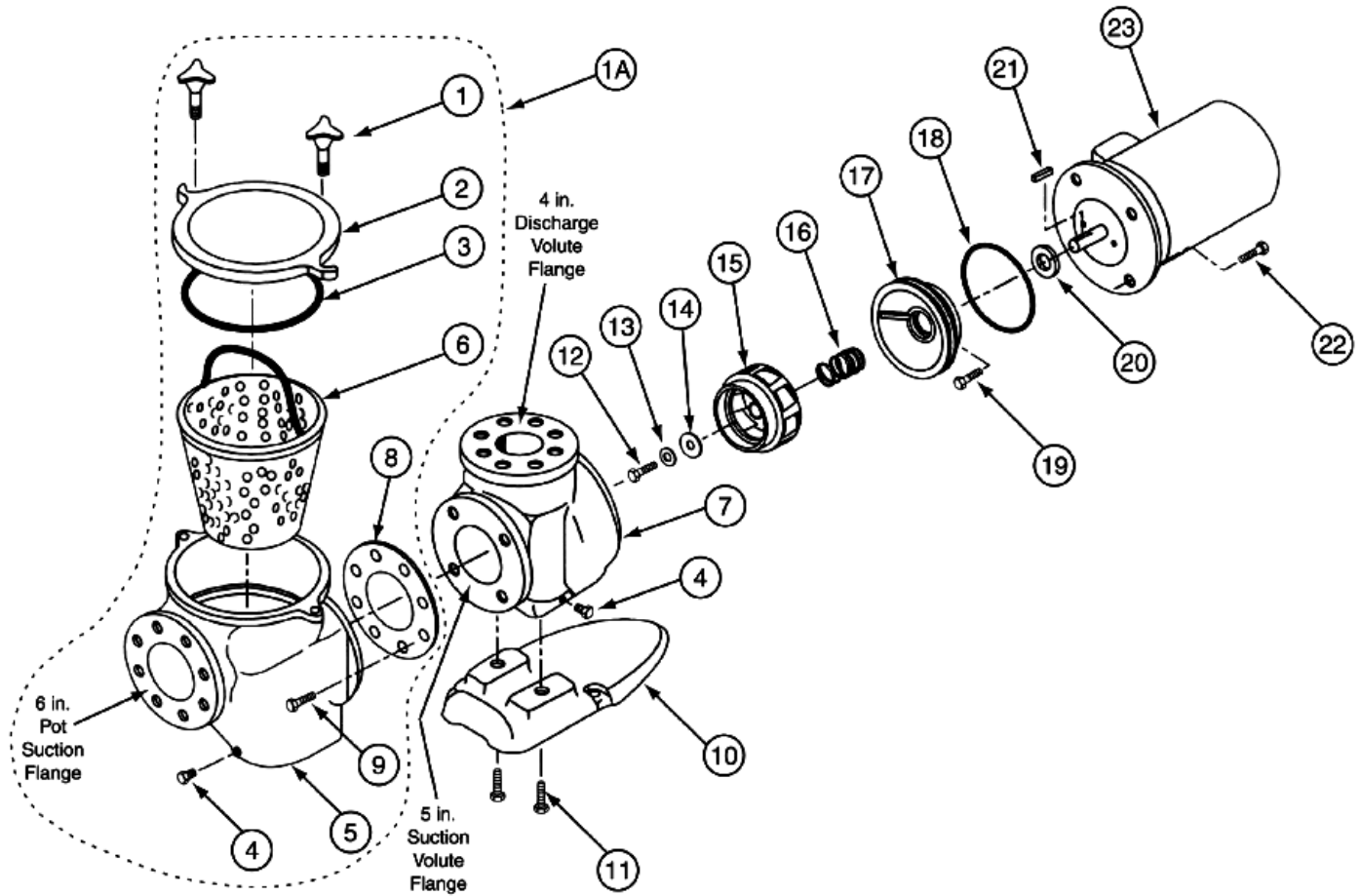
Key	Part#	SKU	Description	Key	Part#	SKU	Description
1	400000	CALL	Wet End Assembly	20— Diffusers- Varies by Model			
2	410020	CALL	Union Kit	20a	400010Z	CALL	IntelliFloXF
Power End Assy w/Drive & Motor- Varies by Model				20b	400010Z	CALL	WhisperFloXF 8 & 12
3a	400605Z	CALL	IntelliFloXF Variable Speed	<i>Models: XF8-12, XF30, XFE8-30, XFDS8-30, XFJ8-12, XFK8</i>			
3b	400612Z	CALL	WhisperFloXF Std. E 2HP	20c	400011	CALL	WhisperFloXF 20
3c	400613Z	CALL	WhisperFloXF Std. E 3HP	<i>Models: XFE20, XFJ20, XFK12</i>			
3d	400609Z	CALL	WhisperFloXF High E	21a	37337-6080	608991	Screw, Impeller (Reverse Thd.)
4	400006	CALL	Lid w/Lock Ring	21b	33455-1047	608165	O-ring, Impeller Screw
5	400007Z	CALL	Basket	22	351446	CALL	O-ring, Seal Plate
6	35505-1440	622358	O-Ring, Lid	23— Impellers -Varies by Model			
7	071131	601136	Drain Plug	23a	400015	632860	IFXF Variable Speed
8	O-130	66528	O-Ring, Drain Plug (192115)	23b	400015	632860	WFXF XF12, XFE12, XFDS12, XFJ12, XFK12
9	411000	CALL	Nut, Union	23c	400020Z	632861	WFXF XF8, XFE8, XFDS8, XFDS30, XF30, XFE30, XFJ8, XFK8
10	410001	CALL	C-Clip, Locking Ring	23d	400023Z	632862	WFXF XFE20, XFJ20, XFK20
11	410002	CALL	Adapter, Union	24	37400-0028S	626507	Pump Seal
12a	410006Z	CALL	Diamond Seal Kit, IFXF	25	400002	CALL	Seal Plate
12b	410016Z	CALL	Diamond Seal Kit, WFXF	26a	350105S	617705	Motor Kit IntelliFloXF
13	400004Z	CALL	Motor Base	26b	Motor	CALL	Motor Kit WhisperFloXF (Square Flange)
14	357160	CALL	Support Insert, Base	27	350612	626638	Hardware & Gasket Kit
15	071413	CALL	Acorn Nut (each)	28	353251	617703	Drive Assy. Kit
16	U43-12SS	601032	Split Lock Washer (each)	29	350621	CALL	Wire Cover w/Gasket
17	072184	632371	Washer, ea.	30	350601	617701	Control Cover Assy. Kit
18	350336	CALL	O-Ring, Diffuser	<i>IFXF –IntelliFloXF WFXF –WhisperFloXF</i>			
19	353323	CALL	Screw, Diffuser				



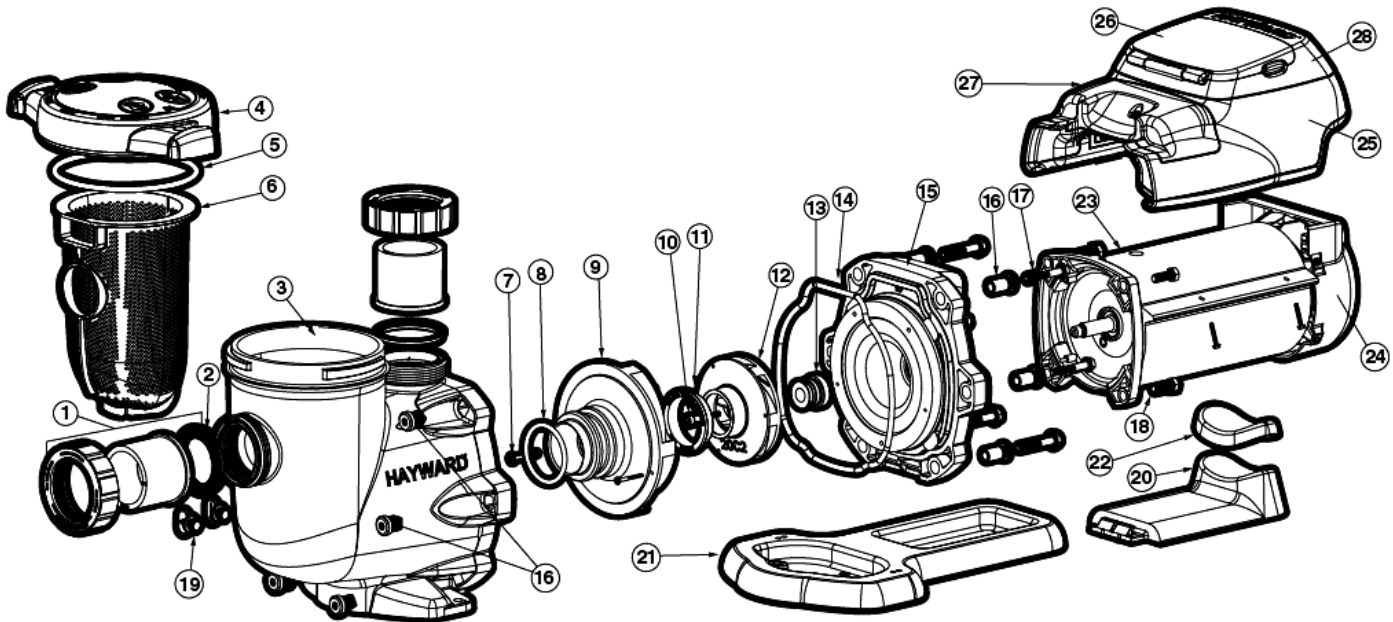
Key	Part#	SKU	Description	Key	Part#	SKU	Description
1	Motor		Square Flange	11a	C1-271P1	40286	Diffuser 1/2 to 1-1/2HP
2	U30-692SS	609134	Screw	11b	C1-271P	40287	Diffuser 1-3/4HP
2a	U43-22SS	611629	Lock-Washer	11c	C1-271PA	CALL	Diffuser 2 to 3HP
3	U17-568	601178	Bonding Lug	12	O-83	66535	O-ring, Diffuser (U9-374)
4	17351-0009	601235	Water Slinger	13	U43-21SS	609117	Lock-Washer, Diffuser
5	C203-194P	40739	Seal Plate Kit (Incl.#6 & 7)	14	U30-542SS	609148	Screw, Diffuser
6	O-240	66633	O-ring, Seal Plate (U9-228A)	15	17307-0110S	622753	Tank Housing Assy. (Incl.# 16-19)
7	PS-201V	40678	Pump Seal (37400-0027S)	16	17307-0111S	622549	Cover Kit (Lid, Ring & O-ring)
8	WC36-22	44831	Knob, Clamp	17	35505-1440	622358	O-ring, Cover
9	C19-37A	626594	V-Clamp	18	B-215	36437	Basket (C8-58P)
10 — Impellers (Single Phase)				19a	16504	16504	Drain Plug, 1/4"
	C105-238PX	622574	1/2HP	19b	U178-920P	40288	Drain Plug, 1/4" w/O-ring
	C105-238P	40495	3/4HP	19c	O-39	66679	O-ring, Drain Plug (U9-359)
	C105-238PB	40496	1HP	20	U43-41SS	601243	Washer, Base
	C105-238PDBA	40498	1-1/2HP	21	U30-918SS	40650	Screw, Base
	C105-238PDCA	622581	1-3/4HP	22a	C4-78P	CALL	Base
	C105-238PEBA	40511	2HP	22b	C104-79P	601245	Base w/Motor Pad
	C105-238PLA	40512	3HP	23a	C35-43	40594	Motor Pad
	C105-238PBA	600965	2-Speed 1/4 to 1-1/2HP	23b	C35-44	40596	Motor Pad (for 3HP)
	C105-238PDBA	40498	2-Speed 1/3 to 2HP	24a	U30-74SS	609059	Bolt, Motor
10a	35505-1426	608474	O-ring, Impeller Screw	24b	U30-99SS	626634	Bolt, 3HP Motor



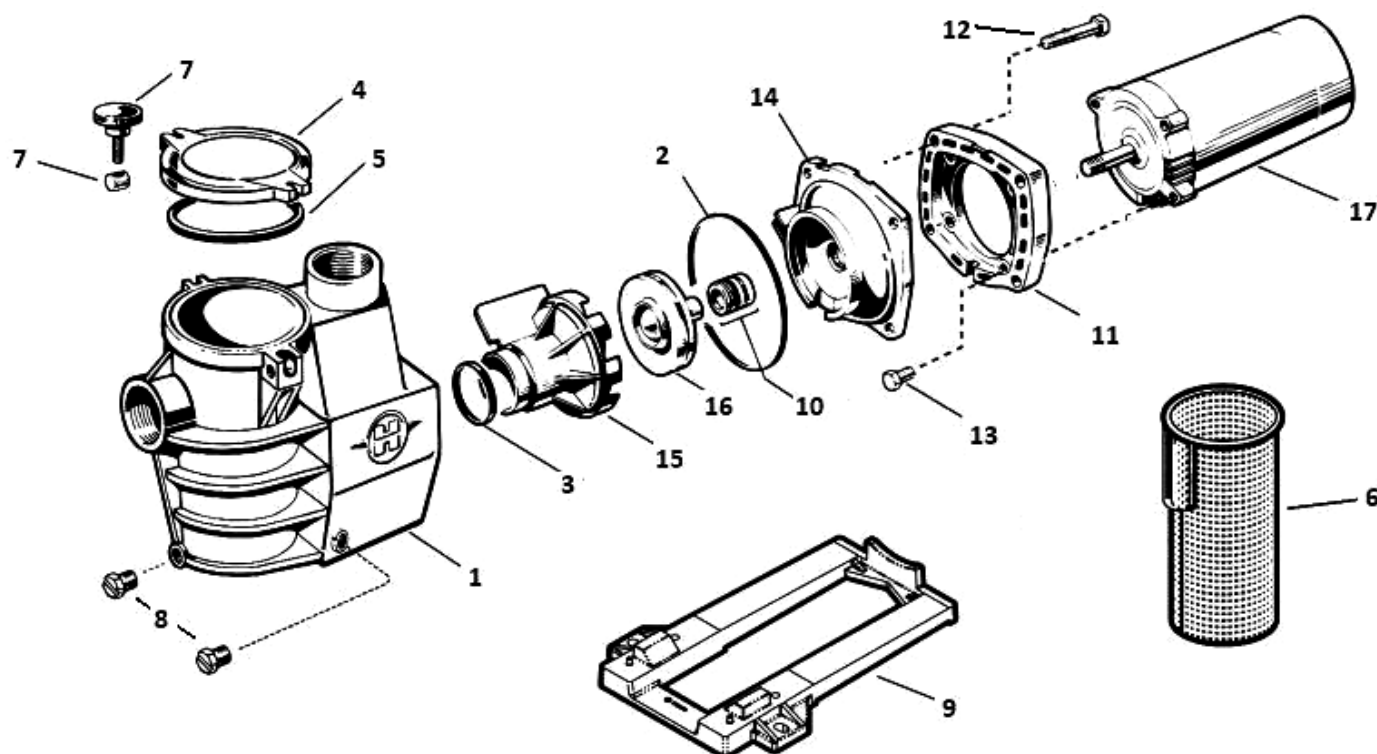
Key	Part#	SKU	Description	Key	Part#	SKU	Description
1a	071136	603261	Knob, Clamp (Pre-1998)	14	071652	601139	Screw, Impeller
1b	070711	601305	Lid Clamp, SS (Pre-1998)	15	175713	58392	Gasket, Impeller
1c	357199	622484	Cam Clamp, Almond (1999-Current)	16	PS-1000V	40679	Pump Seal (071734S)
1d	357150	600537	Cam Clamp, Black (1998-99)	17	070429	608868	Bolt, Motor
2a	070795	601142	Cover, Clamp Style (Pre-1998)	18	350201	622694	Seal Plate Kit (Incl.# 16), Almond
2b	357151	600536	Cover, Cam Style (1998-)	19	070927	601138	Base, Almond
3a	O-108	66380	O-ring, Cover (Pre-1998) 071422	20	070929	601137	Spacer, Almond Base
3b	O-318	66110	O-Ring, Cover (1998-) 350013	21	071657	609107	Screw, Base
3,9,11		65032	O-Ring Kit	22	071406	603247	Nut, Base
4	B-199	36380	Basket (070387)	23	072183	603272	Washer, Base
5	070430	60859	Bolt 3/8" x 7/8", Housing	24	071131	601136	Drain Plug, Almond
6	072184	40900	Washer 3/8", Housing	24	357161	40288	Drain Plug, Black
7	070431	609108	Bolt 3/8" x 2", Housing	25	O-130	66528	O-ring, Drain Plug (192115)
8	071403	44480	Nut 3/8", Housing	26a	357243	617700	Strainer Assy. (Incl.# 1-4,10 & 24-25)
9a	O-304	64635	O-ring, Seal Plate (Pre-1998) 071445	26b	357149	600535	Volute Assy. (Repl.# 074565) Almond
9b	G-413	64640	Gasket, Seal Plate (1998-) 357102	27	Motor		Square Flange
10a	357149	600535	Volute, Almond (Repl.# 074565)	28a	073126	601292	Impeller 1/2HP (3/4UR)
10b	350015	622719	Housing, Almond	28b	073127	601291	Impeller 3/4HP (1UR)
11	O-359	66554	O-ring, Diffuser (071444)	28c	073128	601290	Impeller 1HP (1-1/2UR)
12	071660	601140	Screw, Diffuser	28d	073129	601289	Impeller 1-1/2HP (2UR)
13a	072927	601198	Diffuser 1/2 to 2-1/2HP	28e	073130	601288	Impeller 2HP (2-1/2UR)
13b	072928	601199	Diffuser 3HP	28f	073131	601287	Impeller 3HP



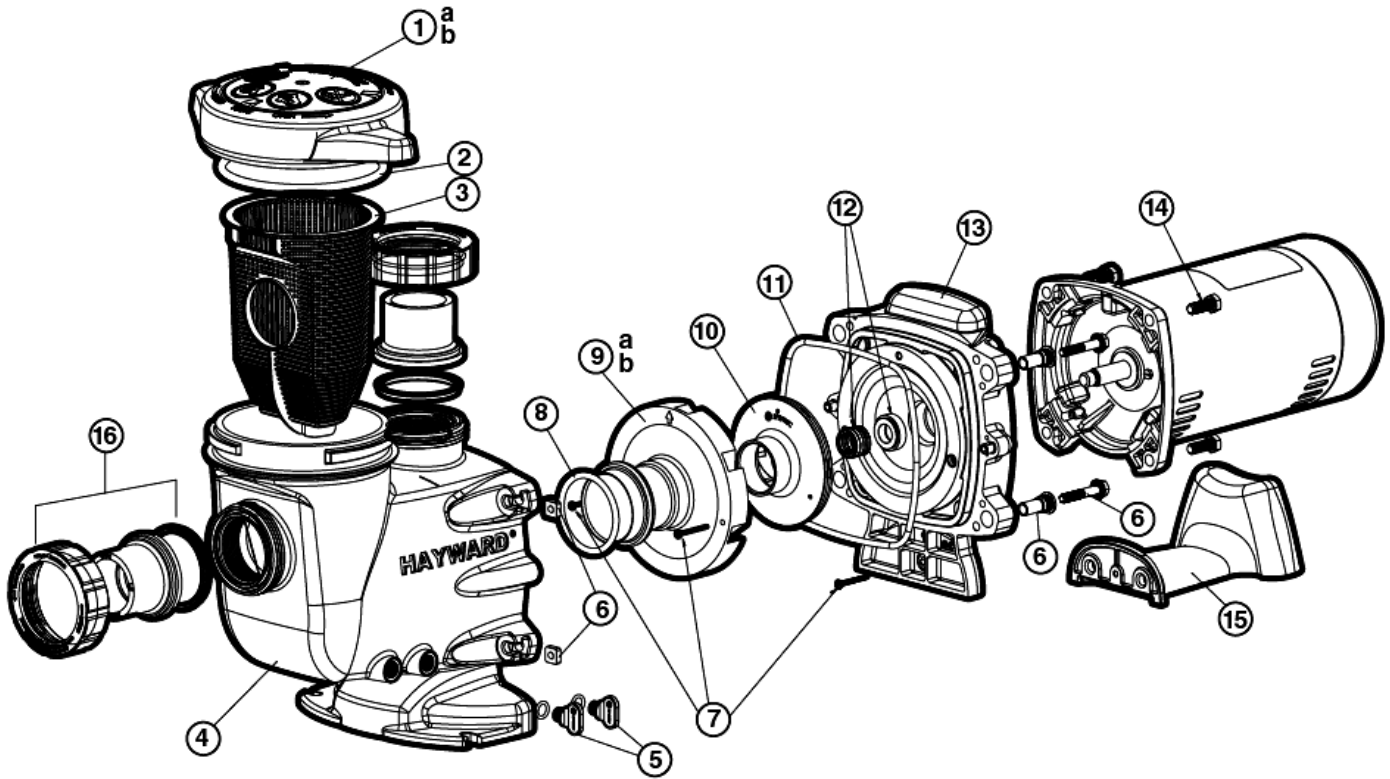
Key	Part#	Sku	Description	Key	Part#	Sku	Description
1	075280	601304	Knob, Lid	15b Impellers, High Head			
2	075275	601159	Lid, Strainer	073828	601208	5HP	
3	071433	608737	O-Ring, Lid	073829	601165	7.5HP	
4	071551	40640	Drain Plug 1/4"	073830	601205	10HP	
5	075271	601160	Strainer Only	073831	601163	15HP	
6	072795	605726	Basket 11"	073832	601162	20HP	
7	075273	601161	Volute	16	071725	601167	Pump Seal 360
8	070943	608747	Gasket, 5" Flange	17	070906	601166	Seal Plate Flange
9	071683	609112	Screw 3/4", Flange	18	071423	608288	O-Ring, Flange
10	075287	601286	Base	19	071681	60856	Screw 3/8, Flange
11	071688	609111	Screw 5/8", Base	20	072185	601156	Water Slinger
12	071037	601157	Locking Screw, Impeller	21	071046	601155	Key, Pump Shaft
13	071048	601158	Washer, Impeller	22	071687	609110	Set Screw 1/2"
14	075713	622189	Gasket, Impeller Screw	23	Motor	CALL	220/440V Single or 3-Phase
15a Impellers, Medium Head							
	070228	601207	5HP				
	070227	601206	7.5HP				
	070226	601164	10HP				
	070225	601204	15HP				



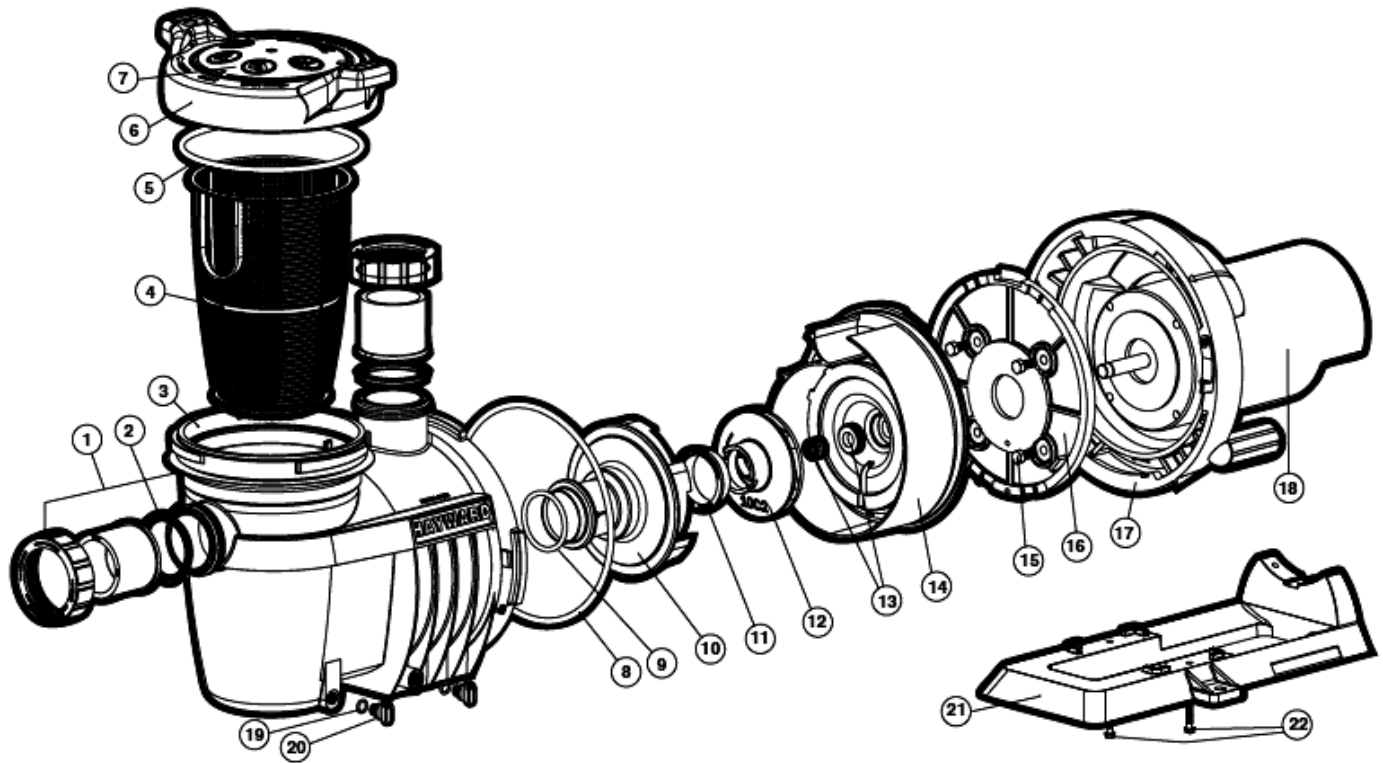
Key	Part#	Sku	Description	Key	Part#	Sku	Description
1	SPX3200UNKIT	52280	Union Connector Kit	16	SPX3200Z211	623853	Insert Spacer, Housing
2	SPX3200UG	623808	Gasket, Union T-Seal	17	SPX3200Z3	623761	Bolt, Housing
3	SPX3200A	624037	Strainer Housing	18	SPX3200Z5	623792	Bolt, Motor
4	SPX3200DLS	623956	Cover Kit	19	SPX4000FG	40643	Drain Plug w/O-Ring
5	SPX3200S	66112	O-Ring, Cover	20	SPX3200GA	623887	Motor Bracket
6	SPX3200M	39091	Basket	21	SPX3200WF	623890	Motor Spacer, Short
7	SPX3200Z8	623807	Screw, Diffuser	22	SPX3200Q	CALL	Adapter, Base
8	SPX4000Z1	66535	O-Ring, Diffuser	23	SPX3400Z1ECM	617676	Motor
9	SPX3200B3	623889	Diffuser	24	SPX3400FAN	617677	Shroud, Motor Fan
10	SPX3200Z1	623780	Screw, Impeller	25a	SPX3400DR	617670	Motor Drive w/Interface
11	SPX3021R	40514	Ring, Impeller	25b	SPX3400DRVR	617671	Motor Drive w/Interface SVRS
12	SPX3220C	623909	VS Impeller w/Screw	26	SPX3400DR4	617672	Cover, Interface Display
13	SPX3200SA	40709	Pump Seal	27	SPX3400DR2	617673	Wiring Cover
14	SPX3200T	66113	O-Ring, Housing	28	SPX3400LCD	617674	Digital Interface Assy.
15	SPX3200E	623912	Seal Plate		SPX3400DRKIT	617675	Wall Mounting Kit



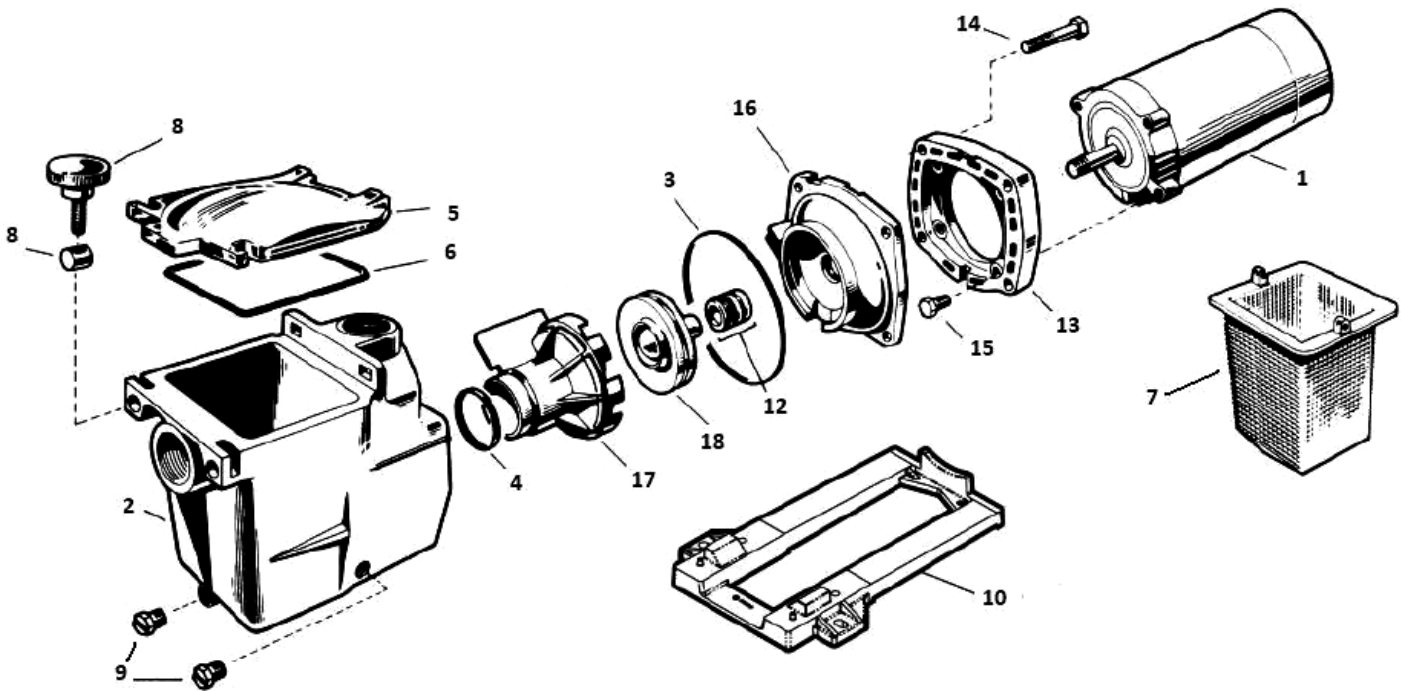
Key	Part#	Sku	Description	Key	Part#	Sku	Description
1a	SPX2800AAC	615062	Housing Conversion Kit Includes: Housing, Basket, Cover, Cover Gasket & Knob/Nuts	13	SPX0125Z44	40062	Bolt, Motor
1b	SPX2800AA	601273	Housing, 2800-Series (Pre-1995)	14	SPX1600SKIT2	40743	Seal Plate
2	G-95	64333	Gasket, Housing (SPX1600T)	15	SPX2800B	40277	Diffuser
3	O-141	64385	Gasket, Diffuser (SPX1600R)	16a	SPX2600C	40423	Impeller, 1/2HP, 2800-Series
---	SPX1600TRA	613033	Seal Assembly Kit Includes: Seal Assembly, Diffuser Gasket and Housing Gaskets	16b	SPX2605C	40417	Impeller, 3/4HP, 2800-Series
4	SPX1250LA	40783	Cover, Strainer	16c	SPX2607C	40416	Impeller, 1HP, 2800-Series
5	O-76	64450	Gasket, Strainer (SPX0125T)	16d	SPX2610C	40419	Impeller, 1-1/2HP, 2800-Series
6a	SPX1250RA	626397	Basket (Pre-1995)	16e	SPX2615C	40420	Impeller, 2HP, 2800-Series
6b	SPX2800M	605302	Basket (1995-)	17	Motor		C-Face Thd. Shaft
7a	SPX1250Z4	40305	Hand Knob (Pre-1994)	Drive Train Upgrade Kits— 1800-Series Pumps			
7b	SPX1600PN	40528	Hand Knob & Nut Kit (1995-)	Includes: Impeller, Diffuser, Seal Plate & Gaskets			
8a	SPX1600V	607904	Drain Plug, 1/4" (Pre-1991)	For replacement SPX1800 part numbers (Pre-1983) use these new kits to improve flow, GPM, reduce noise and provide better energy efficiencies. Older style parts are no longer available individually.			
8b	SPX1700FG	16504	Drain Plug 1/4"	15-16	SPX2800CKIT	600660	Drive Train Upgrade, 1/2HP
9	SPX2600G1	38381	Pump Base w/Spacer	15-16	SPX2805CKIT	600659	Drive Train Upgrade, 3/4HP
9a	SPX1600Z52	40651	Screw, Base	15-16	SPX2807CKIT	600658	Drive Train Upgrade, 1HP
10	PS-201V	40678	Pump Seal (SPX1600Z2)	15-16	SPX2810CKIT	600657	Drive Train Upgrade, 1-1/2HP
11	SPX1600F5	40590	Motor Mounting Plate	15-16	SPX2815CKIT	600656	Drive Train Upgrade, 2HP
12	SPX1600Z4	40067	Bolt, Housing				



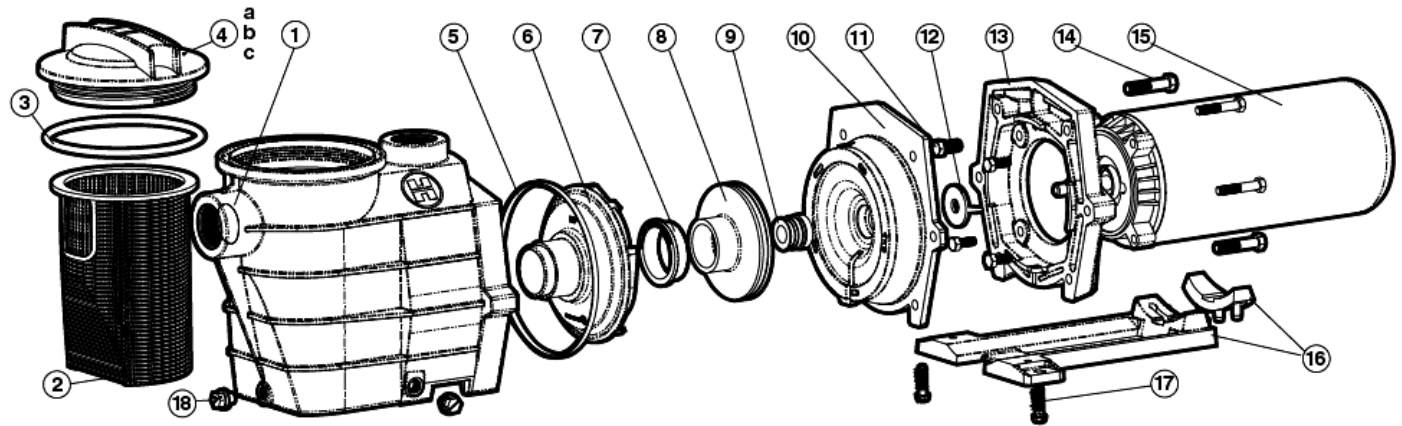
Key	Part#	Sku	Description	Key	Part#	Sku	Description
1a	SPX2700DLS	40121	Cover Kit (incl: Cover, Lock-Ring & O-Ring)	11	O-263	66282	O-Ring, Housing (GMX600F)
1b	SPX2700DLSB	40120	Cover Kit (for Biguanide Sanitizers)	12	SPX2700SA	40714	Pump Seal
2	SPX2700Z4	66246	O-Ring, Cover	13	SPX2700E	40132	Seal Plate
3	SPX2700M	36082	Basket	14	SPX3200Z5	623792	Bolt, Motor
4	SPX2700AA	40123	Pump Housing Kit Includes: Housing, Cover Assy., Basket & Plugs	15	SPX2700G	40134	Pump Base
5	SPX4000FG	40643	Drain Plug	16	SPX2700UNKIT	40135	Half Union (2-pk)
6	SPX2700ZPAK	40125	Hardware Pack (Includes: 4 Housing Bolts, Nuts, Seal-Plate & Spacers	16a	SPX3200UG	623808	Gasket, Union
7	SPX2700Z3	40126	Diffuser Screws (3-Req.)	10a	SPX2700C	40128	Impeller, 3/4HP
8	SX220Z2	66242	O-Ring, Diffuser	10b	SPX2707CM	40129	Impeller, 1HP
9a	SPX2700B	40127	Diffuser, 1/2 to 1-1/2HP	10c	SPX2710CM	40130	Impeller, 1-1/2HP
9b	SPX2700BE	40124	Diffuser, 2HP Only	10d	SPX2715CM	40131	Impeller, 2HP
					Motor		Square Flange



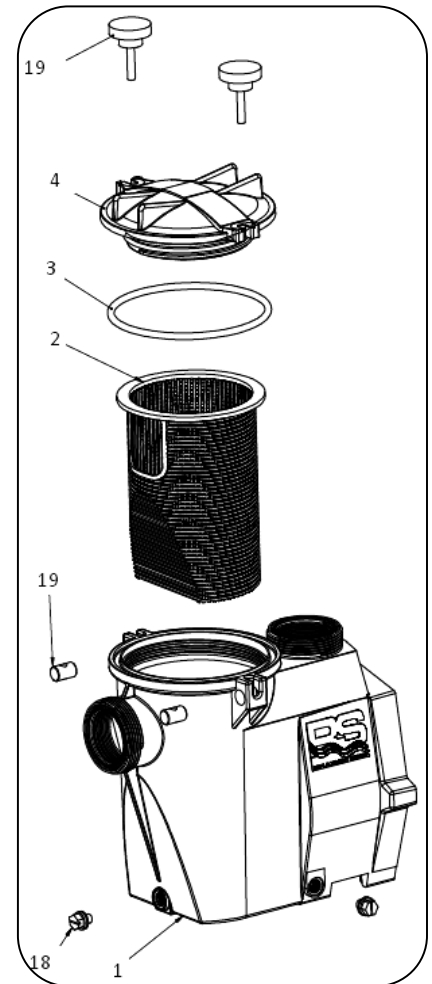
Key	Part#	Sku	Description	Key	Part#	Sku	Description
1a	SPX3200UNKIT	52280	Union Kit (2008-)	10	SPX4000B	40278	Diffuser
1b	SPX4000UNPAK1	68782	Union Kit (Pre-2007)	11	SPX3021R	40514	Impeller Ring
1c	SPX4000UNPAK2	623861	Curved Union (Pre-2007)	12a	SPX4007CKIT	600643	Impeller 3/4HP (1UR)
2	SPX3200UG	623808	T-Seal Gasket, Union	12b	SPX4010CKIT	600642	Impeller 1HP (1-1/2UR)
2a	O-83	66535	O-Ring, Union (Pre-2007) SPX4000Z1	12c	SPX4015CKIT	600641	Impeller 1-1/2HP (2UR)
3a	SPX4020TP	CALL	Pump Housing (2008-)	12d	SPX4020CKIT	600640	Impeller 2HP (2-1/2UR)
3b	SPX4000HSGKIT	CALL	Housing Kit (Incl.# 1,3 & 4)	12e	SPX4025CKIT	600639	Impeller 3UR
4a	B-218	36095	Basket (SPX4000M)	12f	SPX4030CKIT	600638	Impeller 3HP
5a	SPX4000S	CALL	O-ring, Cover (2008-)	13	SPX3200SA	40709	Pump Seal
5b	SPX4000TS	615064	T-Ring, Cover (2003-2007)	14	SPX4000E	600646	Seal Plate
5c	O-504	66222	O-Ring, Cover (Pre-2003) CX400G	15	SPX0125Z44	40062	Bolt, Motor
6-7	—Cover & Lid		Strainer Cover Kits:	16	SPX4000F	600645	Mounting Plate, Motor
	SPX4000CLO	40542	Cover Kit (2008-)	17	SPX4000K	600644	Lock Ring, Motor
	SPX4000DLT	40541	Cover Kit (Pre-2007)	18	Motor		C-Face
2,5,8-9		65066	O-Ring Kit	19-20	SPX4000FG	40643	Drain Plug w/O-ring
8	O-239	64938	O-ring, Seal Plate (SPX4000T)	21-22	SPX4000GA	600647	Mounting Base
9	O-83	66535	O-ring, Diffuser (SPX4000Z1)	22	SPX1600Z52	40651	Bolts, Base



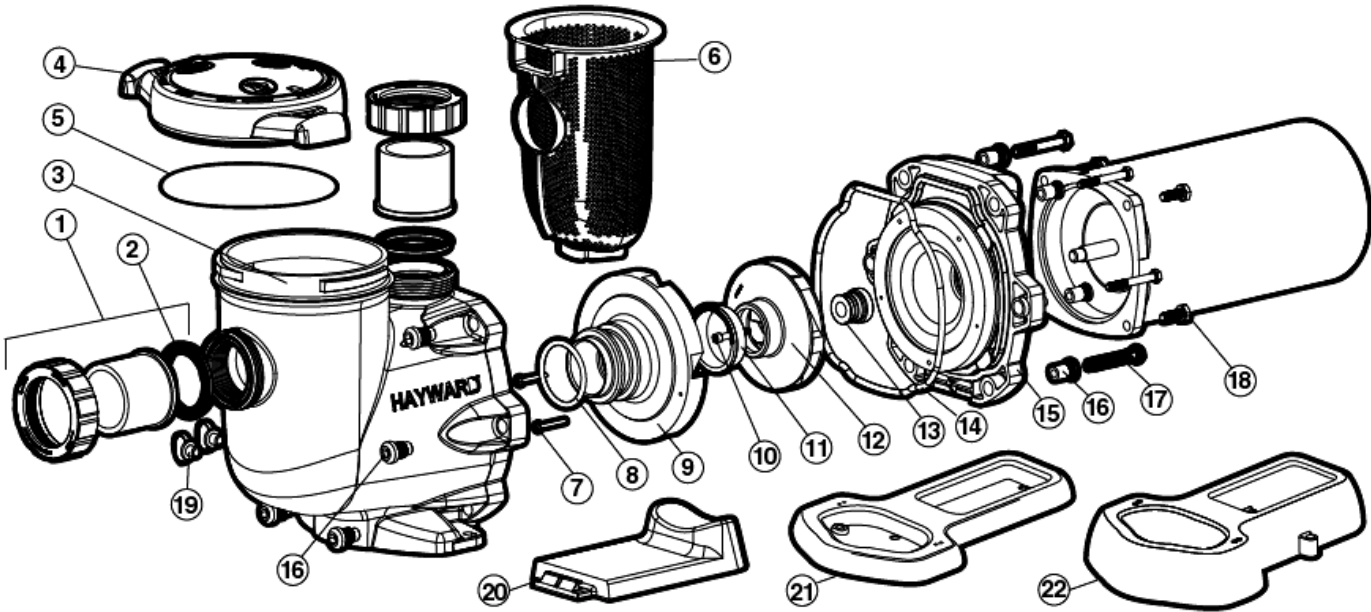
Key	Part#	SKU	Description	Key	Part#	SKU	Description
1	Motor		C-Face Thd. Shaft	Diffusers & Impellers — 2600 Series Pumps			
2a	SPX1600AA	40632	Housing 1-1/2" Ports w/Plugs	17a	SPX2600B	40270	Diffuser, 1/2 to 2HP
2b	SPX1620AA	40641	Housing 2" Ports w/Plugs	17b	SPX1616B	40255	Diffuser, 2-1/2HP only
3	G-95	64333	Gasket, Housing (SPX1600T)	18a	SPX2600C	40423	Impeller, 1/2HP
4	O-141	64385	Gasket, Diffuser (SPX1600R)	18b	SPX2605C	40417	Impeller, 3/4HP
3,4,6	65003	O-Ring Kit		18c	SPX2607C	40416	Impeller, 1HP
---	SPX1600TRA	613033	Seal Assembly Kit	18d	SPX2610C	40419	Impeller, 1-1/2HP
			Includes: Pump Seal, Housing Gasket & Diffuser Gasket	18e	SPX2615C	40420	Impeller, 2HP
5	SPX1600D	40780	Cover, Strainer	18f	SPX1621C	40422	Impeller, 2-1/2HP
6	O-177	64440	Gasket, Cover (SPX1600S)	Drive Train Upgrade Kits: 1600-Series Pumps			
7	B-167	36070	Basket (SPX1600M)	Includes: Impeller, Diffuser, Seal Plate, Motor Plate & Gaskets			
8	SPX1600PN	40528	Hand Knob Kit (Knob & Swivel Nut)	For Replacement SP1600X part numbers (Pre-1983) use these new kits to			
9a	SPX1600V	607904	Drain Plug 1/4" (Pre-1991)	Improve flow, GPM, reduce noise and provide better energy efficiencies.			
9b	SPX1700FG	16504	Drain Plug	Older Style Individual Parts Are No Longer Available.			
10	SPX2600G1	38381	Pump Base w/Motor Adpt.	17-18	SPX2600CKIT	600665	Drive Train Upgrade, 1/2HP
11	SPX1600Z52	40651	Screw, Base	17-18	SPX2605CKIT	600664	Drive Train Upgrade, 3/4HP
12	PS-201V	40678	Seal Assembly (SPX1600Z2)	17-18	SPX2607CKIT	600663	Drive Train Upgrade, 1HP
13	SPX1600F5	40590	Motor Mounting Plate	17-18	SPX2610CKIT	600662	Drive Train Upgrade, 1-1/2HP
14	SPX1600Z4	40067	Bolt, Housing	17-18	SPX2615CKIT	600661	Drive Train Upgrade, 2HP
15	SPX0125Z44	40062	Bolt, Motor				
16a	SPX2600E5	40588	Seal Plate, 1/2 to 2HP				
16b	SPX1611E5	CALL	Seal Plate, 2-1/2HP only				



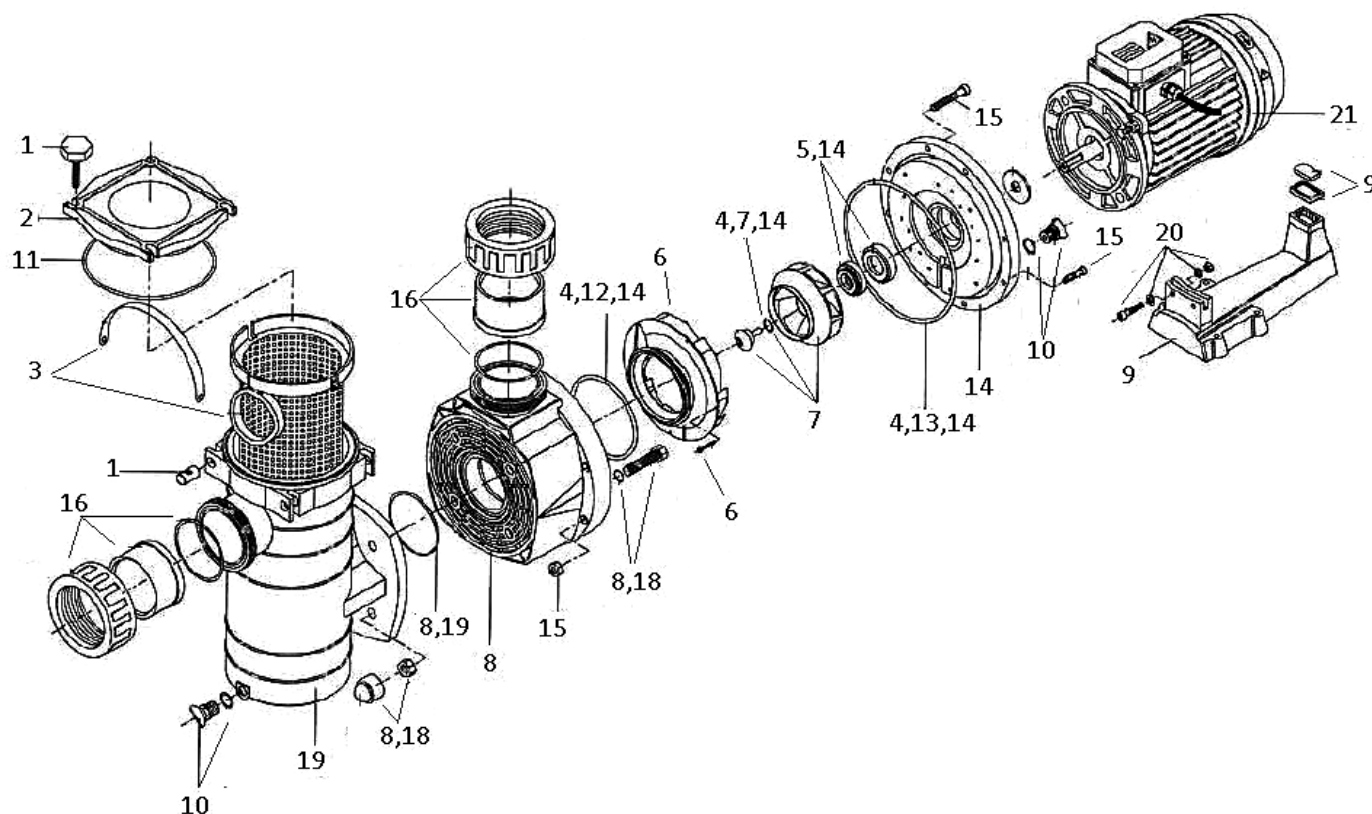
Key	Part#	SKU	Description
1a	SPX3000AA	40636	Pump Housing/Strainer 1-1/2" Ports (Knob Style Lid)
1b	SPX3100AAZ	626401	Pump Housing/Strainer 1-1/2" Ports (Threaded Lid)
1c	SPX3020AA	40637	Pump Housing/Strainer 2" Ports (Knob Style Lid)
1d	SPX3120AAZ	40635	Pump Housing Strainer 2" Ports (Threaded Lid)
2	B-209	36090	Basket (SPX3000M)
3	O-12	66108	O-Ring, Lid (SPX3000S)
3,5,7		65002	O-Ring Kit
4a	SPX3000D	40236	Cover, Knob Style
4b	SPX3100D	40545	Cover, Threaded
4	SP3100T	40955	Pump Lid Wrench
5	G-345	64351	Gasket, Pump Housing (SPX3000T)
6a	SPX2600B	40270	Diffuser 3/4 to 2HP (Pre-1987)
6b	SPX3000BN	40275	Diffuser 3/4 to 1-1/2HP
6c	SPX3000B	40274	Diffuser 2-1/2 to 3HP (Pre-1989)
6d	SPX3021B	40276	Diffuser 2 to 3HP
7	O-141	64385	Gasket, Diffuser (Not Shown) SPX1600R
7a	SPX3005R	40513	Impeller Ring, SP3000-Series
7b	SPX3021R	40514	Impeller Ring, 2 to 3HP (SP3016C, SP3021C & SP3026C)
8a	SPX3005C	40406	Impeller 3/4HP (1/2UR)
8b	SPX3007C	40407	Impeller 1HP (3/4UR)
8c	SPX3010C	40408	Impeller 1-1/2HP (1UR)
8d	SPX3016C	40409	Impeller 2HP (1-1/2UR)
8e	SPX3021C	40410	Impeller 2-1/2HP
8f	SPX3026C	40432	Impeller 3HP
9	PS-201V	40678	Seal Assembly (SPX1600Z2)
10a	SPX3020E	40735	Seal Plate, SP3000-Series
10b	SPX3000E	40731	Seal Plate, SP2600-Series
11	SPX0125Z44	40062	Bolt, Motor
12	G-71	608667	Slinger Gasket (SPX0125F)
13	SPX3000F	40589	Mounting Plate
14a	SPX1600Z4	40067	Bolt, Housing
14b	SPX3000Z26	40901	Washer, Bolt
16	SPX3000GA	40587	Motor Adapter
17	SPX1600Z52	40651	Bolt, Base
18	SPX1700FG	16504	Drain Plug, 1/4"
19	SPX1600PN	40528	Knob & Swivel Nut Kit (Pair)



Knob Style Pump Housings For RS Pumps



Key	Part#	SKU	Description	Key	Part#	SKU	Description
			Motor				Square Flange
1	SPX3200UNKIT	52280	Union Kit	12d	SPX3215C	623896	Impeller 1-1/2HP (2UR)
2	SPX3200UG	623808	Gasket, Union	12e	SPX3220CM	CALL	Impeller (2-1/2UR)
3	SPX3200A	624037	Strainer Housing	12f	SPX3220C	623909	Impeller 2HP (3UR)
4a	SPX3200DLS	623956	Cover Kit w/Lock Ring & O-ring	12g	SPX3230C	623910	Impeller 3HP
4b	SPX3200DLSB	623957	Cover Kit (for Biguanide)	12h	SPX3230C5	623911	Impeller 5HP
5	SPX3200S	66112	O-ring, Cover	13	SPX3200SA	40709	Pump Seal
6	SPX3200M	36091	Basket	14	SPX3200T	66113	O-ring, Housing
7	SPX3200Z8	623807	Screw, Diffuser	15	SPX3200E	623912	Seal Plate
8	SPX4000Z1	66535	O-ring, Diffuser	16	SPX3200Z211	623853	Insert Spacer, Bolt
9	SPX3200B3	623889	Diffuser	17	SPX3200Z3	623761	Bolt, Housing
10	SPX3200Z1	623780	Screw, Impeller	18	SPX3200Z5	623792	Bolt, Motor
11	SPX3021R	40514	Impeller Ring	19	SPX4000FG	40643	Drain Plug w/O-ring
12a	SPX3205C	623878	Impeller 1/2HP (3/4UR)	20	SPX3200GA	623887	Support Bracket, Motor
12b	SPX3207CM	623879	Impeller 3/4HP (1UR)	21	SPX3200WF	623890	Short Riser, Base
12c	SPX3210C	623877	Impeller 1HP (1-1/2UR)	22	SPX3200SR	623891	Tall Riser, Base



Key	Part#	Sku	Description	Key	Part#	Sku	Description
1	HCXP6000A	617600	Bolt Kit, Lid	10	HCXP6013A	617615	Drain Plug w/O-ring
2	HCXP6001A	617601	Cover Kit (Incl. O-ring)	11	HCXP6014A	617616	O-ring, Cover
3	HCXP6002A	617602	Basket w/Handle	12	HCXP6015A	617617	Gasket, Diffuser
4	HCXP6003A	617603	O-ring Kit: Seal Plate O-ring, Diffuser O-ring & Impeller O-ring	13	HCXP6016A	617618	O-Ring, Housing
5	HCXP6004A	617605	Pump Seal Kit: Pump Seal & O-ring Kit (#4 Above)	14	HCXP6017A	617619	Seal Plate Kit: Seal Plate, Seal Plate O-ring, Pump Seal, Diffuser O-ring & Impeller O-ring
6a	HCXP6005A	617607	Diffuser w/Screws, 501 & 751	15	HCXP6018A	617620	Bolt Set, Seal Plate
6b	HCXP6006A	617608	Diffuser w/Screws, 1001 & 1251	16	HCXP6019A	617621	Union Set (2-pk)
7	Impeller Kits: Impeller, Stopper & Impeller O-ring			17	HCXP6020A	617622	Bolt, Motor
7a	HCXP6007A	617609	Impeller f/HCP55	18	HCXP2021A	CALL	Screw Kit, Housing
7b	HCXP6008A	617610	Impeller f/HCP75	19	HCXP2022A	CALL	Strainer w/O-ring
7c	HCXP6009A	617611	Impeller f/HCP100	20	HCXP2023A	CALL	Bolt Set, Base
7d	HCXP6010A	617612	Impeller f/HCP125	21	Motor	CALL	Bolt, Nut & Washer
8	HCXP6011A	617613	Pump Housing Kit: Housing, Strainer O-ring & Bolt O-ring				
9	HCXP6012A	617614	Pump Base w/Spacers				

Pool & Spa Motor Replacement Parts
Pump Seals



PS-100
40660 Ceramic
40676 Viton



PS-200
40663 Ceramic
40677 Viton



PS-201
40666 Ceramic
40678 Viton



PS-1000
40675 Ceramic
40679 Viton



PS-601
40670 Ceramic



PS-2131
40710 Ceramic

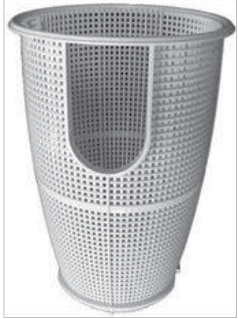
Manufacture Pump Model	Mfg. Part#	Pump Seal	SKU Carbon	SKU Viton	Manufacture Pump Model	Mfg. Part#	Pump Seal	SKU Carbon	SKU Viton
American Products (Pentair)					Arneson Booster Pump				
Americana®	395005	PS-201	40666	40678	A-8	PS-200		40663	40677
Americana II®	397012	PS-1000	40675	40679	Doughboy/Lomart (Hoffinger)				
Bronze-Bronze	397012	PS-1000	40675	40679	Doughboy	306-1002	PS-1000	40675	40679
Bronze-Noryl®	395005	PS-201	40666	40678	Doughboy	306-1006	PS-200	40663	40677
Eagle®	397012	PS-1000	40675	40679	Lomart	40-027	PS-163	601116	
Eagle®	397020	PS-1000	40675	40679	Lomart	40-029	PS-163	601116	
Maxim™	397012	PS-1000	40675	40679	Hayward				
Power-Glass®	397012	PS-1000	40675	40679	Booster Pump 5060	SPX1250XZ2C	PS-200	40663	40677
Ultra-Flo®	397020	PS-1000	40675	40679	Booster Pump 6060	SPX2700SA	PS-3867	40714	40677
A-Series	92500050	PS-1000	40675	40679	Eco-Star	SPX3200SA	—	40709	
A & B Series	92509040	PS-1000	40675	40679	Max-Flo®	SPX1600Z2	PS-201	40666	40678
AC-Series	92500000	PS-309	601293		Max-Flo II®	SPX2700SA	PS-3867	40714	40677
C-Series	92500050	PS-1000	40675	40679	NorthStar™	SPX3200SA	—	40709	
D-Series	92500040	PS-1000	40675	40679	Power-Flo II™	SPX1500KA	PS-2131	40710	
D-Series	92500050	PS-1000	40675	40679	Power-Flo LX™	SPX1500KA	PS-2131	40710	
Circ-Master®	92500151	PS-200	40663	40677	Power-Flo Matrix	SPX1500KA	PS-2131	40710	
Dominator®	92500150	PS-200	40663	40677	Super Pump®	SPX1600Z2	PS-201	40666	40678
Dominator® Pre-1995	92500050	PS-1000	40675	40679	Super Pump II & RS	SPX1600Z2	PS-201	40666	40678
Flo-Master®	91049000	PS-2131	40710		Tri Star®/Energy-Flo	SPX3200SA	—	40709	
Flo-Master®	92500150	PS-200	40663	40677	Turbo-Flo®	SPX1500KA	PS-2131	40710	
Pond-Flo	92500151	PS-200	40663	40677	ITT Marlow				
Tub-Master®	91049000	PS-2131	40710		2AF-Series	25353-00	PS-411	601267	
Tub-Master®	92500150	PS-200	40663	40677	3B-Series	27223-00	PS-416A	632642	
Arneson Booster Pump					Argonaut®	38592-00	PS-201	40666	40678
A-8	PS-200	40663	40677		L-Series	186862	PS-978	601266	
					L-Series	186543	PS-514	600254	
					Mardur®	38592-00	PS-201	40666	40678
					SCT Series SS	46328-00	PS-2161	600716	

Pool & Spa Motor Replacement Parts
Pump Seals

Manufacture Pump Model	Mfg. Part#	Pump Seal	SKU Carbon	SKU Viton	Manufacture Pump Model	Mfg. Part#	Pump Seal	SKU Carbon	SKU Viton
Jacuzzi					Sta-Rite (Pentair)				
Cygnnet	10-0002-06	PS-200	40663	40677	AJ	U109-93SS	PS-100	40660	40676
A, J, JCM Series	10-0002-06	PS-200	40663	40677	CC/C	U109-433SS	PS-185	600255	
K, KM Series	10-0002-06	PS-200	40663	40677	CC/C Pre-2000	U109-220	PS-185	600255	
LCM-Series	10-1436-00	PS-200	40663	40677	CF/CFA	U109-136SS	PS-1000	40675	40679
LCU-Series	10-1436-00	PS-200	40663	40677	CSPH/CCSPH	32014	PS-185	600255	
LR-Series	10-0002-06	PS-200	40663	40677	CSPH/CCSPH	32015	PS-446	622757	
Magnum®	10-1502-09	PS-201	40666	40678	D Series	U109-433SS	PS-185	600255	
RC-Series	10-1502-09	PS-201	40666	40678	D Series Pre-2000	U109-220	PS-185	600255	
Vector (LVL)	10-0002-06	PS-200	40663	40677	DJ/JS/JT	37400-0027S	PS-201	40666	40678
Jandy (Zodiac)					DJ/JS/JT Pre-2001				
FHP, JEP	R0479400	PS-3890	40705		Dura-Glas® Pre-1998	U109-93SS	PS-100	40660	40676
MHP, PHP	R0479400	PS-3890	40705		Dura-Glas®	17304-0100	PS-200	40663	40677
SHP, SWF, WFTR	R0479400	PS-3890	40705		Dura-Glas II Pre-1998	U109-372SS	PS-201	40666	40678
HHP, HHPU	R0338200	PS-601	40670		Dura-Glas II	U109-358SS	PS-201	40666	40678
MHPM	R0445500	—	617088		Dura-Glas II	37400-0027S	PS-851	632648	40678
Muskin					Dura-Glas II				
	092001	PS-163	601116		Dura-Jet Pre-2001	U109-358SS	PS-201	40666	40678
	092013	PS-142	89066		Dura-Jet	37400-0027	PS-201	40666	40678
Pentair/Pac-Fab/Purex (Pentair)					Dyna-Glas®/Dyna-Max				
AH-Series	071728	PS-201	40666	40678	Dyna-Glas®/Dyna-Max	37400-0027S	PS-201	40666	40678
Aquatron	071733	PS-501	40668		Dyna-Jet™	17351-0101S	PS-201	40666	40678
Challenger	354545	PS-200	40663	40677	HP-Series	U109-136SS	PS-1000	40675	40679
C-Series	071725	PS-360	601167		JW/JWPA	U109-358SS	PS-201	40666	40678
Dynamo/Dynamite	354545	PS-200	40663	40677	JW/JWPA	37400-0027S	PS-201	40666	40678
Dynatron	354545	PS-200	40663	40677	LT	U109-68SS	PS-163	601116	
Hydropump	354001	PS-201	40666	40678	Max-E-Glas Pre-1998	U109-93SS	PS-100	40660	40676
IntelliFlo	071734	PS-1000	40675	40679	Max-E-Glas	17304-0100	PS-200	40663	40677
L-Series	17351-0102	PS-100	40660	40676	Max-E-Glas II	U109-358SS	PS-201	40666	40678
L-Series	071728	PS-201	40666	40678	Max-E-Glas II	U109-372SS	PS-201	40666	40678
Pinnacle	354545	PS-200	40663	40677	Max-E-Glas II	37400-0027S	PS-201	40666	40678
Whisperflo	071734	PS-1000	40675	40679	Max-E-Glas II	37400-0028S	PS-201V	—	40678
Premier					Max-E-Pro™				
120T/220/225	31-812	PS-201	40666	40678	PLBC Series	17351-0102S	PS-100	40660	40676
Pre 1988	31-813	PS-1000	40675	40679	PLBC Series Pre-1995	U109-93SS	PS-100	40660	40676
225/255 MKII	31-812	PS-201	40666	40678	SuperMax	354545S	PS-200	40663	40677
300/325/355	31-812	PS-201	40666	40678	Swimquip XL, VI/XL, VII	37407-0009	PS-201	40666	40678
455/456	31-813	PS-1000	40675	40679	Water Ace RSP-7,10,15	25053A000	PS-3845	Call	
500/600	31-813	PS-1000	40675	40679	Waterway				
725/756	31-812	PS-201	40666	40678		319-3100B	PS-1000	40675	40679
Polaris (Zodiac)					811-4000A				
PB4-60	P55	PS-1000	40675	40679			PS-671	632794	
PB4-60Q	P84-3	PS-3890	40705						
Speck Pumps									
	2920060603	PS-200	40663	40677					
	60603-200	PS-200	40663	40677					

**Common Replacement Pump Parts
Baskets & Lids**

PUMP BASKETS AND LIDS



**Hayward
NorthStar**

- 40542 Lid w/Lock Ring (New)
- 40541 Lid Kit (Pre-2007)
- 36095 Basket
- 65066 O-Ring Kit
- 40709 Pump Seal



**Hayward
Super Pump**

- 40780 Lid (w/o Knobs)
- 40528 Lid Knobs (2-pk)
- 36070 Basket
- 65003 O-Ring Kit
- 64440 O-Ring, Lid
- 40678 Pump Seal 201



**Hayward
RS/Super II Pump**

- 40545 Lid (Threaded)
- 40236 Lid (w/o Knobs)
- 40528 Lid Knobs (2-pk)
- 36090 Basket
- 65002 O-Ring Kit
- 66108 O-Ring, Lid
- 40678 Pump Seal 201



**Hayward
EcoStar/EnergyFlo/TriStar**

- 623956 Lid w/Lock Ring
- 36091 Basket
- 66112 O-Ring, Lid
- 40709 Pump Seal



**Pentair (Pac-Fab)
Challenger**

- 40559 Lid
- 36343 Basket
- 65005 O-Ring Kit
- 66110 O-Ring, Lid (Pentair)
- 66520 O-Ring, Lid (Pre-1998)
- 40677 Pump Seal 200



**Pentair (Purex)
WhisperFlo/IntelliFlo**

- 601142 Lid (w/o Clamp)
- 600536 Lid (w/o Twist Lock)
- 36380 Basket
- 65032 O-Ring Kit
- 66380 O-Ring, Lid (Pre-1998)
- 66110 O-Ring, Lid (New Style)
- 40679 Pump Seal 1000



**Pentair/Sta-Rite
Dura-Glas/Max-E-Glas**

- 40572 Lid
- 36440 Basket
- 65006 O-Ring Kit
- 66634 O-Ring, Lid
- 40677 Pump Seal 200



**Pentair/Sta-Rite
Dura-Glas/Max-E-Glas II
Max-E-Pro/IntelliPro**

- 40573 Lid
- 36437 Basket
- 65038 O-Ring Kit
- 66108 O-Ring, Lid
- 40678 Pump Seal 201



**Hayward
Max-Flo**

- 40783 Lid (w/o Knobs)
- 40528 Knobs (2-pk)
- 36081 Basket
- 64450 O-Ring, Lid
- 40678 Pump Seal 201

**Hayward
Max-Flo II**

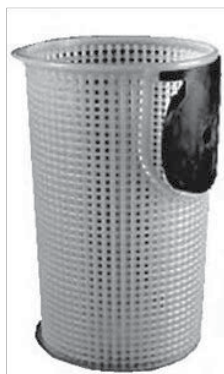
- 40121 Lid w/Lock Ring
- 36082 Basket
- 66246 O-Ring, Lid
- 40714 Pump Seal

**Hayward
PowerFlo Matrix**

- 40110 Lid w/Lock Ring
- 40107 Basket
- 65074 O-Ring Kit
- 40118 O-Ring, Lid
- 40710 Pump Seal

**Hayward
PowerFlo**

- 40546 Lid
- 36080 Basket (1500)
- 36081 Basket (LX & II)
- 65012 O-Ring Kit
- 66270 O-Ring, Lid
- 40710 Pump Seal



**American Products
Ultra-Flo**

- 600986 Lid (w/o Twist Lock)
- 40563 Lid (w/o SS Clamp)
- 36047 Basket
- 608527 O-Ring (Cam Lock Lid)
- 66024 O-Ring (Clamp Lid)
- 40679 Pump Seal 1000
- 65020 O-Ring Kit

**Jacuzzi
Magnum**

- 600895 Lid (w/o Lock Ring)
- 605715 Basket
- 603230 Lock Ring
- 66524 O-Ring, Lid
- 40678 Pump Seal 201

**Zodiac
Jandy Stealth**

- 617089 Lid Kit w/Lock Ring
- 617000 Basket
- 617095 O-Ring, Lid
- 40705 Pump Seal

Lid Wrench

- 40950 Fits Most IG Pumps
- 40955 Hayward Lid Wrench

**Skimmer Parts & Inlet Fittings
Common Replacement Parts**



34830 Vac Plate
American Prod. Skimmer



34840 Vac Plate
Sta-Rite U3 Skimmer



34810 Vac Plate
Swimline Olympic AG Skimmer



34095 Control Plate
Baker Hydro Skimmer



34833 Vac Plate
Hayward Skimmer



34820 Vac Plate
Hayward Skimmer



34835 Vac Plate
Hayward Skimmer



34800 Vac Plate
Hayward AG Skimmer



34240 Regulator Valve
Sta-Rite or Hayward Skimmers



34120 Vac Equalizer Assy.
American Prod. Skimmer



34850 Diverter Valve
American Prod. Skimmer



34235 Floating Weir
American Prod. Skimmer



Generic Weir Gates
34918 7-1/4" Fits: Pac-Fab
34921 8" Fits: American Prod.
34924 8-3/8" Fits: Sta-Rite
34912 9-3/8" Fits: Baker Hydro



Inlet Fitting 1-1/2" Thd
30220 Inlet 3/4" Opening
30225 Inlet 1" Opening
30218 Inlet 1/2" Opening
30219 Inlet Slotted Opening



Universal Inlet Fittings
68077 Threaded 1-1/2" MIP
68079 Slip 1-1/2"



30750 Inlet Removal Tool



44208 Plug w/O-ring
1-1/2" Threaded Plug



58940 Vac Lock, White
Hayward W400AWHP



30010 Aerator 3/4" Thd.



34234 Float Valve, Brass
Auto Fill Valve

Skimmer Parts
Baskets & Deck Lids



**WaterCo
Baker Hydro**

36565 Basket B136
Top 7-13/16" x 6" Tall x 5" Base
34420 Lid 9" Round
34912 Weir 9-3/8"
34095 Control Plate



**Hayward
SP1070**

36840 Basket B9
Top 8-5/16" x 5-3/16" Tall x 5-3/4" Base
34447 Lid 10" Round
34948 Weir
34840 Vac Plate
34240 Equalizer Valve



**Hayward
SP1082**

36680 Basket B152
Top 7" x 5" Tall x 6-1/2" Base
34440 Lid 10" Square
34950 Weir
34833 Vac Plate



**Hayward
SP1084**

36680 Basket B152
Top 7" x 5" Tall x 6-1/2" Base
34435 Lid 8-3/4" Round
34950 Weir
34833 Vac Plate



**Pentair
American Admiral**

36530 Basket B37
Top 8-7/16" x 7-3/4" Tall x 7-1/2" Base
34235 Floating Weir B38
34410 Lid 9" Round
34416 Lid 9" w/Locking Tabs
34830 Vac Plate
34850 Vari-Flo Valve



**Pentair
American S10 Admiral**

36492 Basket B200
Top 8-1/2" x 6" Tall x 5-1/4" Base
34410 Lid 9" Round
34416 Lid 9" w/Locking Tabs
34909 Weir
34830 Vac Plate
34120 Equalizer Valve



**Pentair
Pac-Fab Bermuda**

36840 Basket B9
Top 8-5/16" x 5-3/16" Tall x 5-3/4" Base
605252 Lid 9-1/4" Round
34967 Weir
605697 Vac Plate



**Pentair
Sta-Rite U3**

36840 Basket B9
Top 8-5/16" x 5-3/16" Tall x 5-3/4" Base
34450 Lid 10" Round
34965 Weir
34830 Vac Plate
34240 Equalizer Valve

Skimmer Parts
Baskets & Deck Lids



SkimPro
Replacement Baskets

36852 Fits: Baker Hydro
36850 Fits: Sta-Rite/Hayward
36851 Fits: Hayward 1082



Pentair
American FAS

36500 Basket B172
Top 6-5/8" x 3-7/8" Tall x 4" Base
34350 Lid 7-1/4" Round
34910 Weir
34831 Vac Plate



Pentair
Pac-Fab Skim-Clean

36795 Basket B43
Top 7-1/4" x 4-5/8" Tall x 5-5-16" Base
34460 Lid 8-3/8" Round
34918 Weir 7-1/4"



Waterway
Renegade

621588 Basket (5.25" Tall)
Top 8.1" x 5-1/4" Tall x 5-3/4" Base
621698 Venturi Basket (9" Tall)
621680 Lid (White)
614229 Weir (White)



Above-Ground Pool Skimmer Parts:



Hayward
SP1091

36660 Basket
Top 5-13/16" x 3-3/8" x 4-11/16" Base
34200 Lid 7-9/16" Round
34201 Weir
34800 Vac Plate



Hayward
SP1096

36655 Basket B168
Top 5-9/16" x 3" Tall x 5-1/8" Base
34430 Lid 6-5/8" Round
34952 Weir
34832 Vac Plate 1-1/2" Hose
34835 Vac Plate w/Elbow



ILP Swimline
Olympic

36790 Basket B213
Top 6-1/8" x 3" Tall x 4-1/8" Base
34100 Lid 7-3/4" Round
34960 Weir
34810 Vac Plate



Leslie's/Atlantic
Pentair Hydro Skim

36792 Basket B217
Top 6-1/8" x 3" Tall x 3-5/8" Base
34405 Lid 7-11/16" Round
34962 Weir
34820 Vac Plate



**AquaStar Round Main Drains
Drain Covers & Suction Outlet Covers**

AquaStar 8" And 10" Round Drain Covers

VGB Compliant: ANSI/APSP 16-2011 & NSF/ANSI 50-2009a. Other Colors Available By Special Order (Black, Grey, Dark Grey & Tan)



32411 A8R101 (White)
8" Round Star Cover With Frame
 Flow Rate: with 3" Sump
 Dual 1.5 FPS @75 GPM
 Single 16 sq. in. openings
 Floor 2.8 FPS @145 GPM
 Wall 1.7 FPS @84 GPM



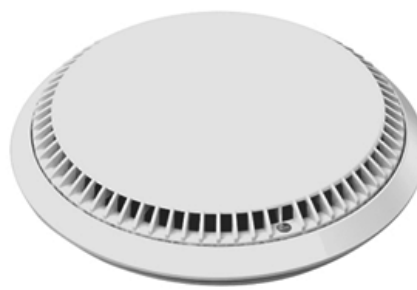
32001 LP8AVWR101 (White)
8" Round Low Profile Cover With Frame
 Flow Rate:
 Dual 1.5 FPS @61 GPM
 Single 13.1 sq. in. openings
 Floor 2.0 FPS @100 GPM
 Wall 1.7 FPS @70 GPM



32003 8FUW101 (White)
8" Round Anti-Entrapment Cover/Frame
 Flow Rate:
 Dual 1.5 FPS @71 GPM
 Single 15.1 sq. in. openings
 Floor 2.2 FPS @110 GPM
 Wall 2.1 FPS @106 GPM



32005 A10RCFR101 (White)
10" Sump-less Cover With Adapt. Frame
 Flow Rate:
 Dual 1.5 FPS @147 GPM
 Single 31.5 sq. in. openings
 Floor 1.7 FPS @170 GPM
 Wall 1.7 FPS @170 GPM



32510 10AVR101 (White)
10" Anti-Entrapment Cover With Frame
 Flow Rate:
 Dual 1.5 FPS @53 GPM
 Single 11.2 sq. in. openings
 Floor 4.8 FPS @166 GPM
 Wall 2.8 FPS @96 GPM



32009 10LT101 (white)
10" Debris Catcher Cover With Frame
 Flow Rate: With Cover
 Single 29.4 sq. in. openings
 Floor Only 0.7 FPS @60 GPM



8HP101 (White)
8" Round "Hockey Puck" Outlet Cover
 Call for availability and colors
 Flow Rate: Sump-less
 Dual 6.3 FPS @224 GPM



8MF101 (White)
8" Round MoFlo Cover With Frame
 Call for availability and colors
 Flow Rate: 3" Sump Depth 2" Pipe
 Single 16.6 sq. in. openings
 Dual 1.5 FPS @78 GPM

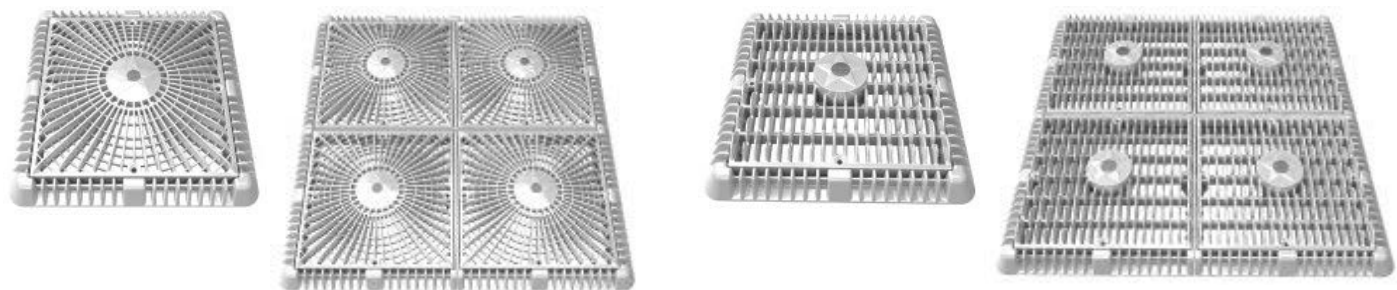


10MF101 (White)
10" Round MoFlo Cover With Frame
 Call for availability and colors
 Flow Rate: 3" Sump Depth 2" Pipe
 Single 31.3 sq. in. openings
 Dual 1.5 FPS @146.3 GPM

**AquaStar Square Main Drains
Drain Covers & Suction Outlet Covers**

AquaStar Square Drain Covers

VGB Compliant: ANSI/APSP 16-2011 & NSF/ANSI 50-2009a. Other Colors Available By Special Order (Black, Grey, Dark Grey & Tan)



Square Star Anti-Entrapment Covers

Cover with Vented Mud Frame (White)

VGB Compliant: ANSI/SPSP 16-2011 & NSF/ANSI 50-2009a

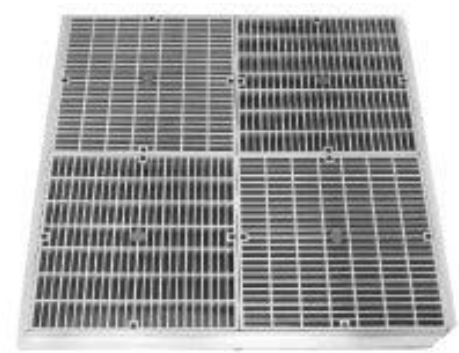
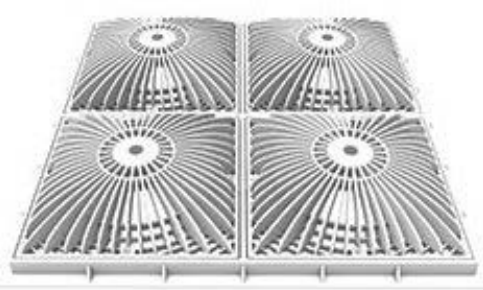
9"	32021	P9101
12"	32022	P12101
18" (4x9")	32023	P18101
24" (4x12")	32024	P24101
Flow Rate:		
9" Single	2.1 FPS	@270 GPM
12" Single	1.5 FPS	@360 GPM
18" Single	1.5 FPS	@740 GPM
24" Single	1.5 PFS	@1428 GPM

WAVE Anti-Entrapment Square Covers

Cover with Vented Mud Frame (White)

VGB Compliant: ANSI/SPSP 16-2011 & NSF/ANSI 50-2009a

9"	32011	WAV9WR101
12"	32012	WAV12WR101
18" (4x9")	32013	WAV18WR101
24" (4x12")	32014	WAV24101
Flow Rate:		
18" Single	1.1 FPS	@628 GPM
24" Single	1.3 FPS	@1444 GPM
9" Single	1.5 FPS	@224 GPM
12" Single	1.3 FPS	@361 GPM



MoFlo Anti-Entrapment Square Covers

Cover with Frame (White) for Dual Outlets

9"	CALL	9MF101
12"	CALL	12MF101
18" (4x9")	CALL	18MF101

VGB Compliant: ANSI/SPSP 16-2011 & NSF/ANSI 50-2009a

Flow Rate:

9" Dual	1.5 FPS	@172 GPM
12" Dual	1.5 FPS	@333 GPM
18" Dual	1.5 FPS	@688 GPM

24" Square Grate

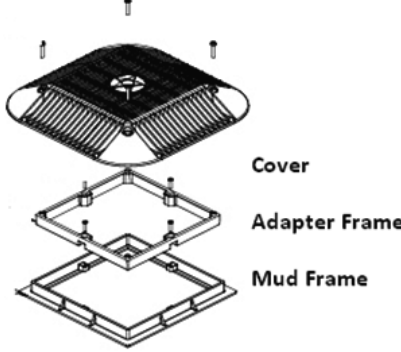
Four 12" Covers with Frame (White)

24" (4x12")	32956	24101
-------------	-------	-------

VGB Compliant: ANSI/SPSP 16-2011 & NSF/ANSI 50-2009a

Flow Rate:

24" Single	1.4 FPS	@1531 GPM
------------	---------	-----------



14" & 16" Square Retrofit Anti-Entrapment Covers

14" Covers Replace Most Square Covers From 9" to 13" (White)

16" Covers Replace Most Square Covers From 12" to 15" (White)

VGB Compliant: ANSI/SPSP 16-2011 & NSF/ANSI 50-2009a

14"	32710	914101
16"	32780	1216101

Flow Rate: *Adapter frame maybe required for some installations*

14" Single	2.1 FPS	@560 GPM
14" Dual	1.5 FPS	@394 GPM
16" Single	1.5 FPS	@460 GPM
16" Dual	1.5 FPS	@474 GPM



Hayward & Paramount Main Drains Drain Covers & Suction Outlet Covers

Paramount SDX Drain Covers

Fits Most Single or Dual Outlet Drains
From 5"-10" Round.

Flow Rates:

Dual 1.5 FPS @200 GPM

Floor 1.5 FPS @200 GMP

VGB Compliant: ASME A112.19.8-2007

Item# 004-192-2214-xx

Hayward Square Drain Covers

VGB Information & Flow Rates

VGB Compliant 2009

ASME A112 19.8b-2009 ANSI/APSP-16

1) Low Flow Velocity WG-LV2

SKU-32300-32305

Flow Rates: Dual 1.5 FPS @ GPM

Size Floor Wall

9x9 190 108

12x12 392 260

18x18 520 520

2) High Flow Velocity WG-HF2 Dual

SKU-32306-32311

Flow Rates: Dual 1.5 FPS @ GPM

Size Floor Wall

9x9 264 224

12x12 515 308

18x18 812 732

2) Hayward High Flow Anti-Entrapment Covers

Size Part# SKU

Replacement Covers with Inner Frame

9"x9" WGX1031BHF2 32306

12"x12" WGX1032BHF2 32307

18"x18" WGX1033BHF2 32308

2-Pack Covers and Outer Frames

9"x9" WG1031HF2PAK2 32309

12"x12" WG1032HF2PAK2 32310

18"x18" WG1033HF2PAK2 32311

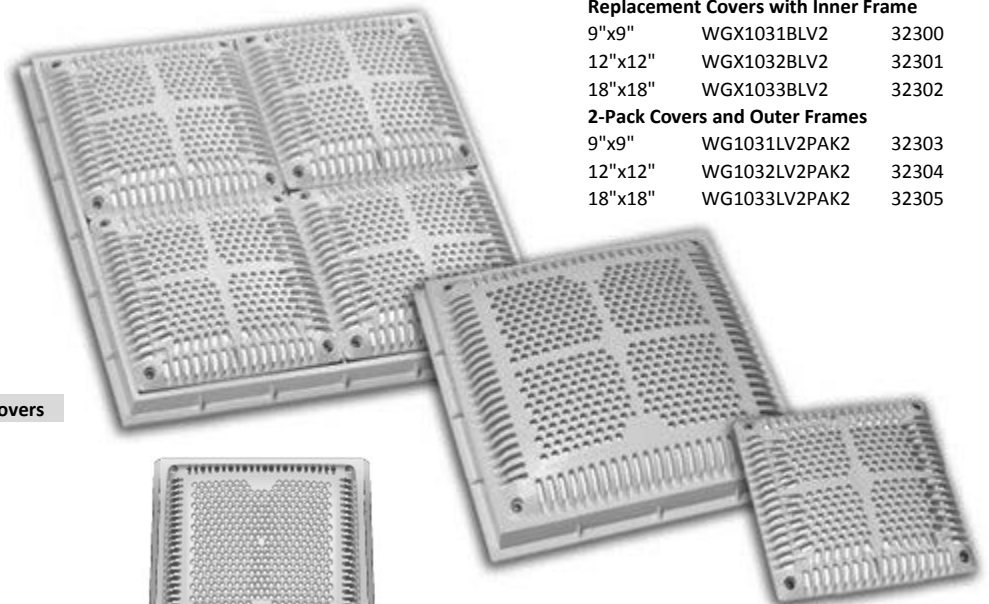
"Universal" Round Cover Fits up to 10" Floor Drains or Wall Outlets

Concrete Pools		Vinyl Pools		Equalizer Line	
Color	SKU	Color	SKU	Color	SKU
White	32870	White	32878	White	32886
Grey	32871	Grey	32879	Grey	32887
Black	32872	Black	32880	Black	32888
Taupe	32873	Taupe	32881	Taupe	32889
Blue	32874	Blue	32882	Blue	32890
Lt Blue	32875	Lt Blue	32883	Lt Blue	32891
Beige	32876	Beige	32884	Beige	32892
Lt Grey	32877	Lt Grey	32885	Lt Grey	32893



32-870

1- Low Flow



1) Hayward Square Anti-Entrapment Covers

Size Part# SKU

Replacement Covers with Inner Frame

9"x9" WGX1031BLV2 32300

12"x12" WGX1032BLV2 32301

18"x18" WGX1033BLV2 32302

2-Pack Covers and Outer Frames

9"x9" WG1031LV2PAK2 32303

12"x12" WG1032LV2PAK2 32304

18"x18" WG1033LV2PAK2 32305

2- High Flow



Hayward 8" Anti-Entrapment Covers

Item# SKU
Floor WGX1048E 32860
Wall WGX1048EW 32862



32842 DS 360X

Drain Safe Anti-Entrapment Cover
Fits Most 9"x 9" Sumps
Includes Cover and Adapter

VGB Information & Flow Rate:

VGB Compliant ANSI/ASME A112.19.8-2007
Flow Rate: Single 1.9 FPS @ 160 GPM
27.1 sq. inch openings



32841 DS 360M

Drain Safe Anti-Entrapment Cover
Fits Most 5" to 8" Round Sumps

VGB Information & Flow Rate:

VGB Compliant ANSI/ASME A112.19.8-2007
Flow Rate: Single 1.5 FPS @ 123 GPM
27.1 sq. inch openings

VGB Information & Flow Rates:

VGB Compliant ASME A112 19.8B-2009
ANSI/APSP-16

Flow Rates: Dual

Floor 1.5 FPS @ 125 GPM

Wall 1.5 FPS @ 72 GPM

Hayward Skimmers
SP1070 & SP1080 Series

Hayward Skimmers SP1071 & 1071 Skim-Master Series

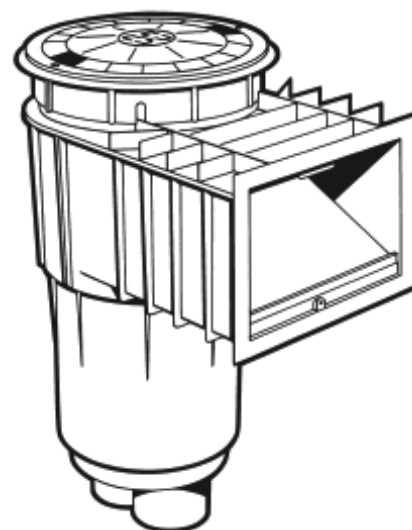
Key	Part#	Sku	Description
	SPX1070Z3	609142	Retaining Screw, Cover
	SPX1070C	34447	Cover, White
	SPX1070C10	605751	Cover, Tan
	SPX1070B	605305	Adjusting Collar, White
	SPX1070B10	605750	Adjusting Collar, Tan
	ECX1019	44621	Adjusting Collar Screw
	SPX1070KHR	34948	Weir Assembly w/Bumper Pad (for 1070 Series)
	SPX1071K	626396	Weir Assembly w/Bumper Pad (for 1071 Series)
	SPX1070E	36840	Basket – 8 1/4" O.D. x 5 1/4"
	SPX1082H1B	605748	Flo-Control Slide Plate w/Screw
	SP1070FV	34239	Float Valve Assembly
	SPX1070FA	605747	Flo-Control Trimmer Plate w/Screw

Hayward Skimmers SP1075, 1076 & 1077 Series

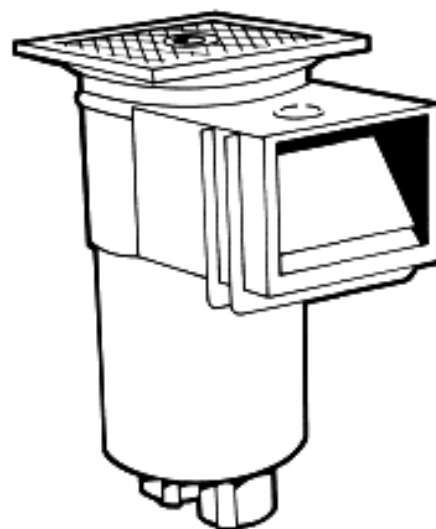
Key	Part#	Sku	Description
	SPX1075C1	34448	Cover, White
	SPX1084Z9	609100	Screw, Cover
	SPX1075B	605746	Adjusting Collar
	SPX1082K	34950	Weir
	SPX1082CA	36680	Basket – 6 1/2" O.D. x 5"
	SPX1075D	34437	Support Ring, Basket
	SPX1075F	605745	Flo-Control Slide Plate w/Screw
	SPX1075L	605744	Multi-Flo Valve Control (SP1075T)
	SPX1084L	34210	Face Plate (SP1076)
	SPX1085B	34212	Face Plate (SP1077)
	SPX1084B	64420	Gasket (SP1076)
	SPX1085D	608674	Gasket (SP1077)
	SPX1084Z4A	34712	Screw Set (Self-Tapping) (SP1076), Face Plate
	SPX1084Z4AM	608926	Screw Set – 1 1/4" long (Self-Tapping), Face Plate
	SPX1085Z1A	609099	Screw Set (Self-Tapping) (SP1077), Face Plate
	SPX1085Z1AM	609098	Screw Set – 1 1/4" long (Self-Tapping), Face Plate

Hayward Skimmers SP1082, 1083, 1084, 1085 & 1086 Series

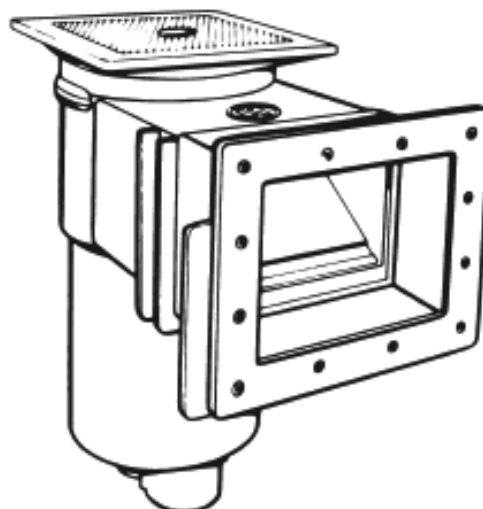
Key	Part#	Sku	Description
	SPX1082E	34440	Cover, Square
	SPX1082Z1	609101	Cover Screw (Square Cover)
	SPX1082F	34090	Adjusting Collar
	SPX1084R	34435	Cover, Round
	SPX1084Z9	609100	Screw, (Round Cover)
	SPX1084P	605753	Adjusting Collar
	SPX1082CA	36680	Basket 6 1/2" O.D. x 5"
	SPX1082D	34437	Support Ring, Basket
	SPX1082K	34950	Weir
	SPX1082H1A	34777	Slide Plate with Screw
	SPX1082Z3	608120	Hose Adapter
	SPX1053Z1	603402	2" Pipe Plug
	SPX1082Z2	68040	2" x 1 1/2" Reducing Bushing
	SPX1084L	34210	Face Plate (SP1084)
	SPX1085B	34212	Face Plate (SP1085)
	SPX1084B	64420	Gasket (SP1084)
	SPX1085D	608674	Gasket (SP1085)
	SPX1084C	605712	Spacer (SP1084)
	SPX1084Z1A	609145	Screw Set (SP1084), Face Plate
	SPX1084Z4A	34712	Screw Set (Self-Tapping) (SP1084), Face Plate
	SPX1084Z4AM	608926	Screw Set – 1 1/4" long (Self-Tapping), Face Plate
	SPX1085Z1A	609099	Screw Set (Self-Tapping) (SP1085), Face Plate
	SPX1085Z1AM	609098	Screw Set – 1 1/4" long (Self-Tapping), Face Plate
	SPX1084B3	CALL	Gasket – SP1084OM
	SPX1085D2	CALL	Gasket – SP1085OM
	SPX1080EA	605756	Basket with Sleeve
	SPX1080AA	605711	Flo-Selector Control with Valve
	SPX1080D	605710	Skimmer Throttling Plate



SP1071



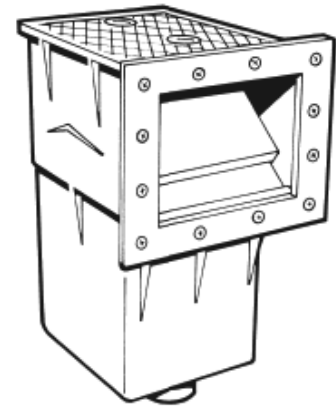
SP1082



SP1084

Hayward Skimmers SP1089

Key Part#	SKU	Description
SPX1088B	34445	Cover
SPX1088GA	605755	Basket Assembly
SPX1089K	34952	Weir
SPX1084L	34210	Face Plate
SPX1084B	64420	Gasket
SPX1084Z4A	34712	Screw Set, Face Plate



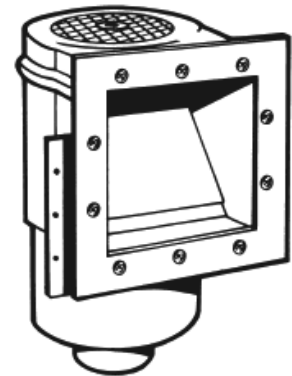
SP1089

Hayward AG Skimmers SP1090-1090WM & 1092

Key Part#	SKU	Description
SPX1096CA	36655	Basket, 5 1/8" O.D. x 3"
SPX1096B	34430	Cover
SPX1096A2	605708	Support Ring, Basket
SPX1096K	34956	Weir
SPX1090D	34215	Face Plate
SPX1094G	64800	Gasket
SPX1090GA	34775	Throttle Plate with Screw
SPX1090Z1A	34225	Screw Set, Face Plate
SPX1030Z1C	34220	Screw Set – 1 1/4" long, Face Plate
SPX1090AA	605306	Body with Basket Ring
SPX1092C	34010	Access Plug

Wide-Mouth Skimmer Parts (SP1090WM)

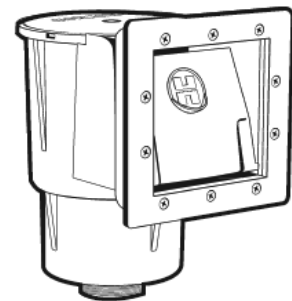
SPX1090WMCV	CALL	Cover
SPX1090WMSB	623806	Skimmer Basket
SPX1090WMW	615058	Weir
SPX1090WMVA	613011	Vacuum Adapter
SPX1090WMFP	CALL	Face Plate
SPX1090WMSG	CALL	Sealing Gasket (Set of 2)



SP1090

Hayward AG Skimmers SP1091-1091WM

Key Part#	SKU	Description
SPX1091B	34200	Skimmer Cover
SPX1091C	36660	Basket with Handle
SPX1091K1	34201	Weir
SPX1091D	34202	Face Plate, Standard
SPX1091F	34204	Face Plate, Widemouth
SPX1091E	615060	Widemouth Extension
SPX1091G	64430	Gasket STD, Butterfly
SPX1091GW	64431	Gasket Widemouth, Butterfly
SPX1090Z6A	615059	Screw Set, Standard
SPX1090Z7A	34203	Screw Set, Widemouth



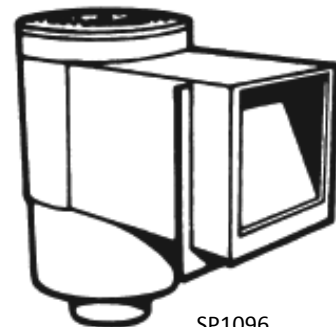
SP1091

Hayward Skimmers SP1094-Series & SP10950M

Key Part#	SKU	Description
SPX1094FA	36650	Basket – 4 3/4" O.D. x 3"
SPX1094C	34425	Cover
SPX1094K	34953	Weir
SPX1094B	605728	Face Plate
SPX1094G	64800	Gasket (SPX1090E for SP10940M)
SPX1090Z1A	34225	Screw Set, face Plate
SPX1030Z1C	34220	Screw Set – 1 1/4" (SP1094SPA), Face Plate
SPX1094R	605727	Face Plate Cover – Snap-On

Hayward Skimmers SP1096, 1097 & 1098 Series

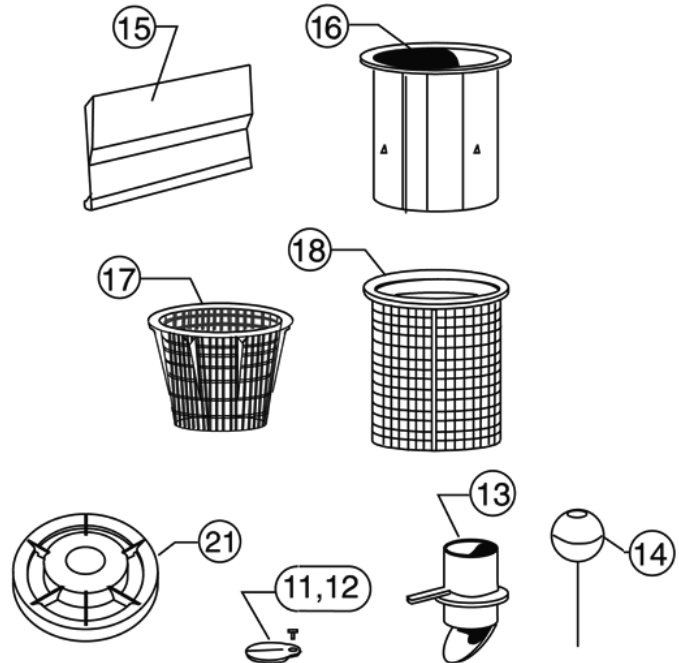
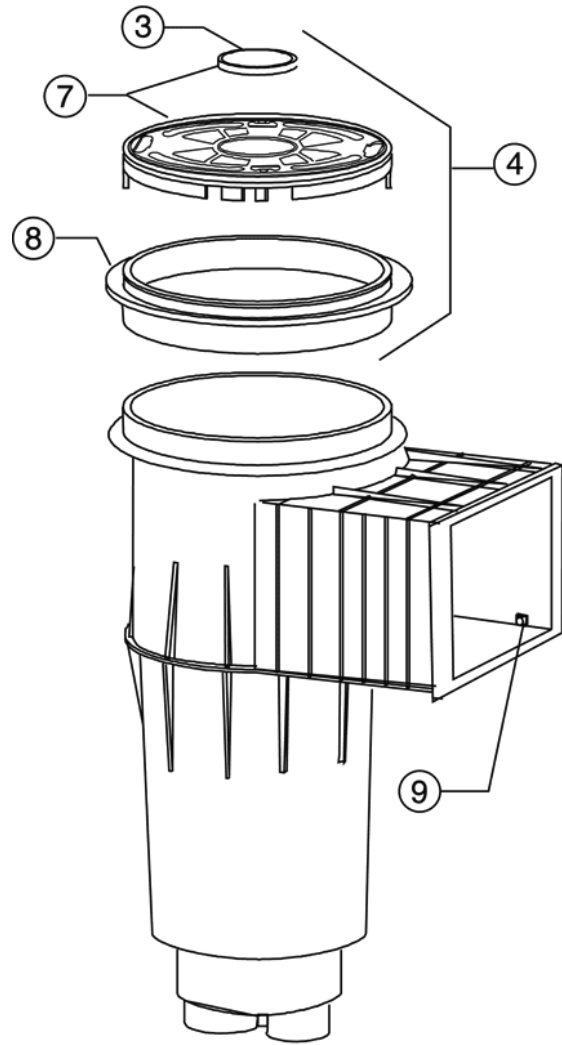
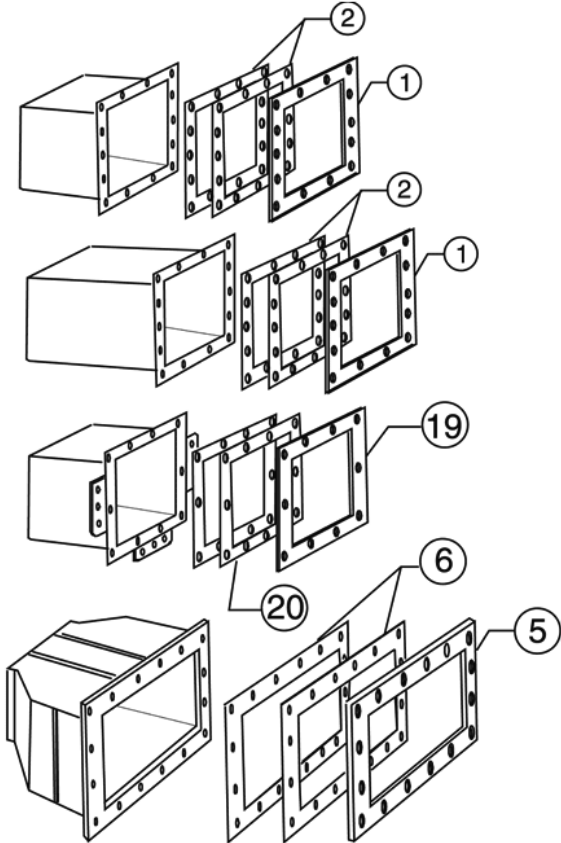
Key Part#	SKU	Description
SPX1096B	34430	Cover
SPX1096AX	605709	Adjusting Collar
SPX1096CA	36655	Basket, 5 1/8" O.D. x 3"
SPX1096A2	605708	Support Ring, Basket
SPX1096K	34956	Weir
SPX1097D	605707	Face Plate (SP1097, 1098)
SPX0097E	608673	Gasket (SP1097, 1098)
SPX1090Z1A	34225	Screw Set, Face Plate



SP1096

Pentair Skimmers
Admiral (American)

Key	Part#	Sku	Description
1a	85004200	605649	Face Plate, White (12-Hole Pattern)
1b	85004211	CALL	Face Plate, Black (12-Hole Pattern)
1c	85004213	CALL	Face Plate, Dk Grey (12-Hole Pattern)
2	85001600	622417	Gasket, Face Plate
3	510161	605479	Logo Disc
4a	85000400	CALL	Lid, Ring & Seat (White)
4b	85000411	CALL	Lid, Ring & Seat (Black)
4c	85018000	CALL	Lid, Ring & Seat (Tan)
5	85007600	605478	Face Plate, Wide Mouth
6	85007700	608551	Gasket, Wide Mouth Face Plate
7a	L4RW	34410	Lid, Old Style (850005)
7b	85007400	34416	Lid, Lock Down (White)
7c	85007411	CALL	Lid, Lock Down (Black)
7d	85007413	CALL	Lid, Lock Down (Grey)
7e	85007430	34417	Lid, Lock Down (Tan)
8	85000600	605652	Deck Ring 9" Round, White
9	85017500	605644	Pivot Tab, Wier
11	85002400	605650	Valve Plate
12	98204400	54513	Screw, 10-24 x 1/2" SS
13	85002600	34850	Vari-Flo Valve
14	85002000	605643	Ball Valve Assy.
15	85001500	34909	Weir Flap
16	B-38	34235	Floating Weir (R38013B)
17	B-200	36492	Basket, Tapered (85014500)
18	B-37	36530	Basket, Straight (R38013A)
19	85000300	605648	Face Plate, White (10-Hole Pattern)
20a	81111800	CALL	Gasket, for Double Wall (10-Hole Pattern)
20b	81111700	CALL	Gasket, for Single Wall (10-Hole Pattern)
21	85015200	34120	Equalizer Valve Assy.
21a	355330	66493	O-ring, Equalizer Valve



Pentair Skimmers Bermuda (Pac-Fab) & FAS (American)

Pentair (Pac-Fab) Bermuda Skimmers

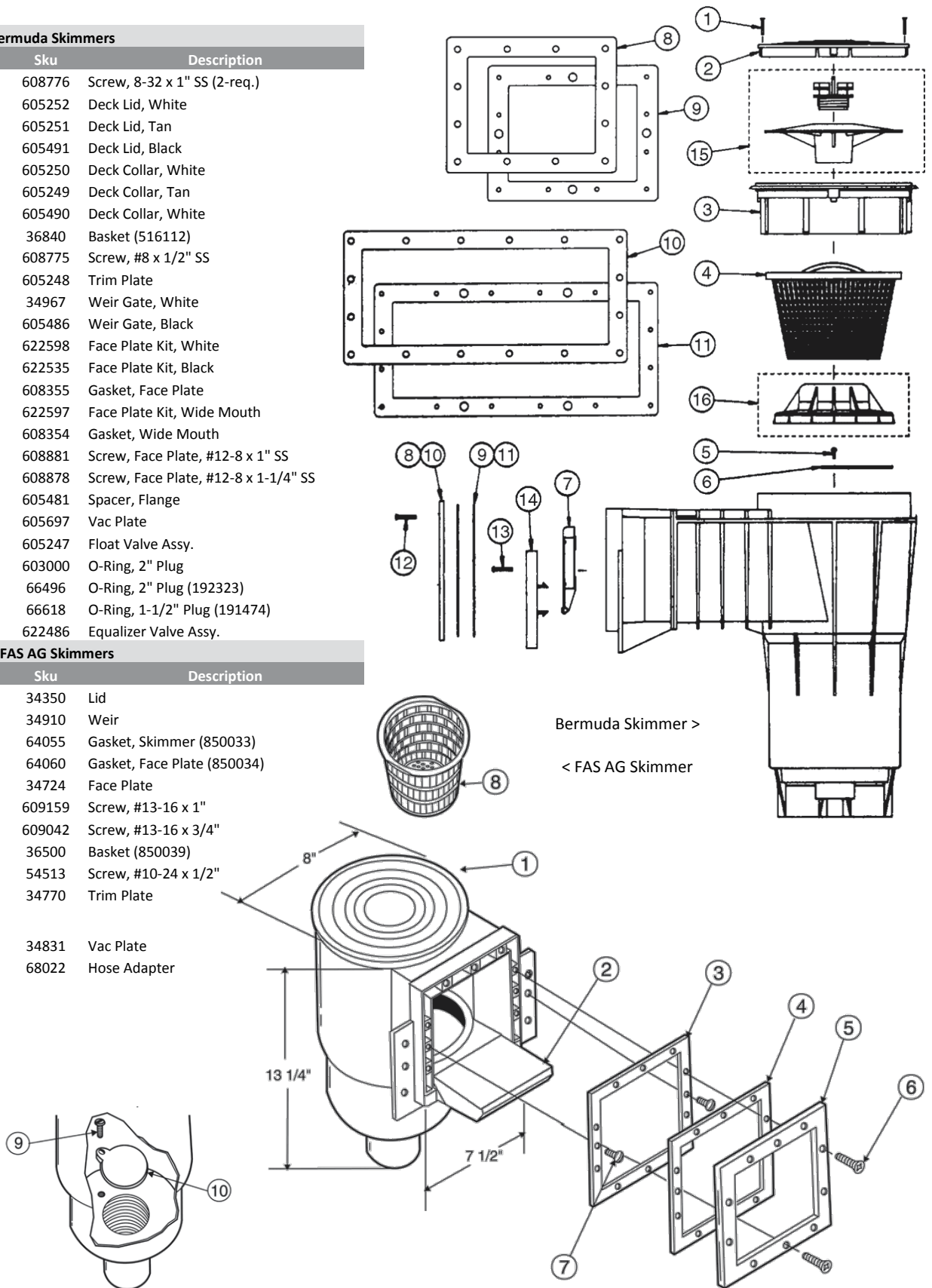
Key	Part#	SKU	Description
1	516242	608776	Screw, 8-32 x 1" SS (2-req.)
2a	516215	605252	Deck Lid, White
2b	516216	605251	Deck Lid, Tan
2c	516306	605491	Deck Lid, Black
3a	516253	605250	Deck Collar, White
3b	516258	605249	Deck Collar, Tan
3c	516259	605490	Deck Collar, White
4	B-9	36840	Basket (516112)
5	516243	608775	Screw, #8 x 1/2" SS
6	516228	605248	Trim Plate
7a	516252	34967	Weir Gate, White
7b	516315	605486	Weir Gate, Black
8a	516264	622598	Face Plate Kit, White
8b	516324	622535	Face Plate Kit, Black
9	552566	608355	Gasket, Face Plate
10	516265	622597	Face Plate Kit, Wide Mouth
11	516231	608354	Gasket, Wide Mouth
12	516239	608881	Screw, Face Plate, #12-8 x 1" SS
13	516241	608878	Screw, Face Plate, #12-8 x 1-1/4" SS
14	516237	605481	Spacer, Flange
15	506161	605697	Vac Plate
16a	506160	605247	Float Valve Assy.
16b	195829	603000	O-Ring, 2" Plug
16c	O-24	66496	O-Ring, 2" Plug (192323)
16d	O-125	66618	O-Ring, 1-1/2" Plug (191474)
16e	506162	622486	Equalizer Valve Assy.

Pentair (American) FAS AG Skimmers

Key	Part#	SKU	Description
1	85004700	34350	Lid
2	85003200	34910	Weir
3	G-234	64055	Gasket, Skimmer (850033)
4	G-233	64060	Gasket, Face Plate (850034)
5	85004000	34724	Face Plate
6	98202900	609159	Screw, #13-16 x 1"
7	98203000	609042	Screw, #13-16 x 3/4"
8	B-172	36500	Basket (850039)
9	98204400	54513	Screw, #10-24 x 1/2"
10	85009600	34770	Trim Plate

Not Shown

85002800	34831	Vac Plate
510166	68022	Hose Adapter



Bermuda Skimmer >

< FAS AG Skimmer

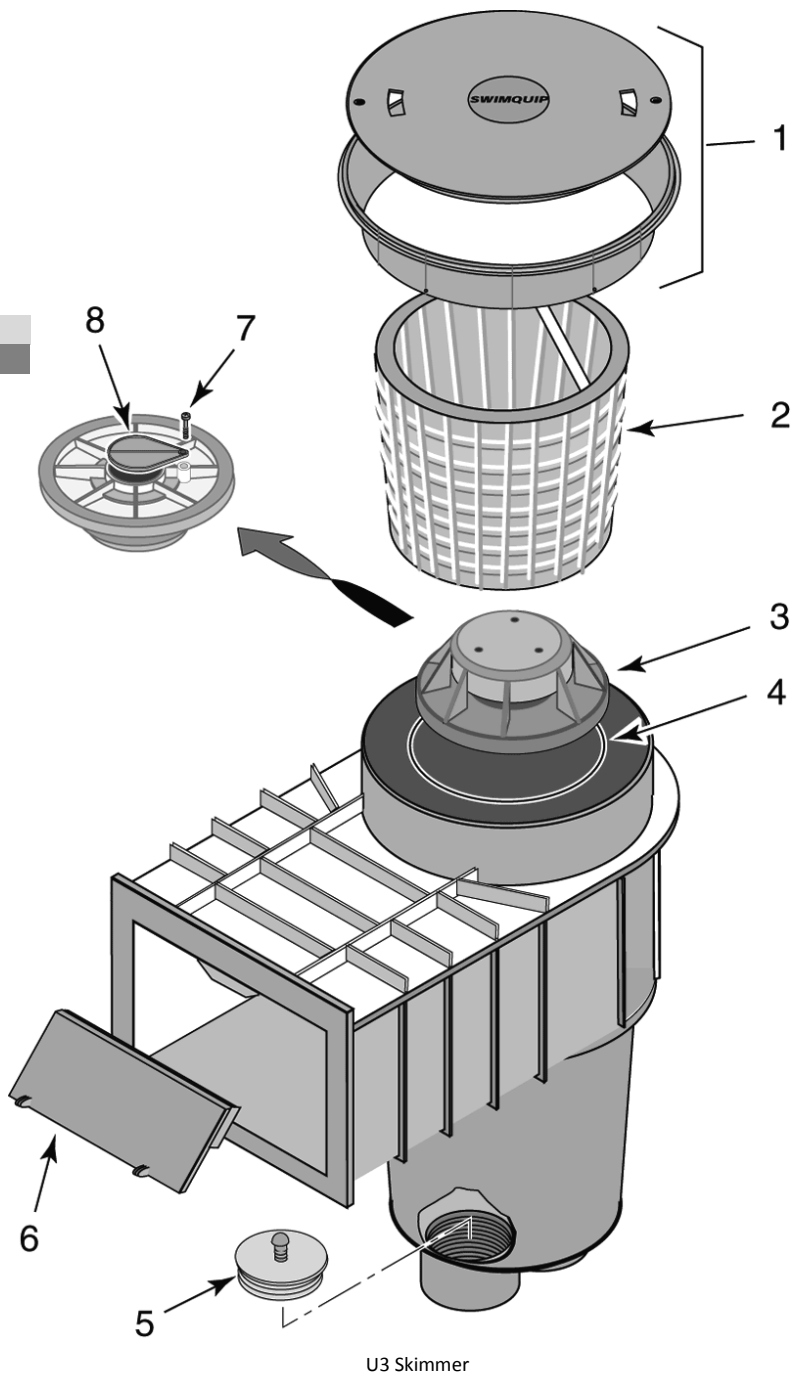
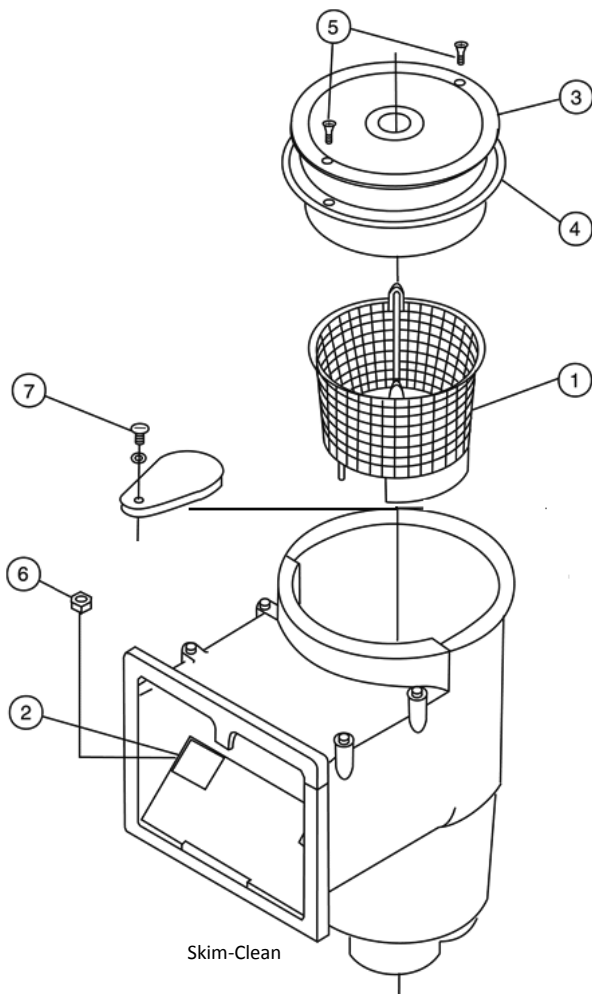
Pentair Skimmers
Skim-Clean (Pac-Fab) & U3 (Sta-Rite)

Pentair/Sta-Rite U3 Skimmers

Key	Part#	SKU	Description
1a	L1RW	34450	Deck Lid (Generic)
1b	08650-0158	34475	Deck Lid (Tan)
1c	08650-0169	622390	Lid and Collar - (White)
1d	08650-0169C	622389	Lid and Collar (Gray)
2	B-9	36840	Basket (08650-0007)
3	08650-0079	34240	Float Assembly with O-Ring
4	O-108	66380	O-Ring, Valve (35505-1273)
5	08655-0017	613820	Check Valve, 2" Spring
6a	08650-0022	34965	Hinged Weir Assy.
6b	34924	34924	Weir Gate 8-3/8" (Generic)
7	37207-0027	CALL	Screw, #8x1/ 2"
8	08650-0048	34150	Equalizer Flap
---	08650-0042	34840	Vac Plate

Pentair (Pac-Fab) Skim-Clean Skimmers

Key	Part#	SKU	Description
1	B-43	36795	Basket (513036)
2	34918	34918	Weir Gate 7-1/4" (Generic)
3	L5R	34460	Deck Lid (513030)
4	513031	605494	Deck Ring
5	512149	CALL	Screw, #6-32 x 7/16" SS
6	192106	605654	Nut, 1/4" #20 SS
7	98204400	54513	Screw, #10-24 x 12"



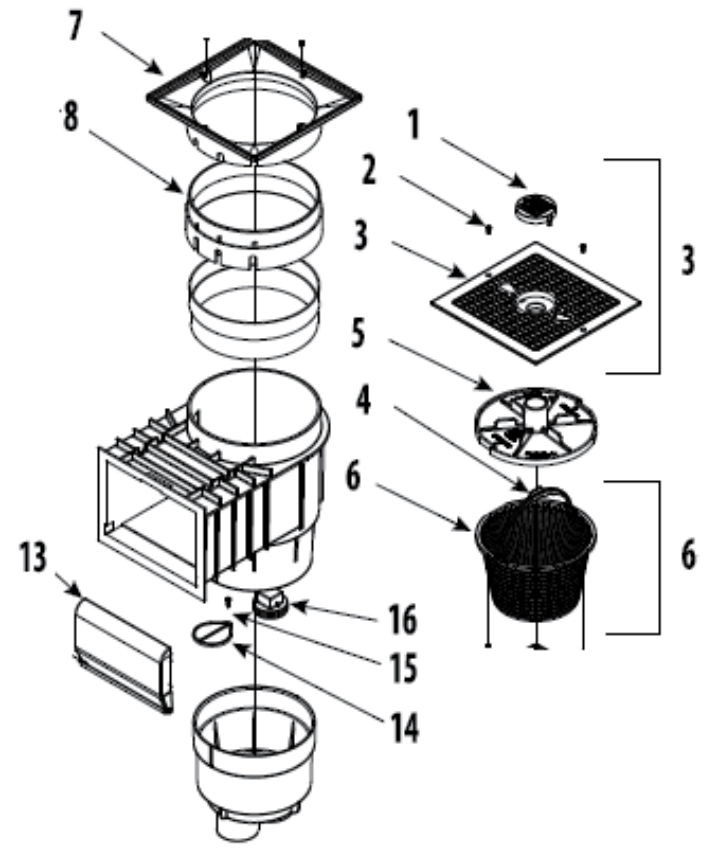
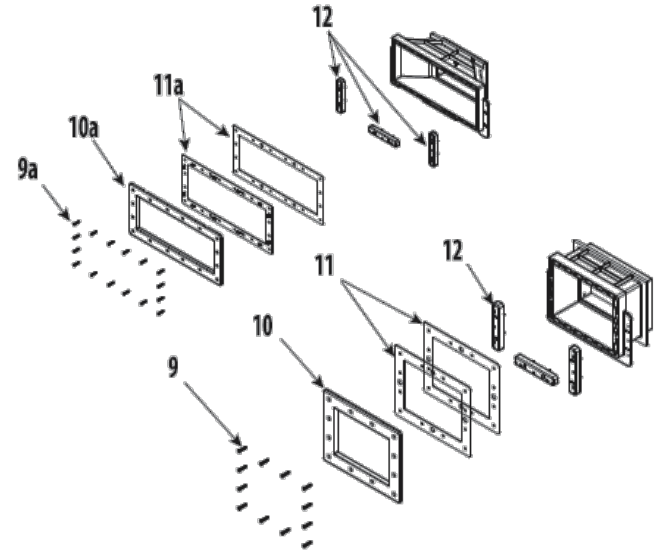
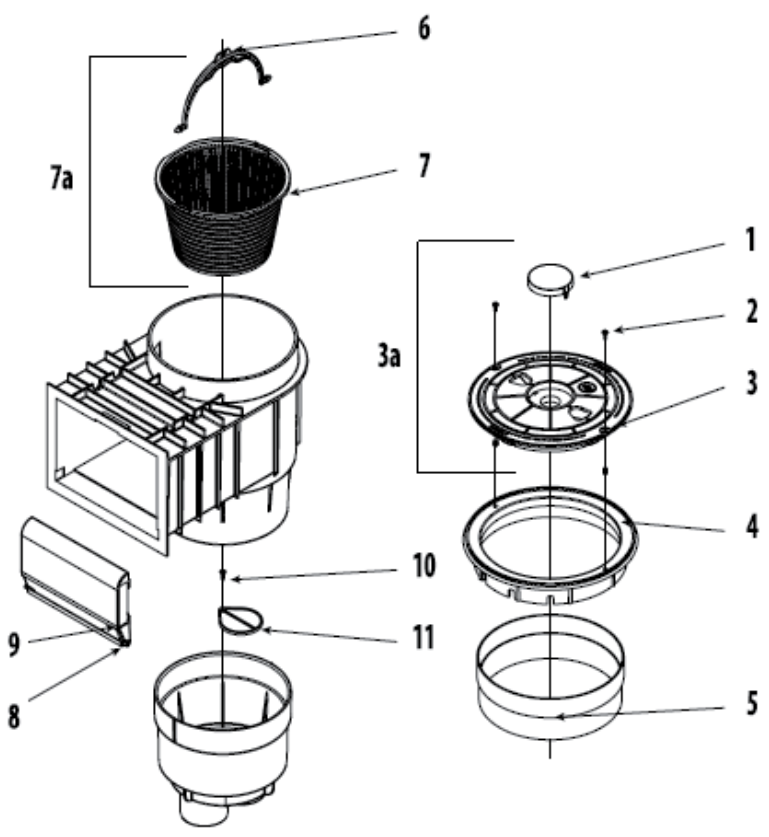
Waterway Skimmers Renegade In-Ground Skimmers

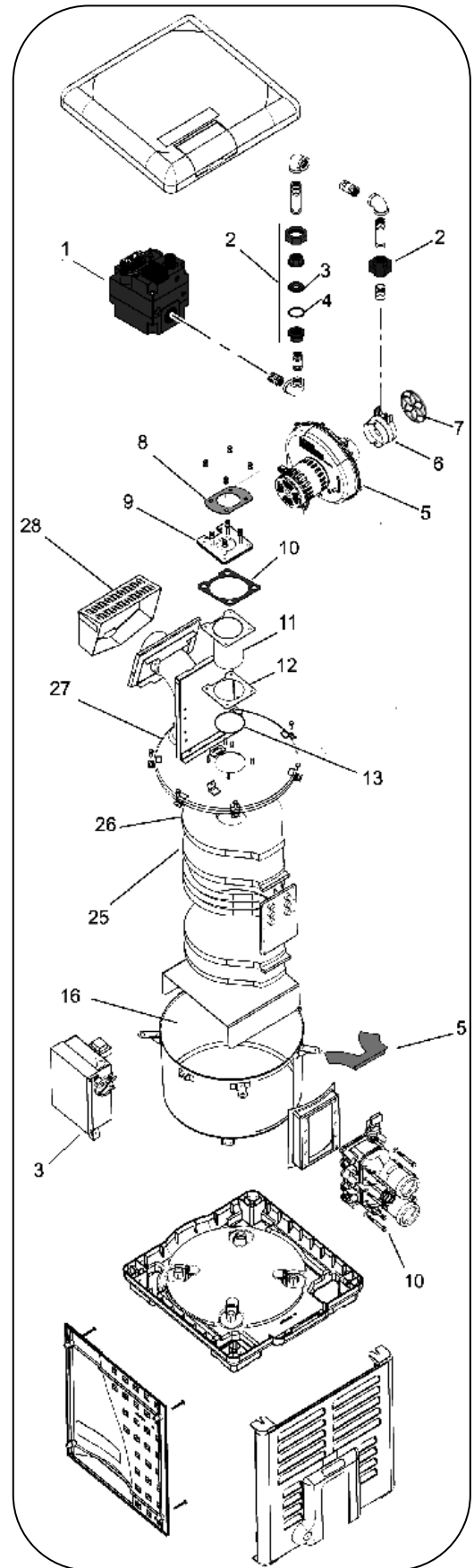
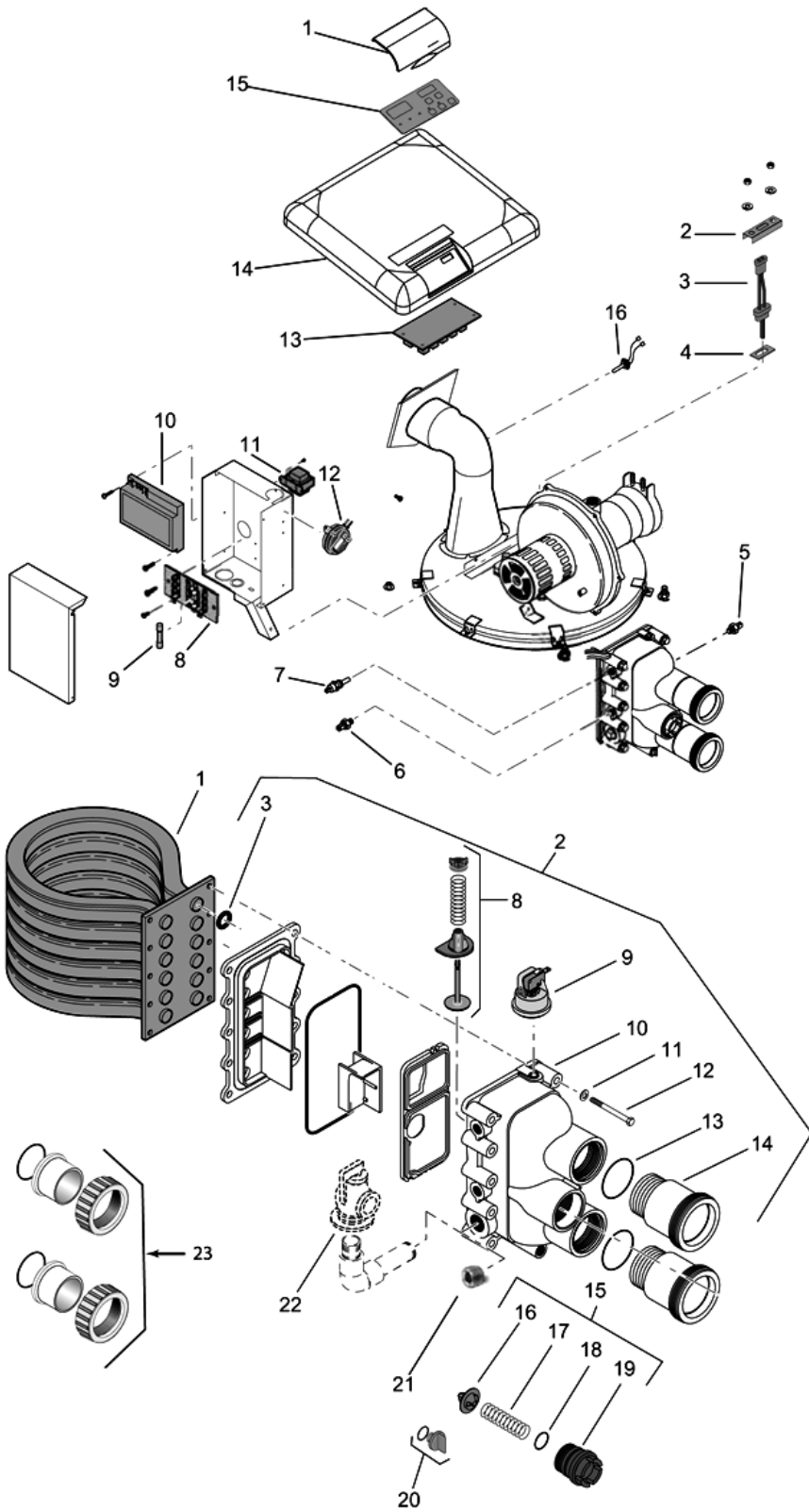
Waterway Renegade Skimmer for In-Ground Pools

Key	Part#	SKU	Description
1	519-6460	CALL	Blank Lid Insert
2	819-0005	614303	Screw #8-32 x 7/16"
3a	519-6450	621680	Lid - White
3b	519-6479	621702	Lid - Tan
3c	519-6471	621703	Lid-Black
3d	519-6477	621705	Lid-Grey
4	519-6420	621657	Lid & Mounting Ring - White
5	519-6570	621534	Mounting Ring Extension
6	519-3250	605263	Handle, Basket
7a	542-3240	621588	Basket with Handle, Standard
7b	542-9600	621698	Venturi Basket, Deep
8	550-9950	614229	Weir Door Assembly
9	865-0200	CALL	Foam, Weir Door
10	819-4350	621393	Screw #8 x 5/8" Phil. Pan Head
11	519-6470	621472	Diverter Plate

Waterway Renegade Skimmer for Vinyl Liner & Fiberglass Pools

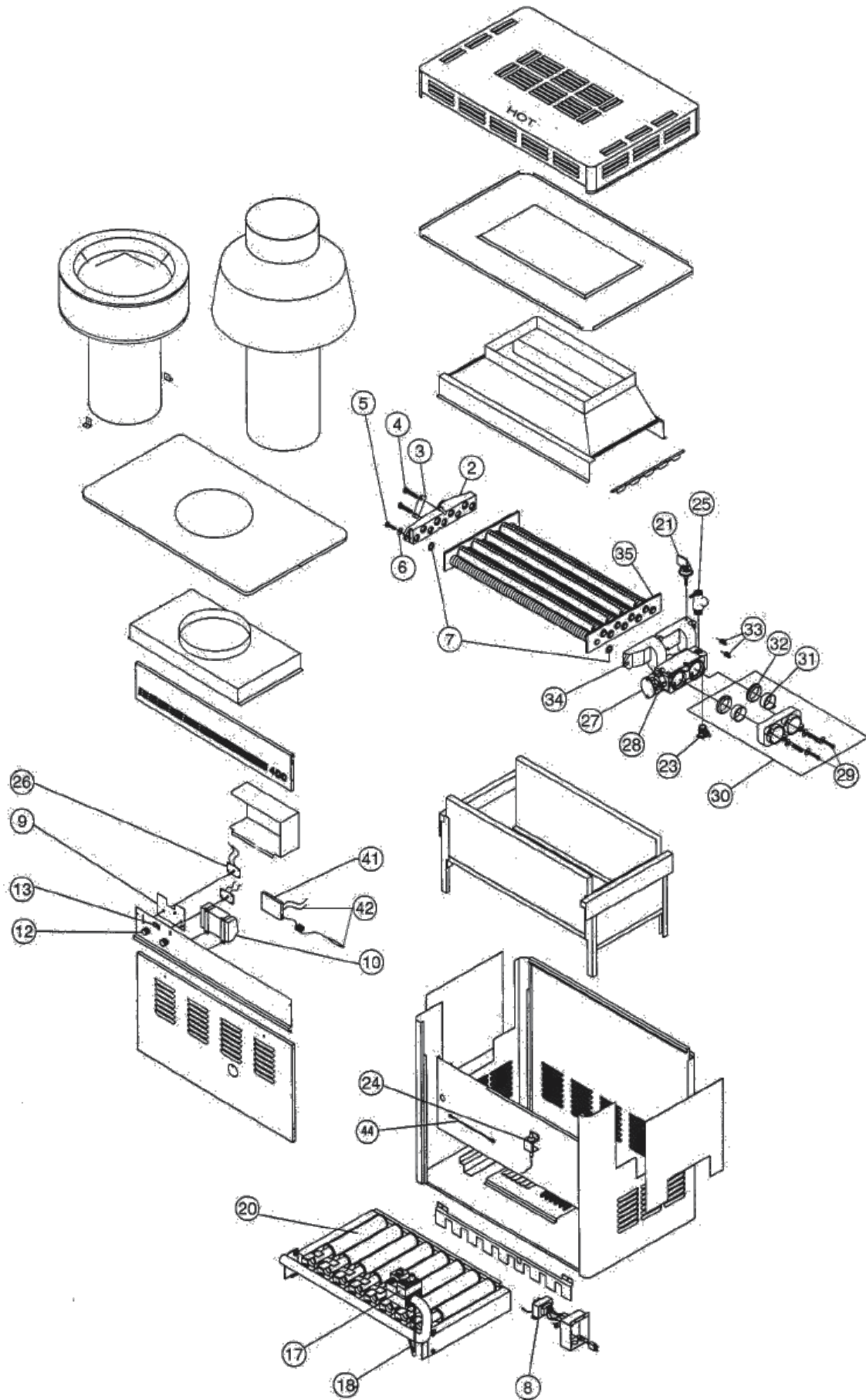
Key	Part#	SKU	Description
1	519-6460WW	CALL	Logo Insert, Lid
2	819-0005	614303	Screw #8 32 x 7/16" (2 req.)
3	540-6490WW	621713	Square Lid with Logo Insert
4	519-3250	605263	Handle, Basket
5	519-6480	621674	Vacuum Plate
6	542-3240	621588	Basket Assembly with Handle
7	519-9510	621631	Square Collar
8	519-6560	CALL	Extension Ring
9a	819-6945	CALL	Screw #12 x 1-1/4" (Vinyl Pools)
9b	819-6950	CALL	Screw #12 x 1-1/2" (Fiberglass Pools)
10	519-9530	621637	Face Plate - Standard
10a	519-9550	621726	Face Plate - Wide Mouth
10b	519-9530	621637	Face Plate - for Fiberglass Pools
11	711-9510	621604	Gasket - Standard (2 req.)
11a	711-9520	621707	Gasket - Wide Mouth (2 req.)
12	713-9520	621573	Spacer (3 required)
13	550-9650	621689	Weir Door Assembly
14	519-6470	621472	Diverter Plate
15	819-4350	621393	Screw - 8 x 5/8"
16	715-9910	601423	2" NPT Plug





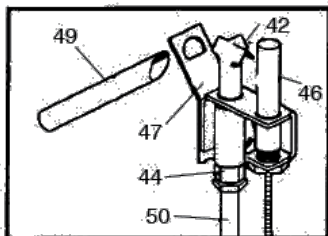
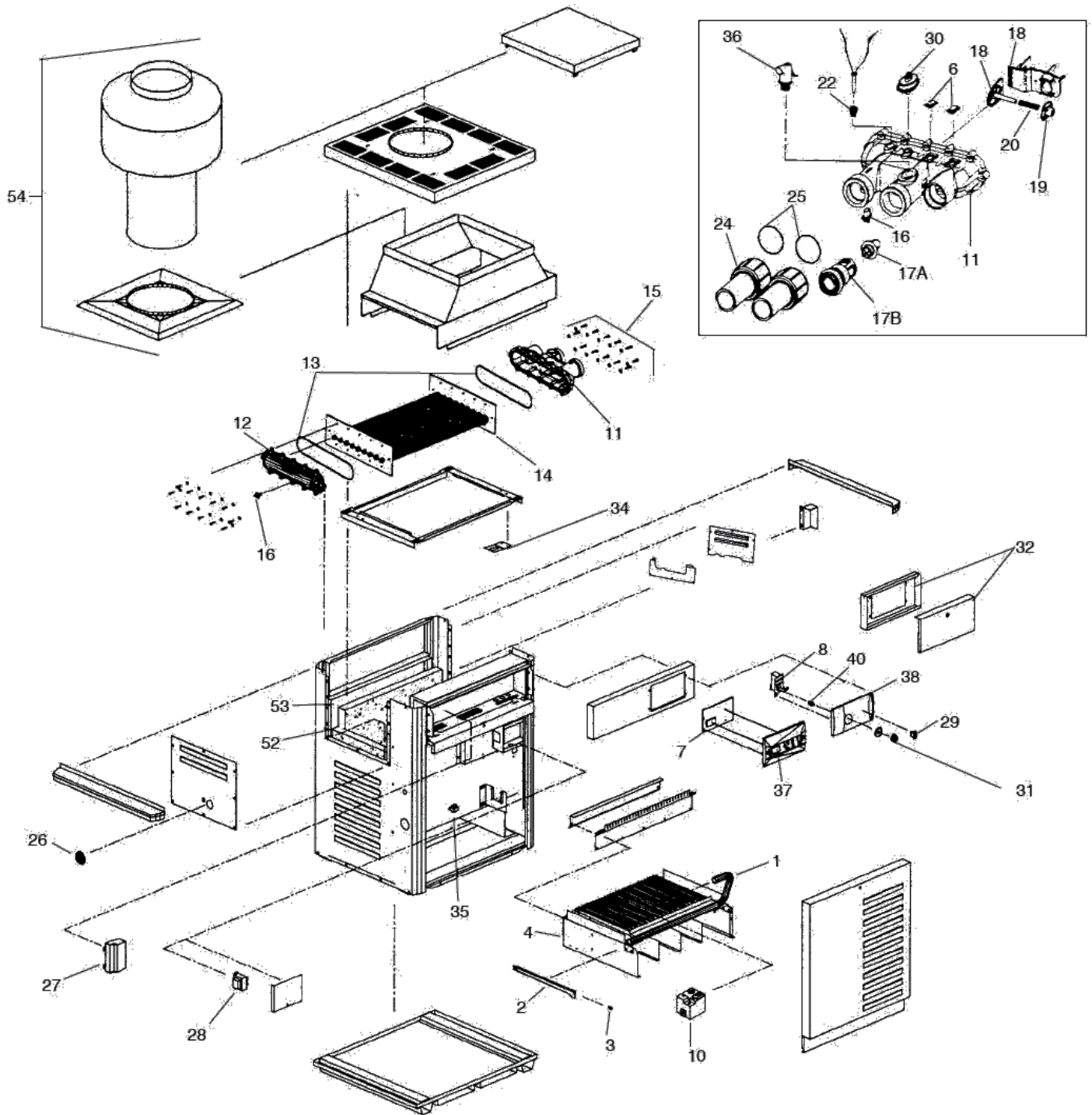
Key	Part#	Sku	Description	Key	Part#	Sku	Description
1	42001-0051S	604338	Gas & Control Valve	11	32850-0099	604347	Fuse, Fireman's Switch
2	38404-4097S	604337	Union, 3/4" (Does not Incl.#3-4)	12	42001-0052S	604346	Ignition Control Module
5a	77707-0251	621077	Air Blower Kit, 175-200 Nat. Gas	13	42001-0107S	626511	Transformer 115/230V
5b	460743	626517	Air Blower Kit, 250 Nat. Gas	14	42001-0061S	604344	Switch, Air Flow
5c	460757	626525	Air Blower Kit, 300 Nat. Gas	15	42002-0007S	604342	PC Control Board (NA/LP Series)
5d	77707-0253	621081	Air Blower Kit, 400 Nat. Gas	17	42002-0034Z	626513	Top, Heater
5e	77707-0254	621076	Air Blower Kit, 175-200 Propane	18	472610Z	626529	Membrane Pad (NA/LP Series)
5f	460744	626518	Air Blower Kit, 250 Propane	19	42002-0024S	620974	Sensor, Flue
5g	460758	626526	Air Blower Kit, 300 Propane	*	42001-0104S	626509	Wire Harness
5h	77707-0256	621080	Air Blower Kit, 400 Propane	*	42001-0105S	626510	Plug Kit 120/240V
7	42001-0114S	NLA	Obsolete- Orifice (Use Item# 16)	*	472734	622812	Label Assy., Bezel
Air Orifice Kits				Water Systems			
16a	42001-0200S	626531	Combustion Chamber (Pre-2009)	1a Tube Sheet Coil Assy. (Pre-2009)			
16b	474095	CALL	Combustion Chamber (2009-)	77707-0232	604305	175-200 BTU	
27a	42001-0214S	604287	Metal Elbow, Chamber (Pre-2009)	460747	CALL	250 BTU	
27b	474094	CALL	Metal Elbow, Chamber (2009-)	77707-0233	604304	300 BTU	
27c	474201	CALL	O-ring, Tube (2009-)	77707-0234	604303	400 BTU	
3-4 Gas Orifice Kits				473710	626530	HD-250 BTU	
460796	CALL	Nat. Gas 175		77707-0244	621115	HD-400 BTU	
77707-0431	626584	Nat. Gas 200		1b Tube Sheet Coil Assy. (2009-)			
460739	626514	Nat. Gas 250		474058	CALL	175-200 BTU	
460753	626523	Nat. Gas 300		474059	CALL	250 BTU	
77707-0411	626583	Nat. Gas 400		474060	CALL	300 BTU	
460797	CALL	Propane 175		474061	CALL	400 BTU	
77707-0461	626586	Propane 200		474063	CALL	HD-250 BTU	
460740	CALL	Propane 250		474065	CALL	HD-400 BTU	
460754	626524	Propane 300		2 Burner Manifolds			
77707-0441	626585	Propane 400		Manifold Kits, Includes:			
6-7 Air Orifice Kits				-Water Systems Item# 3-14 & 21			
460798	CALL	175 BTU		-Electrical Systems Item# 7-9			
77707-0111	626581	200 BTU		2	474200	CALL	Manifold Kit (Incl.#3,5,10-14) Basic
460745	626519	250 BTU		2a	77707-0014	621061	175-200 BTU
460759	626527	300 BTU		2b	460748	626521	250 BTU
77707-0113	626582	400 BTU		2c	77707-0015	621062	300 BTU
10-13 Flame Holder Kits				2d	77707-0016	621063	400 BTU
77707-0202	604318	175-200 BTU		3a	77707-0117	604302	O-Ring Kit (6-pk), Coil Assy. 175-200
460746	CALL	250 BTU		3b	460749	626522	O-Ring Kit (8-pk), Coil Assy. 250
77707-0203	604317	300 BTU		3c	77707-0118	604301	O-Ring Kit (10-pk), Coil Assy. 300
77707-0204	604316	400 BTU		3d	77707-0119	604300	O-Ring Kit (12-pk), Coil Assy. 400
8-10,12	77707-0011	604319	Gasket Kit, Blower Adapter Plate	3 & 5	77707-0120	620927	O-Ring Kit (Incl.#3 & 5)
Electrical System				8	77707-0001	604295	By-Pass Valve Kit
2	42002-0035Z	CALL	Cover, Display	9	42001-0060S	604299	Water Pressure Switch
3	42001-0030S	604355	Ignitor Bracket	14	77707-0017	620947	Connector Tube w/O-ring ea.
4	77707-0054	604354	Gasket Kit, Ignitor (Incl.#4-5)	15	77707-0010	604294	Thermal Regulator Kit (Incl.#16-19)
5	42001-0066S	604353	Gasket, Ignitor	16	38000-0007S	626508	Thermal Regulator w/Spring Clip
7	42002-0025S	604352	Gas Auto Shut Off Switch	18	35505-1313	66653	O-Ring, Therm. Regulator
8	42001-0063S	604351	High Limit Switch	20	U178-920P	601039	Drain Plug
9	42001-0053S	604350	Thermistor	21	U78-60ZPS	626635	Pipe Plug, 3/4"
10	42001-0056S	604348	Terminal Board	22	473715Z	52555	Pressure Release Valve
				23	PKG-188	600468	Union

Key	Part#	Sku	Description	Key	Part#	Sku	Description
5 Blower w/Gasket				32a	460799Z	622658	Ignitor (NT, TSI w/6800 Cont.)
	472361	622841	200, 250TSI & 300 w/DDTC Cont.	32b	472477Z	622623	Ignitor (NT, TSI w/DDTC Cont.)
	472362	622842	250, 300STD/LN & 400LN	33	472370	622548	Window Glass w/Holder
	472374	622840	400STD/NT	34	472251	CALL	Flame Sensor
	472524	NLA	Obsolete- 400TSI & 300TSI	35a	472285	NLA	Obsolete- Use Item# 31
6	471610	622363	Gasket, Blower	35b	472286	622665	Gas Manifold, 0-4000 FT 250
9	471991	622584	Return Header Only	35c	472287	NLA	Obsolete- Use Item# 31
10	471622	622187	Bolt, Heat Exchanger	35d	472288	622700	Gas Manifold, 0-4000 FT 400
11	72184	40905	Washer, Heat Exchanger	36	472434	CALL	Gas Orifice, 0-2999 FT
13a Heat Exchanger with Headers				37	472211	622590	Burner
	470371	622918	ASME 200 NT STD	41	472015	622745	Junction Box
	470372	622927	ASME 250 NT STD	42		CALL	Air Pressure Switch
	470373	622928	ASME 300 NT STD	43a	472150	622736	Ignition Control (NT & TSI Cont.)
	470375	622929	ASME 400 NT STD	43b	472447	622729	Ignition Control (STD & LN Cont.)
	471910	622907	200 BTU	43d	472449	622813	Ignition Control (w/6800 Cont.)
	471785	622910	250 BTU	43c	472080	NLA	Obsolete- Ignition Control
	471928	622913	300 BTU	44a	472086	622814	Temp. Controller (w/6800 Cont.)
	471838	622920	400 BTU	44b	472100	622824	Temp. Controller (w/DDTC Cont.)
13b Heat Exchanger Without Headers				45	472083	622622	Gas Pressure Switch
	471933	622857	200 BTU	46	471597	622473	Sub-Gas Manifold
	471934	622861	250 BTU	47	460760	622775	Gas Valve, Nat. Gas
	471935	622867	300 BTU	48a	471905	NLA	Obsolete- Burner Tray 250
	471936	622889	400 BTU	48b	472016	622885	Burner Tray 250
14 Baffles, Heat Exchangers				48c	471923	622582	Burner Tray 300
	471642	622246	200 BTU	48d	471981	622925	Burner Tray 400
	471641	622249	250 BTU	49	471696	622638	Ignitor Retro Kit (NT & LN)
	471896	622297	300 BTU	50		CALL	Gas Manifold
	471640	622260	400 BTU	51	471984	622275	Gas Orifice, 0-2999 FT
15	471566	622500	Probe, Thermistor	52	471668	622582	Burner
16	471587	622489	High Limit 115°F	53	472365	622617	Sub-Gas Manifold (NT & STD)
17	471694	622496	High Limit 150°F	54a	460760	622775	Gas Valve, Nat. Gas
18a	473605	622545	Pressure Switch (Repl# 472125)	54b	460761	622776	Gas Valve, Propane
18b	470190	613572	Pressure Switch (ASME, NT & STD)	55		CALL	Burner Tray
19	472363	622675	In/Out Top Sub-Heater	56a	460799Z	622658	Ignitor (6800 Cont.)
20	471992	622803	In/Out Main Header	56b	472604	622572	Ignitor (DDTC Cont.)
21	472364	622682	In/Out Bottom Sub-Header	57	471603	622415	Flame Sensor
22	471420	622332	Cap, Bottom Sub-Header	58		CALL	Gas Manifold
23	274494	66535	O-Ring, Bulkhead	59a	73727	605167	Orifice, Nat. Gas 0-2999 FT
24	274440	602267	Locknut	59b	73728	605166	Orifice, Propane 0-2999 FT
25	471441	622378	Bulkhead Adapter, 2"	60a	70230	605104	Burner
26	70951	52895	Seal, Flow Valve	60b	471970	622530	Burner w/Bracket
27	471750	622709	Flow Control Assy.	*	75173	605222	Thermal Cut-Off
28	472330	622508	Power Element, Flow Valve	*	472508	613592	Transformer 40V
29	472365	622617	Sub-Gas Manifold	*	472320	622743	Wire Harness (DDTC Cont.)
30	460762	CALL	Gas Valve, Nat. Gas (TSI Models)	*	472375	622731	Wire Harness (6800 Cont.)
31 Burner Tray Assy.				*	472514	CALL	Wire Harness (DDTC Cont.)
	472366	622874	200 BTU	*	470181	622264	Shaft, Thermostat
	472367	622890	250 BTU	*	470184	613592	Knob, Thermostat
	472368	622892	300 BTU	*	470328	622353	Silicone Tubing
	472369	622905	400 BTU	*	471773	CALL	Power Switch

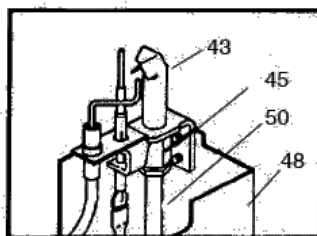


Pentair Heaters
Mini-Max Plus

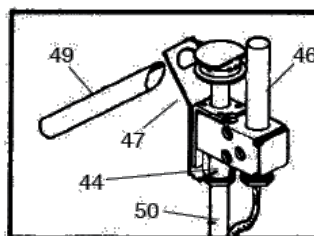
Key	Part#	Sku	Description	Key	Part#	Sku	Description
2	070994	605077	Return Header	29	075492	609069	Bolt, Flange
3	074216	605103	Washer, Bracket	30	075284	604434	Flange Kit
4	073739	609158	Bolt, 3/8"x 2" Header	31	070544	605094	Bushing, Lexan
5	070416	609157	Bolt, 3/8"x 1-1/2" Header	32a	071895	608719	Rubber Sleeve, 2"
6	072180	605076	Washer, 3/8"	32b	070229	NLA	Obsolete- Rubber Sleeve
7	070951	52895	Gasket, Tube	33	071017	605088	Shut Off Switch
8	471360	605201	Transformer	34	070985	605075	In/Out Header
9	470179	604075	PC Board IID, Thermostat	35 Heat Exchangers			*Exchangers Less Headers
10a	073584	605218	Module, Nat. Gas		074452	604433	Heat Exchanger, 150*
10b	073585	605217	Module, Propane		075628	604430	Heat Exchanger, 200*
12	470184	613592	Knob, Thermostat		074451	604432	Heat Exchanger, 250*
13	470186	605127	Rocker Switch		075629	604429	Heat Exchanger, 300*
17a	073998	605168	Gas Valve, IID Nat. Gas		075630	604428	Heat Exchanger, 350*
17b	073999	605122	Gas Valve, IID Propane		074074	604431	Heat Exchanger, 400*
17c	075457	605115	Gas Valve, MV Nat. Gas	41	471677	613593	Thermostat (MV Models)
17d	075458	605114	Gas Valve, MV Propane	42	470180	603876	Thermister Sensor (IID Models)
18a	075191	605113	Pilot Tube, IID 150-200	42	471740	613591	Thermister Sensor (MV Models)
18b	075192	605112	Pilot Tube, IID 250-300	44	075173	605222	Fusible Link
18c	075193	605111	Pilot Tube, IID 350-400	*	471204	605191	Pilot, IID Nat. Gas
18d	076084	604951	Pilot Tube, MV 150-200	*	471205	605190	Pilot, IID Propane
18e	076085	604950	Pilot Tube, MV 250-300	*	471292	603881	Pilot, MV Nat. Gas
18f	076086	604949	Pilot Tube, MV 350-400	*	471291	603880	Pilto, MV Propane
20a	070230	605104	Burner	*	071515	605082	Pilot Generator
20b	470550	603882	Burner w/Bracket (Pilot)	*	073727	605167	Burner Orifice, Nat. Gas
21	470190	613572	Pressure Switch	*	073728	605166	Burner Orifice, Propane
23	072134	605074	Drain Valve, 3/4"	*	470965	613465	Wire Harness (IID Models)
24	075459	604424	Ignitor (for MV Models)	*	075511	604427	Wire Kit (MV Models)
25	072138	605072	Pressure Release Valve	*	470178	605070	Power Element, Flow Valve
26	471678	613571	Potentiometer (MV Models)	*	074202	605216	LED Indicator Board
27	471424	603879	Flow Control Assy.	*	070273	605205	TSTAT Potentiometer (IID Models)
28	074015	608723	Gasket, Flow Valve				



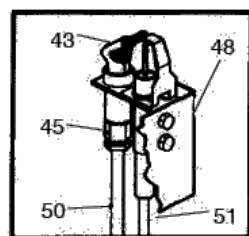
MV Pilot (Robershaw)



IID Pilot (Robershaw)



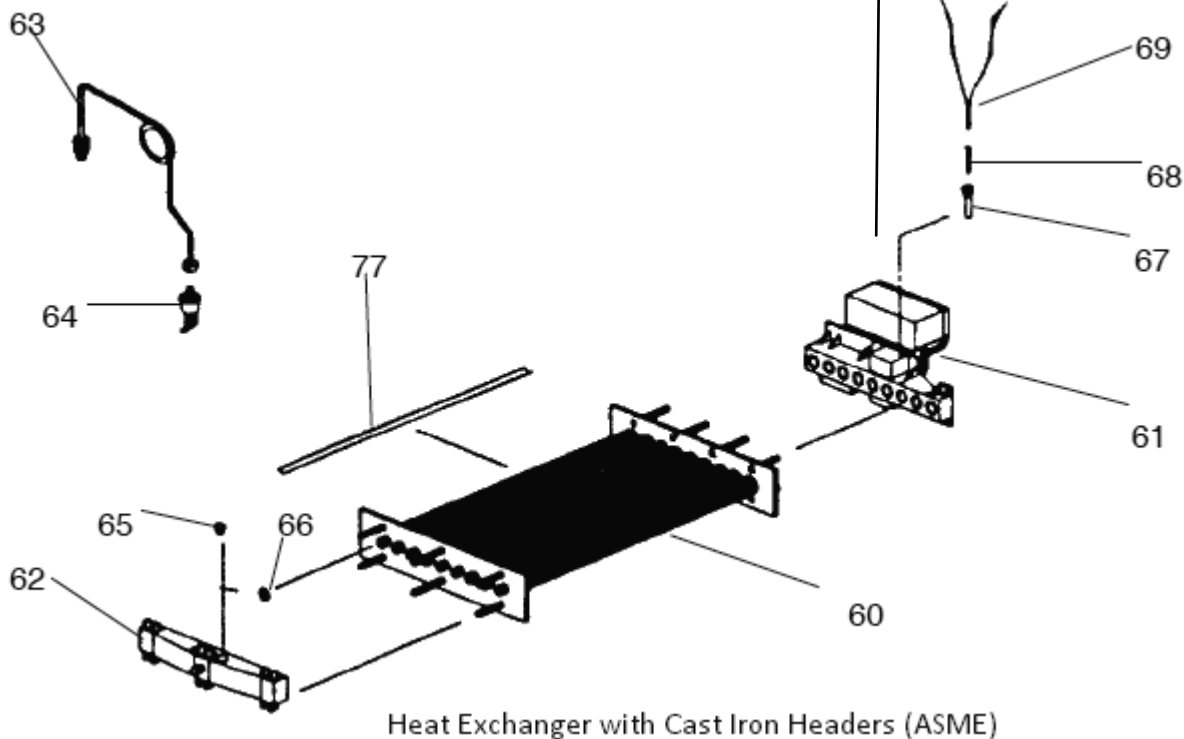
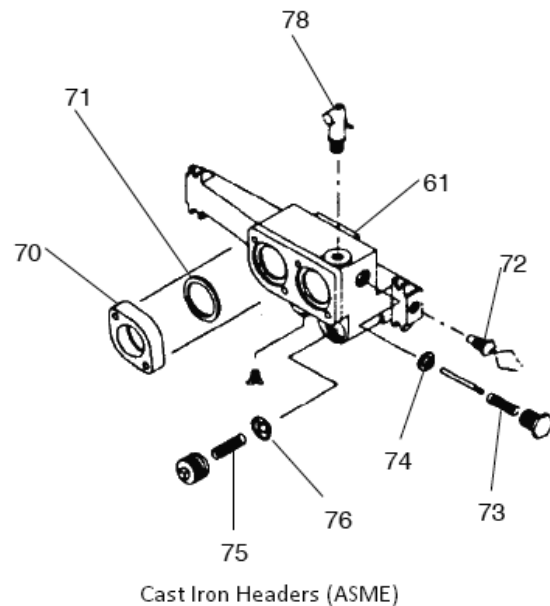
MV Pilot (Honeywell)



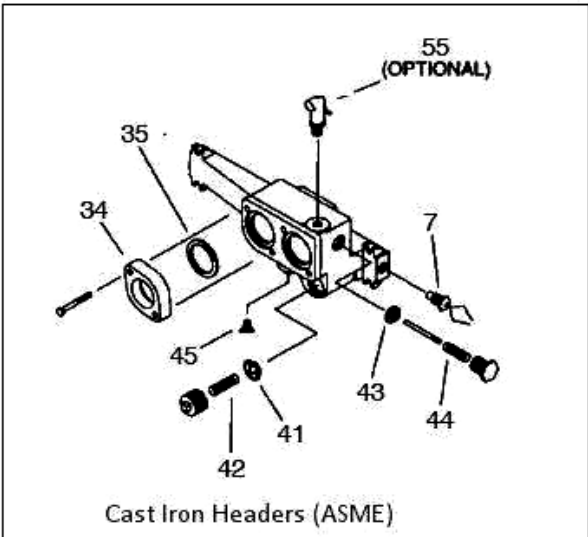
IID Pilot (Honeywell)

Key	Part#	Sku	Description	Key	Part#	Sku	Description
1 Burner Tray Only			No Gas Valve	27	004817B	52370	Ignition Control, IID Nat. Gas
	005213F	604629	R185	27	004818B	604972	Ignition Control, IID Propane
	005214F	604623	R265	28	006872F	NLA	Obsolete- Transformer (Use #27)
	005215F	604617	R335	28	006736F	52552	Transformer
	005216F	604611	R405	29	006872F	604563	Rocker Switch (MV Models)
2	301210	604736	Burner Only	30	006737F	52554	Pressure Switch, for Plastic Headers
3	350080	604601	Burner Orifice, Nat. Gas	31a	006885F	604897	Knob, Thermostat
3	350083	604734	Burner Orifice, Propane	31b	009499F	604561	Knob Kit, Therm. (Repl# 800303)
4	005265F	604599	Burner Tray Only 185	32	005198	604523	POOTSTAT Cover & Lock
4	005266F	604598	Burner Tray Only 265	34	307223	604558	Shield, Pilot
4	005267F	604597	Burner Tray Only 335	35	650914	605097	Thermal Fuse
4	005268F	604596	Burner Tray Only 405	36	008091F	52555	Pressure Release Valve 185
6	006725F	52512	High Limit 135°F	36	007224F	604704	Pressure Release Valve 265-405
7	010253F	52516	Circuit Board Kit	*	052871F	613721	Delimiting Kit
8	600827B	52850	Mechanical Thermostat, MV	*	005244F	605165	Wire Harness, MV
8	005391F	604938	Thermostat (MV Models)	*	005245F	605176	Wire Harness, IID
8	006701F	52515	Temp. Sensor, IID	37	006739F	604581	Control Panel, IID
10	003898F	52202	Gas Valve, MV Nat. Gas	*	009184F	625438	Decal Membrane, Controls
10	003899F	52201	Gas Valve, MV Propane	38	005291F	604961	Switch, Decal
10	003900F	52200	Gas Valve, IID Nat. Gas	40	800307	NLA	Obsolete- Control Panel (Use #31b)
10	004306F	604733	Gas Valve, IID Propane	42	600525B	604701	Pilot, MV Nat. Gas
11	006706F	52521	Inlet/Outlet Header, Plastic	42	600575B	604700	Pilot, MV Propane
11	006827F	613719	Inlet/Outlet Header, Complete	43	002003F	52610	Pilot, IID Nat. Gas & Propane
12	006707F	52522	Return Header, Plastic	44	003901F	604699	Pilot Orifice, MV Nat. Gas
13	006713F	52528	Gasket, Header	44	003902F	604698	Pilot Orifice, MV Propane
14 Tube Bundles			for Plastic Headers (Residential)	45	003903F	613722	Pilot Orifice, IID Nat. Gas
	006708F	52523	R185	45	004308F	604697	Pilot Orifice, IID Propane
	006709F	52524	R265	46	600019B	52615	Pilot Generator, MV
	006710F	52525	R335	47	306693	604696	Mounting Bracket, MV Pilot
	006711F	52526	R405	48	306692	604694	Mounting Bracket, IID Pilot
60 Tube Bundles			for Cast Iron Headers (ASME)	49	062996	604559	Lighter Tube, MV
	006732F	604589	R185 ASME	50	004078F	625443	Pilot Tube
	006733F	604592	R265 ASME	51	002663B	605204	Hi Tension Wire, IID
	006734F	604591	R335 ASME	52	005282F	52590	Refractory (Left & Right)
	006735F	604590	R405 ASME	53	005283F	52591	Refractory (Front & Rear) 185
15	006712F	605184	Bolt, Header	53	005284F	52592	Refractory (Front & Rear) 265
16	006721F	52537	Drain Plug, Header	53	005285F	52593	Refractory (Front & Rear) 335
17A	006719F	52535	Unitherm Governor	53	005286F	52594	Refractory (Front & Rear) 405
17B	006720F	52536	Plug, Governor	54	006696	50757	Indoor Stack 185
18a	006722F	605178	Header Dam	54	006697	50758	Indoor Stack 265
18b	006714F	52529	Adapter, Valve	54	006698	625539	Indoor Stack 335
19	062235B	604709	Bypass Valve	54	006699	50760	Indoor Stack 405
20	850253	604707	Spring, Valve				
22	006714F	52529	Sensor Well, IID				
22	006805F	605183	Sensor Well, MV				
24	006723F	52539	Union 2"				
25	006724F	625421	O-Ring, Union				
26	005264F	54551	Drain Plug, Cover				

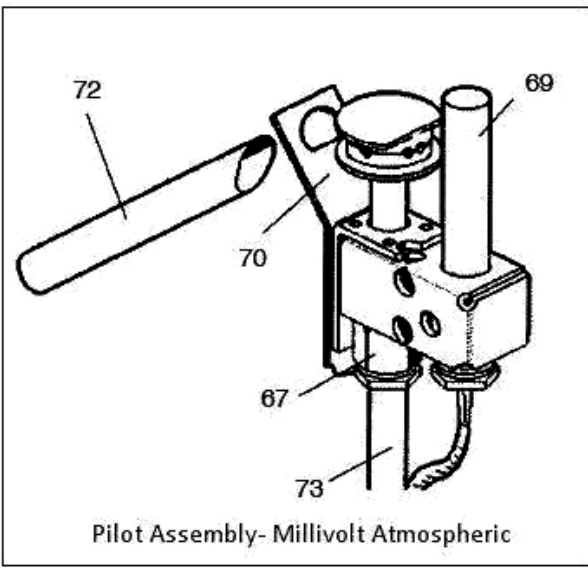
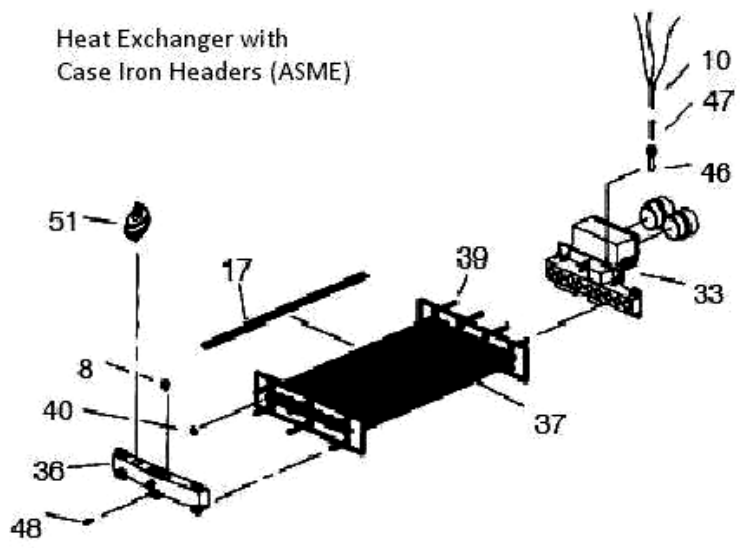
Key	Part#	Sku	Description
61	006730F	52545	Inlet Outlet Header, Metal (ASME)
62	002450F	52323	Return Header, Metal (ASME)
63	005392F	604496	Tube, Pressure Switch
64	062237B	52684	Pressure Switch (Metal Headers)
65	600893B	52348	High Limit 140°F (Black)
66	800014B	52157	Gasket, Header
67	003765F	604705	Sensor Well
68	300203	605135	Clip, Sensor Well
69	006701F	52515	Temp. Sensor, IID (2-Wire)
70	003766F	604976	Inlet/Outlet Flange
71	062236B	52155	Gasket, Flange 1-1/2"
71	800080B	52156	Gasket, Flange 2"
72	600892B	52347	High Limit 135°F (Red)
73	850252	604708	Spring, Bypass Valve 185
73	850253	604707	Spring, Bypass 265-405
74	062235B	604709	Bypass Valve
75	850254	604710	Spring, Governor
76	062234B	52920	Unitherm Governor
77	005260F	604570	Baffles (8pk) R185A
77	005261F	604568	Baffles (8pk) R265A
77	005262F	604567	Baffles (8pk) R335A
77	005263F	604566	Baffles (8pk) R405A
78	008091F	52555	Air Release Valve (Optional)185
78	007224F	604704	Air Release Valve (Optional)265-405



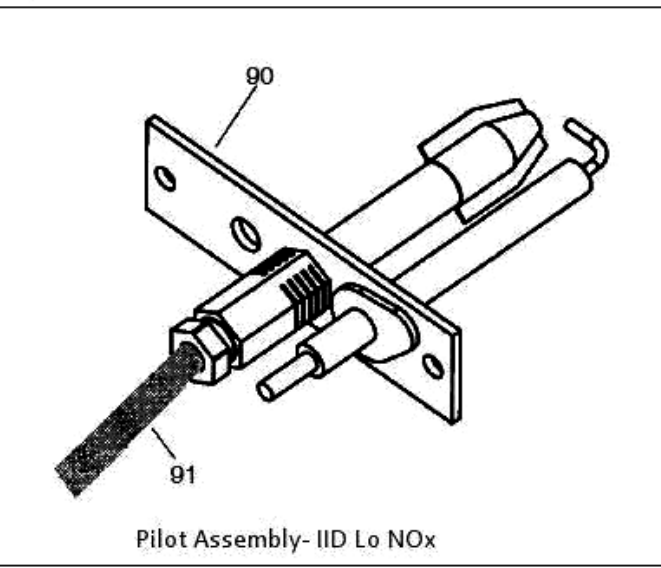
Key	Part#	SKU	Description	Key	Part#	SKU	Description
1a Burner Tray with Burners					010366F	625606	Cupro-Nickel R366A
	010391F	625571	R206A		010367F	625609	Cupro-Nickel R406A
	010392F	625577	R266A	16b Tube Bundle Only for Metal Headers (ASME)			
	010393F	625593	R366A		010055F	625594	Copper R206A
	010394F	625588	R406A		006733F	604592	Copper R266A
1b Burner Tray Only					010057F	625597	Copper R366A
	010421F	625548	R206A		010058F	625599	Copper R406A
	010422F	625552	R266A		010368F	625596	Cupro-Nickel R206A
	010423F	625561	R366A		010369F	625602	Cupro-Nickel R266A
	010424F	625568	R406A		010370F	625604	Cupro-Nickel R366A
2 Burner Hold Down Kit					010371F	625608	Cupro-Nickel R406A
	010415F	625445	R206A	17a	010038F	625474	Baffle Kit (8pk) R206A
	010416F	625460	R266A	17b	005261F	604568	Baffle Kit (8pk) R266A
	010417F	625483	R366A	17c	010040F	625511	Baffle Kit (8pk) R336A
	010418F	625490	R406A	17d	010041F	625516	Baffle Kit (8pk) R406A
3	301210	604736	Burner (Single)	18	008259F	625416	Nut, Flange
4	350078F	625402	Burner Orifice, Nat. Gas Sea Level	19	006713F	52528	O-Ring, Flange
4	350083F	604734	Burner Orifice, Propane Sea Level	34	003766F	604976	Flange, Inlet/Outlet
7	600892B	52347	High Limit 135°F	35a	062236B	52155	Gasket, 1-1/2" Flange
8	600893B	52348	High Limit 140°F	35b	800080B	52156	Gasket, 2" Flange
9	010253F	52516	PC Board	39	007870F	625433	Bolt Kit, Heat Exchanger
10a	003346F	604063	Thermostat Control	40	800014B	52157	Gasket, Header
10b	009577F	625478	Temp. Sensor (IID Models)	41	062234B	52920	Unitherm Governor
12a	003898F	52202	Gas Valve, MV Nat. Gas	42	850254	604710	Retainer Spring, Governor
12b	003899F	52201	Gas Valve, MV Propane	43	062235B	604709	Bypass Valve
12c	003900F	52200	Gas Valve, IID Nat. Gas	44a	850252	604708	Spring, Valve R206A
12d	004306F	604733	Gas Valve, IID Propane	44b	820253	604707	Spring, Valve R266A-R406A
13a Heat Exchanger with Plastic Headers (Res.)				46	003765F	604705	Well, Sensor
	010043F	625611	Copper R206A	47	300203	605135	Retaining Clip, Sensor Well
	010044F	625612	Copper R266A	48a	005264F	54551	Drain Plug
	010045F	625614	Copper R366A	48b	006721F	52537	Drain Valve, 1/4"
	010046F	625617	Copper R406A	49	006736F	52552	Transformer 24V
	010356F	625620	Cupro-Nickel R206A	51a	006737F	52554	Pressure Switch 1.75 PSI
	010357F	625625	Cupro-Nickel R266A	51b	009133F	625473	Pressure Switch 11 PSI
	010358F	625627	Cupro-Nickel R366A	50	009493F	625418	Rocker Switch
	010359F	625630	Cupro-Nickel R406A	52	005899F	605097	Thermal Fuse
13b Heat Exchanger with Metal Headers (AMSE)				55	008091F	52555	Pressure Release Valve, 125 PSI
	010051F	625615	Copper R206A	*	010386F	625498	Wire Harness, MV
	006727F	52542	Copper R266A	*	009490F	625524	Wire Harness, IID
	010053F	625621	Copper R366A	59	009489F	625499	Control Bezel, MV
	010054F	625622	Copper R406A	60	009858F	625411	Decal
	010360F	625619	Cupro-Nickel R206A	61	009491F	625529	Control Bezel
	010361F	65624	Cupro-Nickel R266A	62	009492F	625456	Decal, Switch
	010362F	625626	Cupro-Nickel R366A	63	009487F	625424	Cover, Bezel
	010363F	625629	Cupro-Nickel R406A	64	010350F	625423	Gasket, Top
14a	006706F	52521	In/Out Headers, Plastic	76	010088F	625537	Refractory (Left & Right)
14b	006730F	52545	In/Out Headers, Metal (ASME)	77		CALL	Refractory
15a	006707F	52522	Return Header, Plastic	78		CALL	Retainer, Refractory
15b	006731F	625535	Header, Cast Iron (ASME)	80	9505	625487	POOLSTAT Cover & Lock
16a Tube Bundle Only for Plastic Headers (Res.)				81a	010321F	625449	Control Panel R206A
	010059F	625586	Copper R206A	81b	010322F	625444	Control Panel R266A
	010060F	625589	Copper R266A	81c	010323F	625452	Control Panel R366A
	010061F	625590	Copper R366A	81d	010324F	625454	Control Panel R406A
	010062F	625595	Copper R406A	82a		CALL	Indoor Stack
	010364F	625598	Cupro-Nickel R206A	82b		CALL	Outdoor Stack
	010365F	625600	Cupro-Nickel R266A	83	010342F	625427	Shield, High Limit



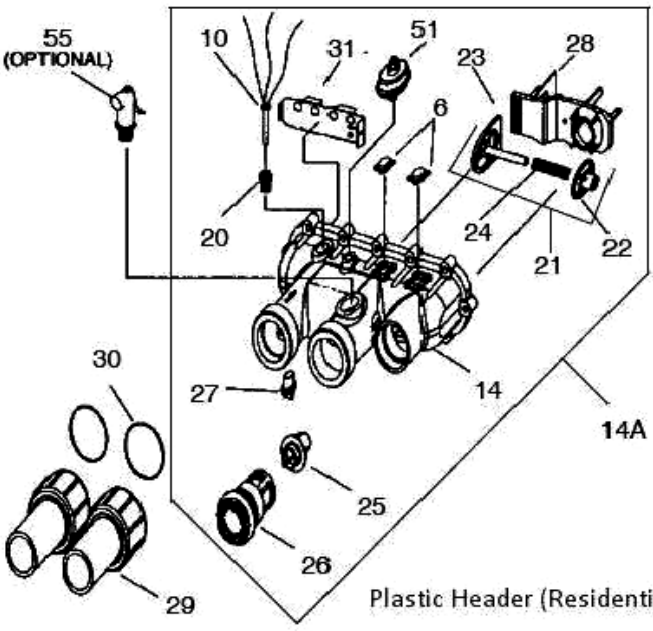
Cast Iron Headers (ASME)



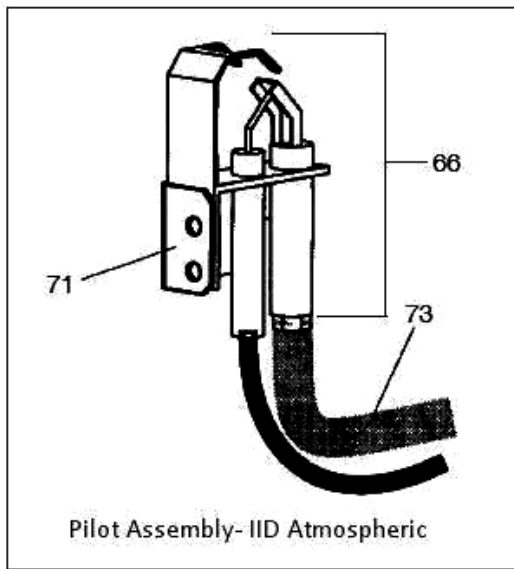
Pilot Assembly- Millivolt Atmospheric



Pilot Assembly- IID Lo NOx

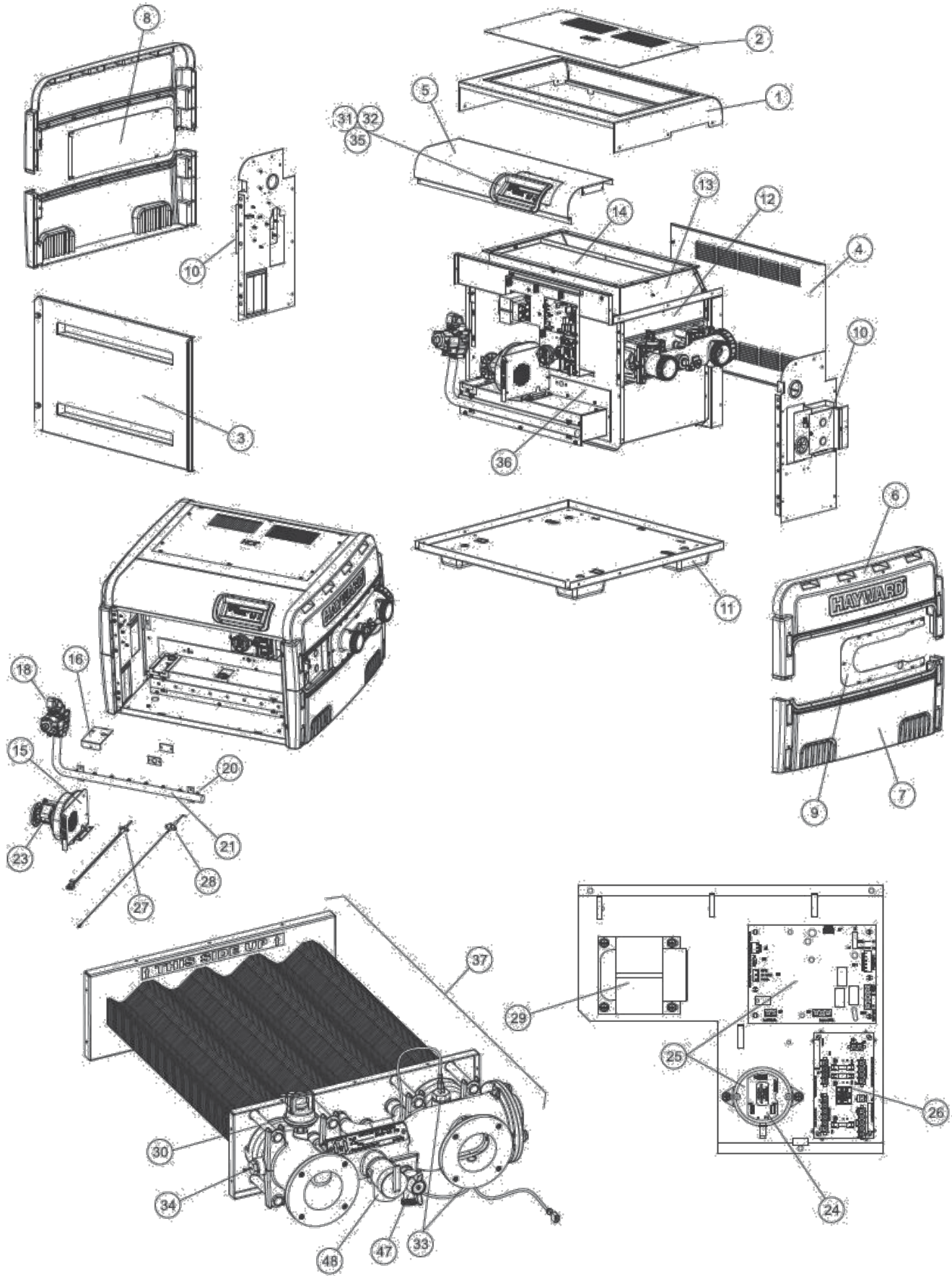


Plastic Header (Residential)



Pilot Assembly- IID Atmospheric

Key	Part#	Sku	Description	Key	Part#	Sku	Description
1a Burner Tray with Burners				15a	006707F	52522	Return Header, Plastic
	010343F	625575	R207A	15b	006731F	625535	Return Header, Cast Iron (ASME)
	010344F	625579	R267A	16a Tube Bundle for Plastic Headers			
	010345F	625587	R337A		010059F	625586	Copper R207A
	010346F	625592	R407A		010060F	625589	Copper R227A
1b Burner Tray Only					010061F	625590	Copper R337A
	010084F	625559	R207A		010062F	625595	Copper R407A
	010085F	625562	R267A		010364F	625598	Cupro-Nickel R207A
	010086F	625574	R337A		010365F	625600	Cupro-Nickel R227A
	010087F	625580	R407A		010366F	625606	Cupro-Nickel R337A
2 Burner Hold Down Kit					010367F	625609	Cupro-Nickel R407A
	010254F	625489	R207A	17a	010038F	625474	Baffle Kit (8pk) R207A
	010255F	625500	R267A	17b	005261F	604568	Baffle Kit (8pk) R267A
	010256F	625507	R337A	17c	010040F	625511	Baffle Kit (8pk) R337A
	010257F	625522	R407A	17d	010041F	625516	Baffle Kit (8pk) R407A
3	310732	625461	Single Burner	18	008259F	625416	Nut, Flange
4	351510	625404	Burner Orifice, Nat. Gas, Sea Level	19	006713F	52528	O-Ring, Flange
5	010871F	625405	Cooling Fan	20	008784F	625417	Relay
6	010042F	625560	Blower	34	003766F	604976	Flange, Inlet/Outlet
7 Combustion Air Plate				35a	062236B	52155	Gasket, 1-1/2" Flange
	010338F	625412	R207A	35b	800080B	52156	Gasket, 2" Flange
	010339F	625413	R267A	39	007870F	625433	Bolt Kit, Heat Exchanger
	010340F	625414	R337A	40	800014B	52157	Gasket, Header
	010341F	625415	R407A	41	062234B	52920	Unitherm Governor
8	010348F	625420	Sample Tube, Blower Switch	42	850254	604710	Retainer Spring, Governor
9	010253F	52516	PC Board	43	062235B	604709	Bypass Valve
11 Blower Pressure Switch				44a	850252	604708	Spring, Valve R206A
	008062F	625741	R207A	44b	820253	604707	Spring, Valve R266A-R406A
	008135F	625472	R267A	46	003765F	604705	Well, Sensor
	010354F	625468	R337A	47	300203	605135	Retaining Clip, Sensor Well
	010355F	625469	R407A	48a	005264F	54551	Drain Plug
12	010329F	625558	Gas Valve, IID Nat. Gas	48b	006721F	52537	Drain Valve, 1/4"
13a Heat Exchanger with Plastic Headers (Res.)				49	006736F	52552	Transformer 24V
	010043F	625611	Copper R207A	52	006035F	625442	Thermal Fuse
	010044F	625612	Copper R227A	*	010347F	625525	Wire Harness, IID
	010045F	625614	Copper R337A	60	009493F	625418	Rocker Switch
	010046F	625617	Copper R407A	61	009491F	625529	Control Bezel
	010356F	625620	Cupro-Nickel R207A	62	009492F	625456	Decal, Switch
	010357F	625625	Cupro-Nickel R227A	63	009487F	625424	Cover, Bezel
	010358F	625627	Cupro-Nickel R337A	64	010350F	625423	Gasket
	010359F	625630	Cupro-Nickel R407A	76	010079F	625549	Refractory (Left & Right)
14a	006827F	52521	Complete Header w/Gasket	77		CALL	Refractory
13b Heat Exchanger with Metal Headers (AMSE)				78		CALL	Retainer Kit, Refractory
	010051F	625615	Copper R206A	80	9505	625487	POOLSTAT Cover & Lock
	006727F	52542	Copper R266A	81a	010321F	625449	Control Panel R207A
	010053F	625621	Copper R366A	81b	010322F	625444	Control Panel R267A
	010054F	625622	Copper R406A	81c	010323F	625452	Control Panel R337A
	010360F	625619	Cupro-Nickel R206A	81d	010324F	625454	Control Panel R407A
	010361F	625624	Cupro-Nickel R266A	82a		CALL	Indoor Stack
	010362F	625626	Cupro-Nickel R366A	82b		CALL	Outdoor Stack
	010363F	625629	Cupro-Nickel R406A	83	010342F	625427	Shield, High Limit
14b	006706F	52521	Inlet/Outlet Header, Plastic	90	010232F	625514	Pilot, IID Nat. Gas
14c	006730F	52545	In/Out Headers, Metal (ASME)	91	004078F	625443	Pilot Tube



Zodiac Heaters
Jandy LT & LX (2003-Current)

Key	Part#	Sku	Description	Key	Part#	Sku	Description
1a	R0326303	624656	Heat Exchanger, 250	44a	R0337000	614034	Igniter
1b	R0326305	624664	Heat Exchanger, 400	44b	R0386900	624518	Igniter, LO NOX
2a	R0326603	624644	Tube Assy., 250	45	R0329400	614035	Limit Switch, Exhaust
2b	R0326605	624654	Tube Assy., 400	51a	R0336200	624407	Wire Harness, 120V Plug
3a	R0334403	624419	Baffles (10pk), 250	51b	R0336300	624408	Wire Harness, 240V Plug
3b	R0334405	624454	Baffles (10pk), 400	52	R0336400	624437	Wire Harness, 15-Pin
4	R0326900	614021	Front Header	53	R0097800	605025	Terminal Block
5	R0327000	614022	Rear Header	54a	R0329600	614036	Temp. Control & Bezel
6	R0327100	614023	By-Pass Assy.	54b	R0350500	614037	Temp. Control w/Dual Controls
7	R0336700	614024	Gasket, By-Pass	55	R0334800	614038	Flame Sensor
8	R0327200	614025	Spring, By-Pass	55a	R0387000	624420	Flame Sensor, LO NOX
9	R0327300	617078	Union Kit	56	R0012200	52182	Fusible Link
10	R0337600	624377	O-ring, Union	57	R0330600	624470	Cover, Temp. Control
11	R0335900	614027	Drain Plug w/Gasket	58	R0337200	NLA	Obsolete- Bracket
12a	R0327500	614026	Gasket, Header	59	R0336100	624417	Pressure Release Valve
12b	R0327600	624509	Hardware Kit & Gaskets	60	R0397500	624544	Circuit Board, Power Dist.
14a	R0327703	624549	Burner Tray, 250	61 Burner Trays (LO NOX)			
14b	R0327705	624522	Burner Tray, 400		R0386203	624624	Nat. Gas 250 Low Alt.
15	L0052300	52040	Main Burner		R0386205	624631	Nat. Gas 400 Low Alt.
16a	R0327803	624521	Gas Manifold, 250		R0394703	624628	Nat. Gas 250
16b	R0327805	624524	Gas Manifold, 400		R0394705	624632	Nat. Gas 400
17a	R0327900	624461	Orifice, Nat. Gas (0-3K FT)		R0394803	624627	Nat. Gas 250 High Alt.
17b	R0328100	624463	Orifice, Nat. Gas (6K-9K FT)		R0394805	624633	Nat. Gas 400 High Alt.
17c	R0328200	624459	Orifice, Propane (0-5K FT)		R0394503	624625	Propane 250 Low Alt.
17d	R0328300	624460	Orifice, Propane (5K-10K FT)		R0394505	624634	Propane 400 Low Alt.
18	R0331800	624451	Bracket, Anti-Rotation		R0394603	624626	Propane 250 High Alt.
19a	R0336800	614028	Gas Valve, Nat. Gas		R0394605	624635	Propane 400 High Alt.
19b	R0336900	614029	Gas Valve, Propane	62	R0386400	624477	Burner Only (No Orifice)
20a	R0331703	624458	Flue Collector, 250	63 Manifold (LO NOX)			
20b	R0331705	624497	Flue Collector, 400		R0395003	624565	Nat. Gas 250 Low Alt.
21	R0329800	624605	Blower Assy.		R0395005	624574	Nat. Gas 400 Low Alt.
22	R0329900	624381	Gasket, Blower		R0394303	624561	Nat. Gas 250
27	R0061100	52885	Transformer 115-220V/24V		R0394305	624757	Nat. Gas 400
28	R0330900	624395	Wire Harness		R0394403	624562	Nat. Gas 250 High Alt.
29	R0302000	624511	Pressure Switch, Blower		R0394405	624576	Nat. Gas 400 High Alt.
30	R0011800	52333	Temperature Sensor		R0394103	624563	Propane 250 Low Alt.
31	E0116400	608588	Gasket, Thermistor		R0394105	624577	Propane 400 Low Alt.
32	10444900	604872	Protector Sleeve		R0394203	624564	Propane 250 High Alt.
33	10447300	604828	Retainer, Sensor		R0394205	624578	Propane 400 High Alt.
34	F0009100	609078	Screw, Retainer	64a	R0386600	624569	Gas Valve, Nat. Gas LO NOX
35a	R0408100	604860	Ignition Control (Repl# R0328800)	64b	R0336900	614029	Gas Valve, Propane LO NOX
35b	R0386800	624587	Ignition Control, LO NOX	Wire Harness (Not Shown)			
37	R0013200	604393	Pressure Switch, 2 PSI		R0329500	624383	Wire Harness, Complete (Pre-2004)
38	R0334600	614033	Siphon Loop		R0397600	624546	Wire Harness, Complete (2004-)
40	R0022700	52355	High Limit Switch, 135°F		R0330900	624395	Wire Harness, Transformer
41	R0023000	52352	High Limit Switch 150°F		R0331000	624396	Wire Harness, Ignition Control
42	R0334700	624427	Wire Harness, High Limit		R0331100	624394	Wire Harness, Gas Valve
43	R0336500	624371	Retainer Plate (2-pk)		R0331200	624429	Wire Harness, Safety Loop

